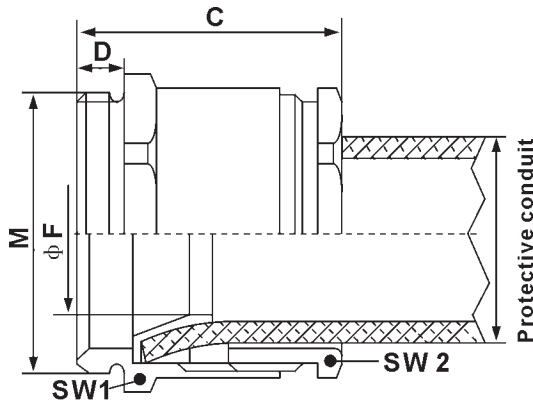


Protective conduit system made of metal

NASCM

Conical conduit connector

Assembly, with compression and conical rings, is simple and fast and also provides good strain relief.

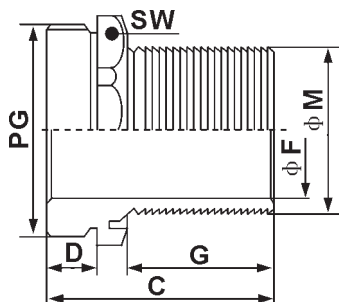


Technical Data	Protection class	Material
NASCM	IP 50	Brass, nickel-plated

Connection thread M	Cat. No	Function thread PG	Thread Length D	Boring	Overall length C mm	Wrench Size 1/2mm	Packing unit (pieces)
12×1.5	NASCMNN-12	7	5	6	20.5	14/13	50
16×1.5	NASCMNN-16	9	5	8	21.5	18/15	50
20×1.5	NASCMNN-20	11	6	10	23	22/18	50
25×1.5	NASCMNN-25	21	7	13	26.5	30/22	25

NBSCM

Strain relief is increased in this product by a lock nose attached on the gland support. The deepening in the hexagonal collar aids on the installation of the conduit end. And the recess for the O-ring on the lower part of the gland improves the sealing on the assembly surface.



Technical Data	Material
NBSCM	Body : Brass, nickel-plated O - seal ring : Perbunan

Size M	Cat. No	Outside - ϕ Conduit installation	L mm	SW mm	C mm	D mm	Packing unit (pieces)
16/1×1.5	NBSCMNN-16/1	10.3	8	19	25	8	25
20/1×1.5	NBSCMNN-20/1	14.3	12	22	25	8	25

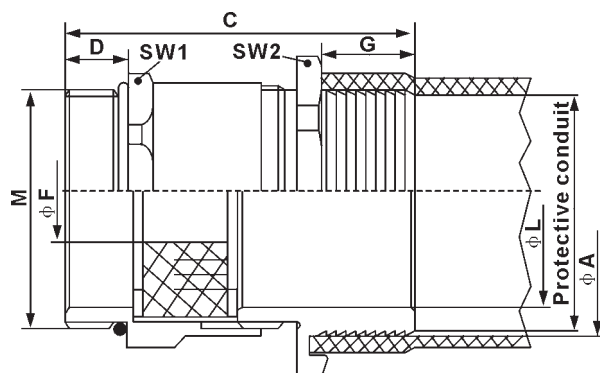
Assignment Conduit - Conduit Gland

Protective conduit system made of metal

NCSCM

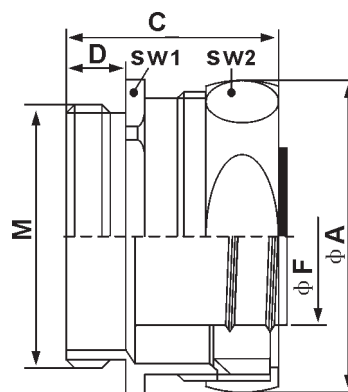
Conduit clamp - gland with inside sealing and metric connection thread in accordance to EN 50262

Special ribs are formed on the coupling spigot, over which the conduit is pushed, which considerably increases the strain relief. The end of the conduit is positioned in a recess in the hexagon. A recess on the lower part of the connector to take the O-ring increases the seal at the assembly surface.



NDSCM

This conduit fitting is made from brass, and provides a secure locking of conduits and screw connection. It is made to fulfill the needs to reliability and resists vibration and tension.



Technical Data	Temperature range	Protection class	Material
NCSCM	-40°C to +100°C	IP 66	Body : Nickel plated brass Sealing ring : TPE
NDSCM	-25°C to +100°C	IP 66	Body : Nickel plated brass O-ring : Perbunan

Connection thread M	Cat. No	Function thread PG	Outer diameter conduit seat	Wrench size 1/2mm	D mm	Boring	C mm	Packing unit (pieces)
M16×1.5	NCSCMNN-16	9	10	19/18	5	8	39	50
M20×1.5	NCSCMNN-20	11	14	22/22	6	12	39.6	50
M25×1.5	NCSCMNN-25	21	24	32/30	7	20	48	25
M32×1.5	NCSCMNN-32	29	30	40/40	8	27	53.6	25
M40×1.5	NCSCMNN-40	36	38	52/50	8	34	61.6	10
M50×1.5	NCSCMNN-50	42	48	57/57	9	41	68.6	5
M63×1.5	NCSCMNN-63	48	50	64/66	10	46	71.6	5

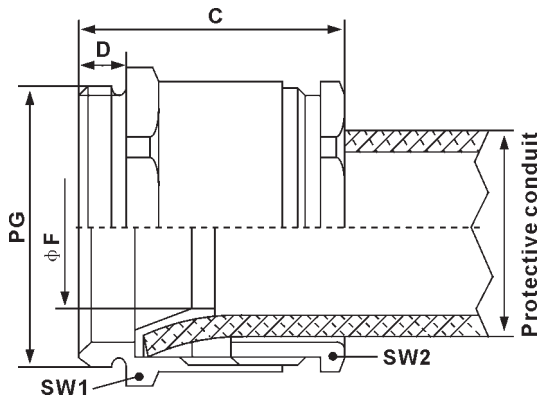
NDSCM

Connection thread M	Cat. No	Wrench size 1/2mm	D mm	Boring mm	C mm	Packing unit (pieces)
M10×1.5	NDSCMNN-10	15/17	10	Depends on inserted bush	31	50
M12×1.5	NDSCMNN-12	19/21	10	Depends on inserted bush	33	50
M16×1.5	NDSCMNN-16	23/25	10	Depends on inserted bush	33	50
M20×1.5	NDSCMNN-20	27/29	10	Depends on inserted bush	33	50
M25×1.5	NDSCMNN-25	34/36	11	Depends on inserted bush	41	25
M32×1.5	NDSCMNN-32	43/45	13	Depends on inserted bush	43	25
M40×1.5	NDSCMNN-40	52/54	13	Depends on inserted bush	43	20
M50×1.5	NDSCMNN-50	63/66	14	Depends on inserted bush	49	10

Protective conduit system made of metal

NASCP

Assembly, with compression and conical rings, is simple and fast and also provides good strain relief.

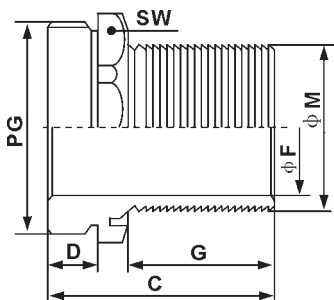


Technical Data	Protection class	Material
NASCP	IP 50	Brass, nickel-plated

Type PG Size	Cat. No	Diameter F mm	Thread Length D	Overall length C mm	Wrench Size mm	Packing unit (pieces)
PG 7	NASCPNN - 7	7	5	16	13/14	50
PG 9	NASCPNN - 9	9	6	19.4	15/17	50
PG 11	NASCPNN - 11	11	6	22.7	18/20	50
PG 13.5	NASCPNN- 13.5	13.5	6.5	25	20/22	25
PG 16	NASCPNN - 16	21	6.5	27.3	22/24	25

NBSCP

Strain relief is increased in this product by a lock nose attached on the gland support. The deepening in the hexagonal collar aids on the installation of the conduit end. And the recess for the O-ring on the lower part of the gland improves the sealing on the assembly surface.



Technical Data	Material
NBSCP	Body : Brass, nickel-plated O - seal ring : Perbunan

Type PG Size	Cat. No	Outer diameter conduit accepting	L mm	Wrench size mm	C mm	D mm	Packing unit (pieces)
PG 9	NBSCPNN-9	10.3	8	19	39	6	100
PG 11	NBSCPNN-11	14.3	12	22	39.5	6	50
PG 13.5	NBSCPNN-13.5	18.3	15.5	25	43	6.5	50
PG 16	NBSCPNN-16	22.3	19	30	44	6.5	25
PG 21	NBSCPNN-21	24.3	21	32	48	7	25
PG 29	NBSCPNN-29	30.3	27	40	53.5	8	25
PG 36	NBSCPNN-36	38.3	34	52	61.5	9	10
PG 42	NBSCPNN-42	45.3	41	57	68.5	10	5
PG 48	NBSCPNN-48	50.3	46	64	71.5	10	5

Assignment Conduit - Conduit Gland

Protective conduit system made of metal

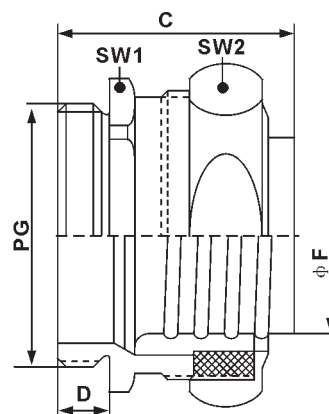
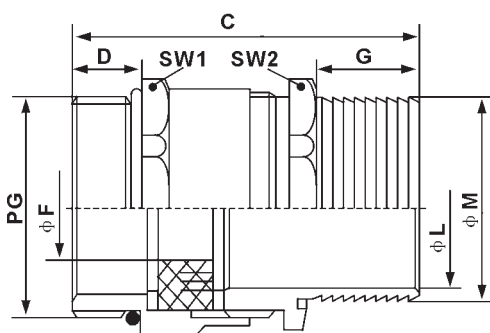
NCSCP

The cable inserted into this conduit connector is tightly sealed to resist oil, moisture, dust, and chemical by the neoprene sealing ring. It provides good strain relief, and can be assembled easily.



NDSCP

This conduit fitting is made from brass, and provides a secure locking of conduits and screw connection. It is made to fulfill the needs to reliability and resists vibration and tension.



Technical Data	Temperature range	Protection class	Material
NCSCP	-40°C to +100°C	IP 66	Body : Nickel plated brass O- ring : Perbunan
NDSCP	-25°C to +100°C	IP 66	Metal parts : Nickel plated brass

Type PG Size	Cat . No	L mm	Outer diameter conduit	Wrench size mm	D mm	C mm	Packing unit (pieces)
PG 9	NCSCPNN-9	8	10.3	17/19	6	39	50
PG 11	NCSCPNN-11	12	14.3	20/22	6	39.5	50
PG 13.5	NCSCPNN-13.5	15.5	18.3	22/25	6.5	43	50
PG 16	NCSCPNN-16	19	22.3	24/30	6.5	44	25
PG 21	NCSCPNN-21	21	24.3	30/33	7	48	25
PG 29	NCSCPNN-29	27	30.3	40/40	8	53.5	25
PG 36	NCSCPNN-36	34	38.3	50/52	9	61.5	10
PG 42	NCSCPNN-42	41	45.3	54/57	10	68.5	5
PG 48	NCSCPNN-48	46	50.3	64/64	10	71.7	5

NDSCP

Type PG Size	Cat . No	SW 1/2mm	D mm	F mm	C mm	Packing unit (pieces)
PG 7	NDSCPNN-7	15/17	7	9.5	28	50
PG 9	NDSCPNN-9	19/21	7	11.5	30	50
PG 11	NDSCPNN-11	23/25	7	15.5	30	50
PG 13.5	NDSCPNN-13.5	25/27	7	17	30	50
PG 16	NDSCPNN-16	27/29	7	19	30	50
PG 21	NDSCPNN-21	34/36	10	24	40	25
PG 29	NDSCPNN-29	43/45	10	32.5	40	25
PG 36	NDSCPNN-36	52/54	10	42	40	25
PG 48	NDSCPNN-48	63/77	10	55	45	10