

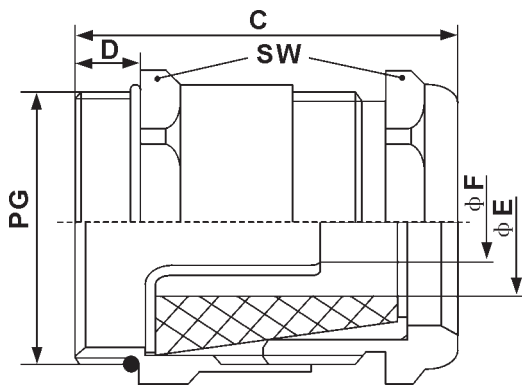
EMC / EARTHING

RISCP

This gland comes with earthing bush and conical seal . It allows screened cables to be earthed in a simple manner . The conical seal keeps out dust , moisture , and grease . With a correctly matched cable , protection class of IP 68 can be attained . There are a few things to watch for :

- 1.The diameter of the inner sheath of the cable should be matched to be opening of the earthing bush .
- 2.The diameter of the outer sheath of the cable should be matched to the opening of the conical seal .

Please refer to the following table for the matching of the glands to cables .



Technical Data	Temperature range	Protection class	Material
RISCP	-20°C to +80°C	IP 65 - IP 68	Body : Nickel plated brass Earthing brush : Bright Brass Cone : Neoprene O-ring : Perbunan

Type / Size	Cat . No	Inner sheath ϕ mm min . / max .	Outer sheath ϕ mm min . / max .	C mm	D mm	Wrench Size mm
9/9/6/3.2	RISCPNN-9/9/6/3.2	2.2/3.2	4/5.8	28.5	6	17
9/9/7/3.2	RISCPNN-9/9/7/3.2	2.2/3.2	5/6.8	28.5	6	17
9/9/6/3.6	RISCPNN-9/9/6/3.6	2.6/3.6	4/5.8	28.5	6	17
9/9/7/3.6	RISCPNN-9/9/7/3.6	2.6/3.6	5/6.8	28.5	6	17
11/11/9/4.5	RISCPNN-11/11/9/4.5	3.5/4.5	5/6.8	31	6	20
11/11/9/4.5	RISCPNN-11/11/9/4.5	3.5/4.5	6.8/8.8	31	6	20
13.5/9/9/5	RISCPNN-13.5/9/9/5	3.5/5	6.8/8.8	32.5	5.5	22
13.5/11/9/5	RISCPNN-13.5/11/9/5	3.5/5	6.8/8.8	32.5	5.5	22
13.5/13.5/9/5	RISCPNN-13.5/13.5/9/5	3.5/5	6.8/8.8	37	6	22
13.5/9/9/6	RISCPNN-13.5/9/9/6	4.5/6	6.8/8.8	32.5	5.5	22
13.5/11/9/6	RISCPNN-13.5/11/9/6	4.5/6	6.8/8.8	32.5	5.5	22
13.5/13.5/9/6	RISCPNN-13.5/13.5/9/6	4.5/6	6.8/8.8	37	6	22
13.5/9/11/7	RISCPNN-13.5/9/11/7	5.5/7	8.5/10.8	32.5	5.5	22
13.5/11/11/7	RISCPNN-13.5/11/11/7	5.5/7	8.5/10.8	32.5	5.5	22
13.5/13.5/11/7	RISCPNN-13.5/13.5/11/7	5.5/7	8.5/10.8	37	6	22
16/11/11/8	RISCPNN-16/11/11/8	6/8	8.5/10.8	35	5.5	24
16/13.5/11/8	RISCPNN-16/13.5/11/8	6/8	8.5/10.8	35.5	6	24
16/16/11/8	RISCPNN-16/16/11/8	6/8	8.5/10.8	37.5	6	24
16/11/13/9	RISCPNN-16/11/13/9	7/9	10.8/12.8	35	5.5	24
16/13.5/13/9	RISCPNN-16/13.5/13/9	7/9	10.8/12.8	35.5	6	24
16/16/13/9	RISCPNN-16/16/13/9	7/9	10.8/12.8	37.5	6	24
16/11/13/10	RISCPNN-16/11/13/10	8/10	10.8/12.8	35	5.5	24

Brass cable glands

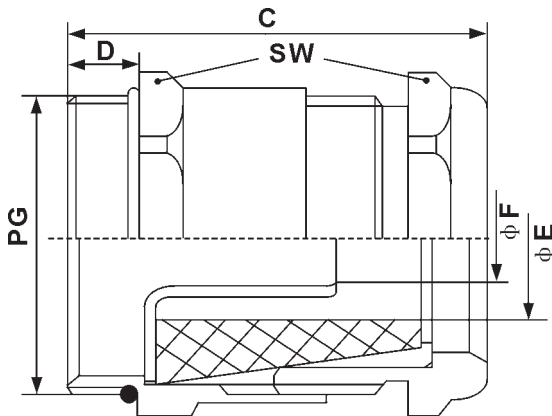
EMC / EARTHING

RISCP

This gland comes with earthing bush and conical seal . It allows screened cables to be earthed in a simple manner . The conical seal keeps out dust , moisture , and grease . With a correctly matched cable , protection class of IP 68 can be attained . There are a few things to watch for :

- 1.The diameter of the inner sheath of the cable should be matched to be opening of the earthing bush .
- 2.The diameter of the outer sheath of the cable should be matched to the opening of the conical seal .

Please refer to the following table for the matching of the glands to cables .



Technical Data	Temperature range	Protection class	Material
RISCP	-20°C to +80°C	IP 65 - IP 68	Body : Nickel plated brass Earthing brush : Bright Brass Cone : Neoprene O-ring : Perbunan

Type / Size	Cat . No	Inner sheath ϕ mm min . / max .	Outer sheath ϕ mm min . / max .	C mm	D mm	Wrench Size mm
16/13.5/13/10	RISCPNN- 16/13.5/13/10	8/10	10.8/12.8	35	5.5	24
16/16/13/10	RISCPNN- 16/16/13/10	8/10	10.8/12.8	35.5	6	24
16/11/15/11	RISCPNN- 16/11/15/11	8/10	10.8/12.8	37.5	6	24
16/13.5/15/11	RISCPNN- 16/13.5/15/11	9/11	12/14.8	35	5.5	24
16/16/15/11	RISCPNN- 16/16/15/11	9/11	12/14.8	35.5	6	24
21/16/16/12	RISCPNN- 21/16/16/12	9/11	12/14.8	37.5	6	24
21/21/16/12	RISCPNN- 21/21/16/12	10/12	14/15.8	38.5	6.5	30
21/16/16/13	RISCPNN- 21/16/16/13	10/12	14/15.8	43.5	7	30
21/21/16/13	RISCPNN- 21/21/16/13	11/13	14/15.8	38.5	6.5	30
21/16/18/14	RISCPNN- 21/16/18/14	11/13	14/15.8	43.5	7	30
21/21/18/14	RISCPNN- 21/21/18/14	12/14	15.8/17.8	38.5	6.5	30
21/16/18/15	RISCPNN- 21/16/18/15	12/14	15.8/17.8	43.5	7	30
21/21/18/15	RISCPNN- 21/21/18/15	13/15	15.8/17.8	38.5	6.5	30
21/16/20/16	RISCPNN- 21/16/20/16	13/15	15.8/17.8	43.5	7	30
21/21/20/16	RISCPNN- 21/21/20/16	14/16	17.5/19.8	38.5	6.5	30
29/29/22/17	RISCPNN- 29/29/22/17	14/16	17.5/19.8	43.5	7	30
29/29/22/18	RISCPNN- 29/29/22/18	15/17	19.5/21.8	47.5	8	40
29/29/22/18	RISCPNN- 29/29/22/18	16/18	19.5/21.8	47.5	8	40
29/29/24/19	RISCPNN- 29/29/24/19	17/19	21.5/23.8	47.5	8	40
29/29/24/20	RISCPNN- 29/29/24/20	18/20	21.5/23.8	47.5	8	40
29/29/26/19	RISCPNN- 29/29/26/19	17/19	23.5/25.8	47.5	8	40
29/29/26/21	RISCPNN- 29/29/26/21	19/21	23.5/25.8	47.5	8	40

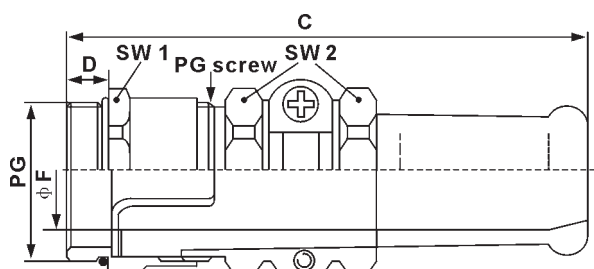
EMC / EARTHING

RJSCP

This earthing gland provides great earthing , low cost , easy assembly , good protection , and strain relief all in one package .

Assembly instruction is as follows :

1. Remove the cable sheath and braiding .
2. Fit the upper part of the gland and the neoprene bushing over the outer sheath . Bend the end of the braiding upwards and push the earthing bush under the braiding .
3. Feed the centre section over the cable end and screw it to the upper part . Tighten the screws .



Technical Data	Temperature range	Protection class	Material
RJSCP	-20°C to +80°C	IP 65	Body : Nickel plated brass Earthing brush : Bright brass O-ring : Perbunan

Type / Size	Cat . No	Inner sheath ϕ mm min . / max .	Outer sheath ϕ mm min . / max .	C mm	D mm	Wrench Size 1 / 2mm
13.5/9/9/6	RJSCPNN-13.5/9/9/6	4.5/6	7.5/9	60	5.5	22/22
13.5/9/11/7	RJSCPNN-13.5/9/11/7	5.5/7	9/11	60	5.5	22/22
13.5/11/9/6	RJSCPNN-13.5/11/9/6	4.5/6	7.5/9	60	5.5	22/22
13.5/11/11/7	RJSCPNN-13.5/11/11/7	5.5/7	9/11	60	5.5	22/22
13.5/13.5/9/6	RJSCPNN-13.5/13.5/9/6	4.5/6	7.5/9	60	6.5	22/22
13.5/13.5/11/7	RJSCPNN-13.5/13.5/11/7	5.5/7	9/11	60	6.5	22/22
16/11/13/9	RJSCPNN-16/11/13/9	7/9	11/13	65	5.5	24/24
16/11/13/10	RJSCPNN-16/11/13/10	8/10	11/13	65	5.5	24/24
16/11/15/11	RJSCPNN-16/11/15/11	9/11	13/15	65	5.5	24/24
16/13.5/13/9	RJSCPNN-16/13.5/13/9	7/9	11/13	67	6	24/24
16/13.5/13/10	RJSCPNN-16/13.5/13/10	8/10	11/13	67	6	24/24
16/13.5/15/11	RJSCPNN-16/13.5/15/11	9/11	13/15	67	6	24/24
16/16/13/9	RJSCPNN-16/16/13/9	7/9	11/13	65	6.5	24/24
16/16/13/10	RJSCPNN-16/16/13/10	8/10	11/13	65	6.5	24/24
16/16/15/11	RJSCPNN-16/16/15/11	9/11	13.5/15	65	6.5	24/24

Brass cable glands

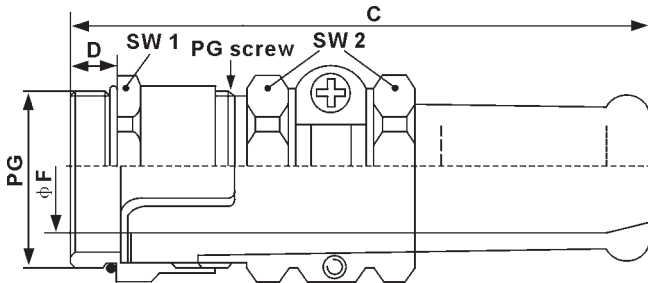
EMC / EARTHING

RJSCP

This earthing gland provides great earthing , low cost , easy assembly , good protection , and strain relief all in one package .

Assembly instruction is as follows :

1. Remove the cable sheath and braiding .
2. Fit the upper part of the gland and the neoprene bushing over the outer sheath . Bend the end of the braiding upwards and push the earthing bush under the braiding .
3. Feed the centre section over the cable end and screw it to the upper part . Tighten the screws .



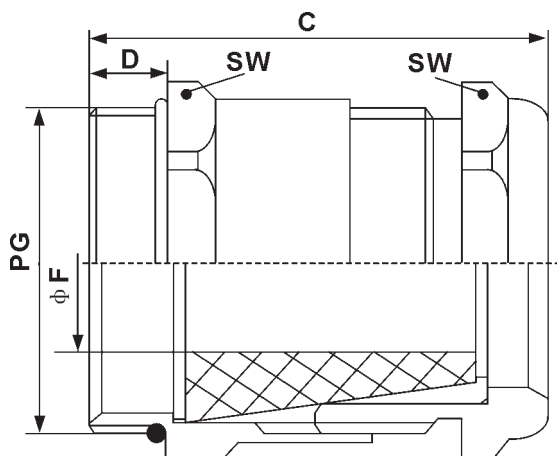
Technical Data	Temperature range	Protection class	Material
RJSCP	-20°C to +80°C	IP 65	Body : Nickel plated brass Earthing brush : Bright brass O-ring : Perbunan

Type / Size	Cat . No	Inner sheath ϕ mm min . / max .	Outer sheath ϕ mm min . / max .	C mm	D mm	Wrench Size 1 / 2mm
21/16/15/12	RJSCPNN-21/16/15/12	10/12	13.5/15	78	6.5	30/30
21/16/17/14	RJSCPNN-21/16/17/14	12/14	15/17	78	6.5	30/30
21/16/19/15	RJSCPNN-21/16/19/15	13/15	17/19	78	6.5	30/30
21/16/20/16	RJSCPNN-21/16/20/16	14/16	18/20	78	6.5	30/30
21/21/15/12	RJSCPNN-21/21/15/12	10/12	13/15	78	7	30/30
21/21/17/14	RJSCPNN-21/21/17/14	12/14	15/17	78	7	30/30
21/21/19/15	RJSCPNN-21/21/19/15	13/15	17/19	78	7	30/30
21/21/20/16	RJSCPNN-21/21/20/16	14/16	18/20	78	7	30/30
29/19/20/17	RJSCPNN-29/19/20/17	20/17	15/17	40/41	90	18/20
29/19/23/19	RJSCPNN-29/19/23/19	23/19	17/19	40/41	90	21/23
36/36/26/22	RJSCPNN-36/36/26/22	20/22	23.5/26	109	9	50/50
36/36/30/24	RJSCPNN-36/36/30/24	22/24	27/30	109	9	50/50
36/36/30/26	RJSCPNN-36/36/30/26	24/26	27/30	109	9	50/50
36/36/33/28	RJSCPNN-36/36/33/28	26/28	30/33	109	9	50/50
36/36/35/30	RJSCPNN-36/36/35/30	28/30	32/35	109	9	50/50

SPECIAL SEALINGS

RKSCP

This gland with conical seal is waterproof up to 10 bars of pressure . The sealing element covers the entire gland and thus gives excellent resistance to pressure and provides good strain relief . It is also designed so that assembly would be a easy .



Technical Data	Temperature range	Protection class	Material
RKSCP	-20°C to +80°C	IP 65	Body : Nickel plated brass Earthing bush : Bright brass O-ring : Perbunan

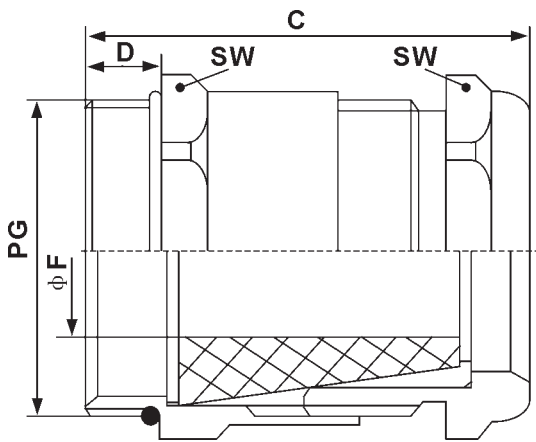
Type / Size	Cat. No	Clamping range φ mm	SW mm	C mm	D mm	Packing unit (pieces)
7/7/5	RKSCPNN-7/7/5	3.8-4.8	14	26.0	5	50
9/9/6	RKSCPNN-9/9/6	4.8-5.8	17	28.5	6	50
9/9/7	RKSCPNN-9/9/7	5.8-6.8	17	28.5	6	50
11/11/7	RKSCPNN-11/11/7	5.8-6.8	20	31.0	6	25
11/11/9	RKSCPNN-11/11/9	6.8-8.8	20	31.0	6	25
13.5/9/9	RKSCPNN-13.5/9/9	6.5-8.8	22	33	6.5	25
13.5/9/11	RKSCPNN-13.5/9/11	8.5-10.8	22	33	6.5	25
13.5/11/9	RKSCPNN-13.5/11/9	6.8-8.8	22	33	6.5	25
13.5/11/11	RKSCPNN-13.5/11/11	8.5-10.8	22	33	6.5	25
13.5/13.5/9	RKSCPNN-13.5/13.5/9	6.8-8.8	22	33	6.5	25
13.5/13.5/11	RKSCPNN-13.5/13.5/11	8.5-10.8	22	33	6.5	25
16/11/11	RKSCPNN-16/11/11	8.5-10.8	24	35	6.5	25
16/11/13	RKSCPNN-16/11/13	10.8-12.8	24	35	6.5	25
16/11/15	RKSCPNN-16/11/15	13.8-14.8	24	35	6.5	25
16/13.5/11	RKSCPNN-16/13.5/11	8.5-10.8	24	35	6.5	25

Brass cable glands

■ SPECIAL SEALINGS

● RKSCP

This gland with conical seal is waterproof up to 10 bars of pressure . The sealing element covers the entire gland and thus gives excellent resistance to pressure and provides good strain relief . It is also designed so that assembly would be a easy .



Technical Data	Temperature range	Protection class	Material
RKSCP	-20°C to +80°C	IP 65	Body : Nickel plated brass Earthing bush : Bright brass O-ring : Perbunan

Type / Size	Cat . No	Clamping range φ mm	SW mm	C mm	D mm	Packing unit (pieces)
16/13.5/11	RKSCPNN-16/13.5/11	10.8-12.8	24	35	6.5	25
16/13.5/15	RKSCPNN-16/13.5/15	13.8-14.8	24	35	6.5	25
16/16/11	RKSCPNN-16/16/11	8.5-10.8	24	35	6.5	25
16/16/13	RKSCPNN-16/16/13	10.8-12.8	24	35	6.5	25
16/16/15	RKSCPNN-16/16/15	13.8-14.8	24	35	6.5	25
21/16/16	RKSCPNN-21/16/16	13.3-15.6	30	40	7	25
21/16/18	RKSCPNN-21/16/18	15.8-17.8	30	38	7	25
21/16/20	RKSCPNN-21/16/20	17.5-19.8	30	38	7	25
21/21/16	RKSCPNN-21/21/16	14.8-15.8	30	38	7	25
21/21/18	RKSCPNN-21/21/18	15.8-17.8	30	38	7	25
21/21/20	RKSCPNN-21/21/20	17.5-19.8	30	38	7	25
29/29/22	RKSCPNN-29/29/22	19.5-21.8	40	44.5	8	10
29/29/24	RKSCPNN-29/29/24	21.8-23.8	40	44.5	8	10
29/29/26	RKSCPNN-29/29/26	23.8-25.8	40	44.5	8	10

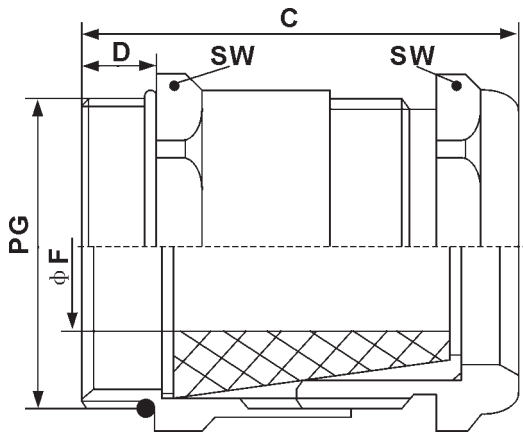
SPECIAL SEALINGS

RLSCP

With sealing cone of Viton ,
compression water-proof , 10 bar

Special compression water-proof gland to meet maximum quality requirements . The conical special sealing element of Viton guarantees extensive sealing , which in turns helps achieve excellent resistance under pressure and strain-relief .

The Viton sealing cone demonstrates outstanding resistance to oils and biological oils , solvents and chemicals at high temperatures up to 200°C .



Technical Data	Temperature range	Protection class	Material
RLSCP	-15°C up to +200°C	IP 68 - 10 bar	Body : Nickel plated brass Cone : Viton O-ring : Viton

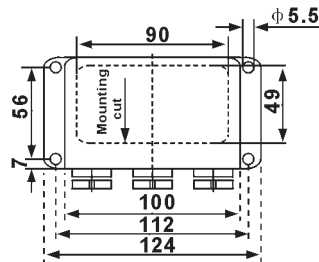
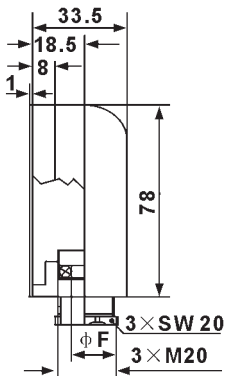
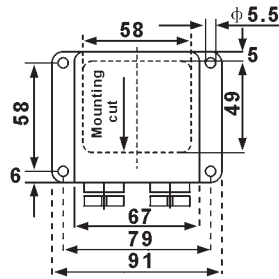
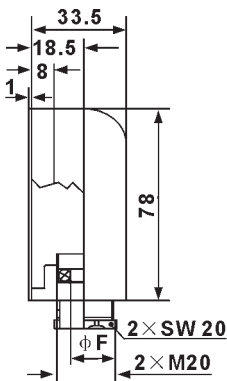
Type	Cat. No	Clamping range ϕ mm	C mm	D mm	Wrench Size mm	Packing unit (pieces)
7/7/5	RLSCPNN -7/7/5	3.8-4.8	26	5	14	50
9/9/6	RLSCPNN -9/9/6	4.8-5.8	28.5	6	17	50
9/9/7	RLSCPNN -9/9/7	5.8-6.8	28.5	6	17	50
11/11/7	RLSCPNN -11/11/7	5.8-6.8	31	6	20	25
11/11/9	RLSCPNN -11/11/9	6.8-8.8	31	6	20	25
13.5/9/11	RLSCPNN -13.5/9/11	8.5-10.8	33	6.5	22	25
13/11/9	RLSCPNN -13/11/9	6.8-8.8	33	6.5	22	25
13.5/11/11	RLSCPNN -13.5/11/11	8.5-10.8	33	6.5	22	25
13.5/13.5/9	RLSCPNN -13.5/13.5/9	6.8-8.8	33	6.5	22	25
13.5/13.5/11	RLSCPNN -13.5/13.5/11	8.5-10.8	33	6.5	22	25
16/11/13	RLSCPNN -16/11/13	10.8-12.8	35	6.5	24	25
16/13.5/13	RLSCPNN -16/13.5/13	10.8-12.8	35	6.5	24	25
16/16/13	RLSCPNN -16/16/13	10.8-12.8	35	6.5	24	25
16/16/15	RLSCPNN -16/16/15	13.8-14.8	35	6.5	24	25
21/21/18	RLSCPNN -21/21/18	15.8-17.8	38	7	30	25
21/21/20	RLSCPNN -21/21/20	17.5-19.8	38	7	30	25
29/29/22	RLSCPNN -29/29/22	19.5-21.8	44.5	8	40	10

Brass cable glands

ANGLE

RVHCP

This product features a low profile, allowing its use in confined spaces. It accepts two or three cables, while still remain impermeable to water and oil. The cables would then be lead through a single opening. It provides very secure protection even with its low profile design and in confined spaces. It can be combined with many special glands, and the protection class would depend on the gland it is being used in conjunction with. However, the standard design is at least IP 55.



Technical Data	Temperature range	Protection class	Material
RVHCP	-20°C to +80°C	IP 55	Body : Aluminium ; hammered lacquer finish Compression screw : Nickel - plated brass Pre - cut sealing ring : Neoprene Flat seal : SBR

Type PG size	Cat . No	Holes in the indented sealing ring mm	Packing unit (pieces)
PG 216	RVHCPNN - 216	8.5/11.5/14.5/17.5	1
PG 316	RVHCPNN - 316	23/26/29/32	1