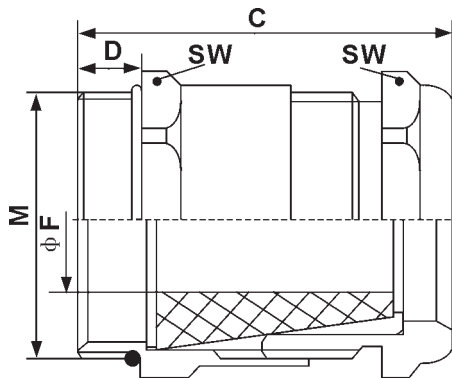


# Brass cable glands

## SPECIAL SEALINGS

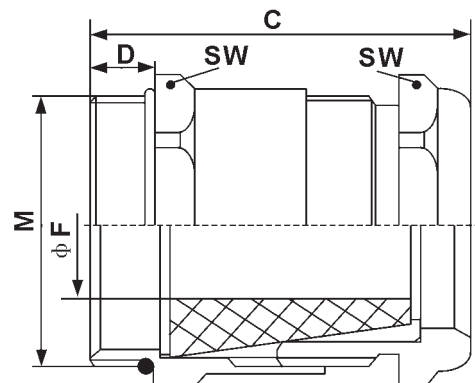
### RKSCM

This gland comes with a conical seal, and is waterproof up to around 10 bars of pressure. The seal element is pulled through the entire gland, providing great resistant to compression and good strain relief.



### RLSCM

with sealing cone of viton, pressurized water-proof 10 bar  
Pressurized water-proof special gland for highest quality requirements. The conical special seal of Viton ensures an extended sealing. Thus an excellent compression strength and strain relief is achieved. The Viton sealing cone is resistant against bio oils, solvents, chemicals at increased temperatures up to 200°C.



Technical Data	Temperature range	Protection class	Material
RKSCM RLSCM	-20°C to +80°C -15°C to +200°C	IP 68 - 10 bar	Body : Nickel plated brass Bush : Neoprene O-ring : Perbunan

Connection thread M	Cat. No	Inner thread PG	Inner diameter sealing cone	C mm	D mm	Clamping range F mm	Wrench Size 1/2 SW mm	Packing unit (pieces)
M12×1.5	RKSCMNN-12	7	5	26.0	5	3.0-4.8	14/14	50
M16×1.5	RKSCMNN-16	9	6	26.5	5	4.5-5.8	18/17	50
M20×1.5	RKSCMNN-20	11	7	31.0	6	6.0-6.8	22/20	25
M25×1.5	RKSCMNN-25	21	16	38.5	7	13.5-15.8	30/30	25
M32×1.5	RKSCMNN-32	29	22	42.5	8	17.5-21.8	40/40	10

Connection thread M	Cat. No	Inner thread PG	Inner diameter sealing cone	C mm	D mm	Clamping range F mm	Packing unit (pieces)	Wrench Size 1/2 SW mm
M12×1.5	RLSCMNN-12	7	5	26.0	5	3.5-4.5	50	14/14
M16×1.5	RLSCMNN-16	9	6	27.5	5	4.0-5.5	50	18/17
M20×1.5	RLSCMNN-20	11	7	31.0	6	5.5-6.5	25	22/20
M25×1.5	RLSCMNN-25	21	18	38.0	7	15.0-17.0	25	30/30
M32×1.5	RLSCMNN-32	29	22	44.5	8	19.5-20.5	10	40/40

## SPECIAL SEALINGS

### RMSCM

Brass mini cable gland

To be used wherever there is less assembly space and for secure counting of cables (IP 68) with small cable diameters.

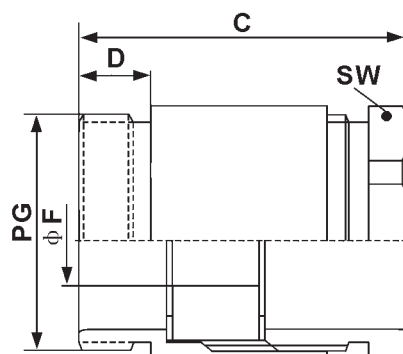
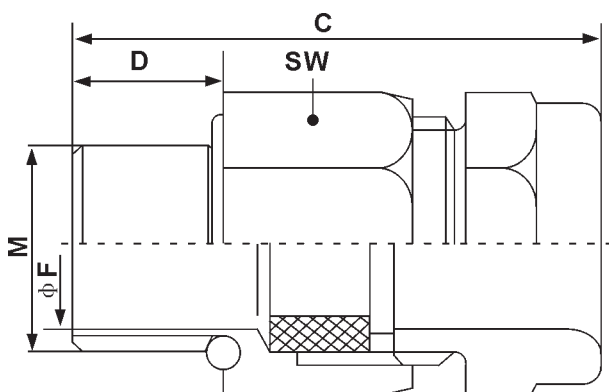
Owing to the special design, cables with a diameter from 2.0 to 5.5 mm can be mounted with only two gland sizes.



## PG CONNECTION THREAD

### RASCP

This connection thread is made of brass, featuring a round extension. It is consisted of 5 parts, including a two-part gland body, a neoprene sealing part, and two washers.



Technical Data	Temperature range	Protection class	Material
RMSCM RASCP	-30°C to +80°C -20°C to +100°C	IP 68 IP 54	Body : Nickel plated brass Seal insert : Neoprene

Connection thread M	Cat. No	C mm	D mm	Clamping range F mm	Wrench Size 1/2 SW mm	Packing unit (pieces)
M 6×1	RMSCMNN-6	19.5	5	2-3	9	50
M 8×1	RMSCMNN-8	20.5	5	3.5-5.5	11	50

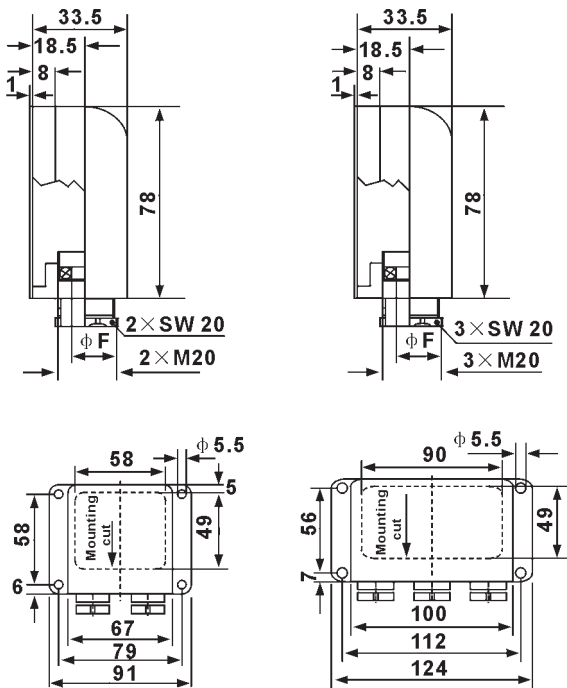
Connection thread PG	Cat. No	φ F	Wrench size 1 / 2 mm	D mm	C mm	Packing unit (pieces)
7	RASCPNN-7	5	13	5	20.6	100
9	RASCPNN-9	7	15	6	22.6	100
11	RASCPNN-11	9	18	6	23.6	50
13.5	RASCPNN-13.5	11	20	6.5	25.6	50
16	RASCPNN-16	13	22	7	26.6	50
21	RASCPNN-21	16	28	7	29.6	50
29	RASCPNN-29	25	37	8	32.6	50
36	RASCPNN-36	34	47	9	38.6	20
42	RASCPNN-42	38	54	10	43.6	10
48	RASCPNN-48	42	60	10	45.1	10

# Brass cable glands

## ANGLE

### RUHCM

This product features a low profile, allowing its use in confined spaces. It accepts two or three cables, while still remain impermeable to water and oil. The cables would then be lead through a single opening. It provides very secure protection even with its low profile design and in confined spaces. It can be combined with many special glands, and the protection class would depend on the gland it is being used in conjunction with. However, the standard design is at least IP 55.



Technical Data	Temperature range	Protection class	Material
RUHCM	-20°C to +80°C	IP 55	Compression screw : Nickel - plated brass Incision sealing ring : Neoprene ( CR ) O - ring : Perbunan (NBR )

Size M	Cat . No	Drills for indented seal ring	Packing unit (pieces)
20 × 1.5	RUHCMNN -20	2 × 4/7/10/13	1
32 × 1.5	RUHCMNN -32	3 × 4/7/10/13	1