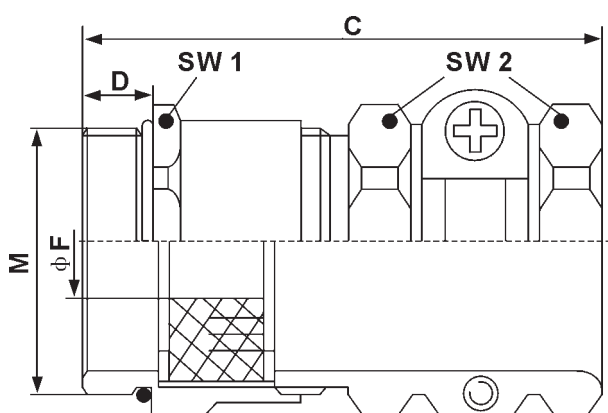


## Brass cable glands

### Strain relief / bending protection

#### RESCM RELCM

This gland comes with saddle clamp and adapter . It is made from nickel-plated brass , thus they are resistant to corrosion and seawater . The seal is consisted of neoprene ring and an O-ring fitted onto the connected thread . The brass saddle clamp allows effective strain relief .



Technical Data	Temperature range	Protection class	Material
RESCM RELCM	-20°C to +80°C	IP 55	Body : Nickel plated brass Sealing ring : Neoprene

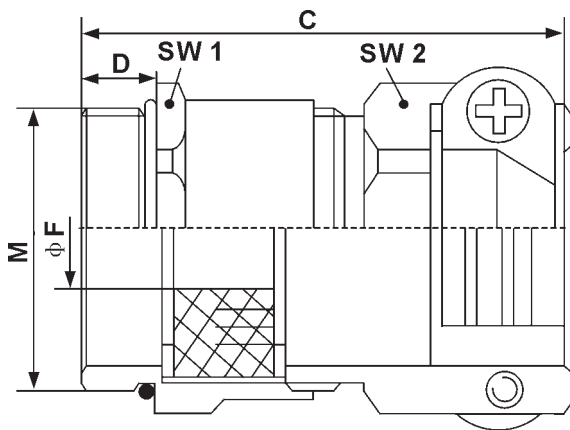
Connection thread M	Cat . No	Clamping range F mm	Thread Length D	Inner thread PG	Spanner Size 1/2 SW mm	C mm
<b>RESCM</b>						
M12×1.5	RESCMNN-12	5.5-6.5	5	7	14/15	30
M16×1.5	RESCMNN-16	5-8	5	9	18/17	33
M20×1.5	RESCMNN-20	8-12	6	11	22/20	35
M25×1.5	RESCMNN-25	14-19.3	7	21	22/20	47
M32×1.5	RESCMNN-32	19-27	8	29	39/41	53
M40×1.5	RESCMNN-40	27-34	8	36	50/50	60
M50×1.5	RESCMNN-50	35-43	9	42	57/57	65
M63×1.5	RESCMNN-63	40-47.5	10	48	66/64	68
<b>RELCM</b>						
M12×1.5	RELCMNN-12	5.5-6.5	10	7	14/15	35
M16×1.5	RELCMNN-16	5-8	10	9	18/17	38
M20×1.5	RELCMNN-20	8-12	10	11	22/20	39
M25×1.5	RELCMNN-25	14-19.3	11	21	22/20	51

## Strain relief / bending protection

### RFSCM

### RFLCM

This gland comes with saddle clamp and adapter . It comes with two brass braces for effective strain relief . The seal is consisted of neoprene ring and an O-ring fitted onto the connected thread . A wide clamping range is allowed by an arrangement of braces .



Technical Data	Temperature range	Protection class	Material
RFSCM	-20°C to +80°C	IP 55	Body : Nickel plated brass Sealing ring : Neoprene
RFLCM			

Connection thread M	Cat . No	Clamping range F mm	Thread Length D	Inner thread PG	Spanner Size 1/2 SW mm	C mm
RFSCM						
M16×1.5	RFSCMNN-16	5-8	5	9	18/17	29
M20×1.5	RFSCMNN-20	7-12	6	11	22/20	30
M25×1.5	RFSCMNN-25	16-19.3	7	21	30/30	41.0
M32×1.5	RFSCMNN-32	19-27	8	29	40/40	46.0
RFLCM						
M16×1.5	RFLCMNN-16	5-8	10	9	18/17	34.0
M20×1.5	RFLCMNN-20	7-12	10	11	22/20	34.0
M25×1.5	RFLCMNN-25	16-19.3	11	21	30/30	45.0
M32×1.5	RFLCMNN-32	19-27	13	21	40/40	51.0

# Brass cable glands

## Strain relief / bending protection

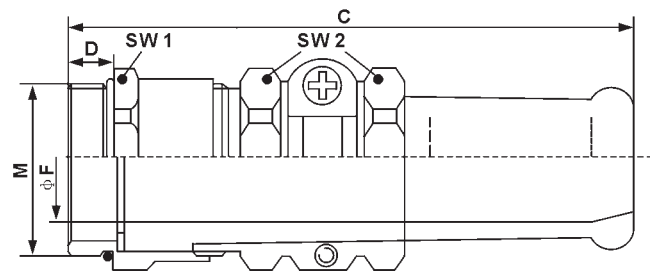
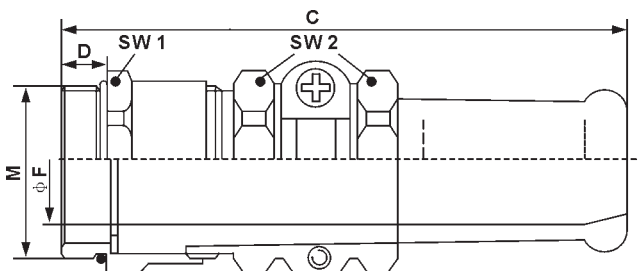
### RGSCM

with strain relief antikink for round cables  
An extremely rough and in many applications proved special cable gland . The neoprene bush fulfils two functions : antikink and high protection class due to the insert sealing . The nickel-plated brass offers a good strain relief .RGSCM is resistant against corrosion and seawater .



### RHSCM

with strain relief and antikink for round cables  
The Viton nozzles in the RHSCM are resistant against oils , solvents and chemicals at high temperatures . Our own reinforced acid-resistant Viton receptacle is especially suitable for machine and turbine manufacture . Temperatures up to 165°C do not result in aging effect after a long period . In addition , the nozzle seal and antikink offers higher protection . The large brass brace provides for good strain relief . The cable gland is resistant against corrosion and sea water



Technical Data	Temperature range	Protection class	Material
RGSCM	-20°C to +80°C	IP 55	Body : Nickel plated brass Sealing ring : Neoprene

Connection thread M	Cat . No	Clamping range F mm	Function thread PG	Thread Length D	Width seal	Spanner Size 1/2 SW mm	C mm
M12×1.5	RGSCMNN-12	4-5	7	5	5	14/15	49.0
M16×1.5	RGSCMNN-16	5.5-7	9	5	7	18/17	50.0
M20×1.5	RGSCMNN-20	5.5-7	11	6	7	22/20	55.0
M25×1.5	RGSCMNN-25	12.5-15	21	7	15	30/30	78.5
M32×1.5	RGSCMNN-32	19-20	29	8	20	40/41	90.5
M40×1.5	RGSCMNN-40	24-26	36	8	26	50/50	108.5
M50×1.5	RGSCMNN-50	31-34.5	42	9	35	57/57	111.0
M63×1.5	RGSCMNN-63	32-40	48	10	40	66/64	118.0

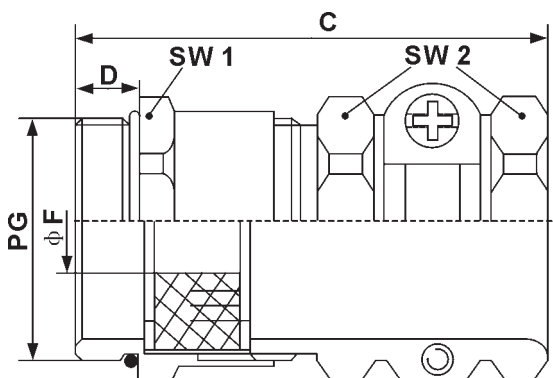
Technical Data	Temperature range	Protection class	Material
RHSCM	-15°C to +165°C	IP 65	Metal parts : Nickel plated brass O-Sealing ring : Viton antikink : Viton

Connection thread M	Cat . No	Clamping range F mm	Function thread PG	Thread Length D	Seal width	Spanner Size 1/2 SW mm	C mm
M20×1.5	RHSCMNN-20	5.5-7.0	11	6	7	22/20	56.0
M25×1.5	RHSCMNN-25	13.5-15.0	21	7	15	30/30	79.0

## Strain relief / bending protection

### RESCP RELCP

This gland comes with an extended center section, making it possible to extend its field of application for higher protection class. The seal is a sealing ring made from neoprene and a O-ring fitted to the connecting thread. It is manufactured to be robust and reliable. All parts are made from nickle-plated brass, and are resistant to corrosion and seawater.



Technical Data	Temperature range	Protection class	Material
RESCP	-20°C to +80°C	IP 55	Body : Nickel plated brass Sealing ring : Neoprene O-ring : Perbunan
RELCP			

Connection thread PG	Cat. No	Clamping range F mm	D mm	Max assembly diameter mm	Wrench Size 1/2 mm	C mm
<b>RESCP</b>						
7	RESCPNN-7	5-6	5	21	14/15	30
9	RESCPNN-9	7.5-8.5	6	25	17/17	34
11	RESCPNN-11	9.5-12	6	28	20/20	35
13.5	RESCPNN-13.5	12.5-14	6.5	32	22/22	40
16	RESCPNN-16	13.5-16	6.5	35	24/24	42
21	RESCPNN-21	15.5-21	7	46	30/30	47
29	RESCPNN-29	21.5-27.5	8	58	40/41	53
36	RESCPNN-36	27-34	9	70	50/50	61
42	RESCPNN-42	34-43	10	78	57/57	66
48	RESCPNN-48	38-48	10	86	64/64	68
<b>RELCP</b>						
7	RELCPNN-7	5-6	15	21	14/15	40
9	RELCPNN-9	7.5-8.5	15	25	17/17	43
11	RELCPNN-11	9.5-12	15	28	20/20	44
13.5	RELCPNN-13.5	12.5-14	15	32	22/22	48.5
16	RELCPNN-16	13.5-16	15	35	24/24	50.5
21	RELCPNN-21	15.5-21	15	46	30/30	55
29	RELCPNN-29	21.5-27.5	15	58	40/41	60
36	RELCPNN-36	27-34	15	70	50/50	67
42	RELCPNN-42	34-43	15	78	57/57	71
48	RELCPNN-48	38-48	15	86	64/64	73

## Brass cable glands

### Strain relief / bending protection

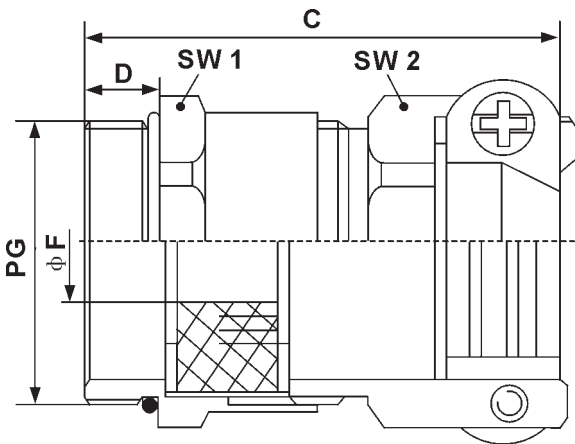
#### RFSCP

With double bracket and converter

Cable gland with 3-fold use ---certain strain relief , wider clamping range , additional seal .This RFSCP screw type cable gland is equipped with two solid brass clamping brackets ,which guarantee reliable strain relief . It has an additional converter and achieves the IP 55 protection type . Sealed with a precut sealing ring made of neoprene and the perbunan O-seal ring attached to the connection thread . For use in control panel , plugs and switches .

#### RFLCP

We also offer RFLCP with a 15 mm connection thread .



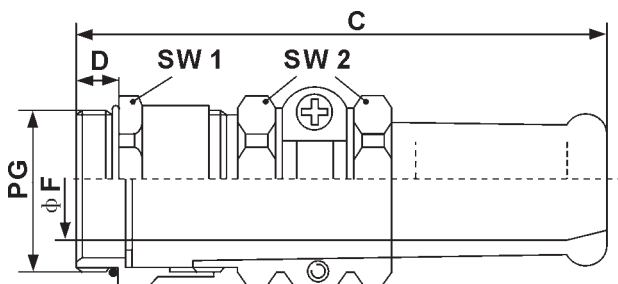
Technical Data	Temperature range	Protection class	Material
RFSCP RFLCP	-20°C to +80°C	IP 55	Body : Nickel plated brass Sealing ring : Neoprene O-ring : Perbunan

Connection thread PG	Cat . No	Clamping range F mm	D mm	Max assembly diameter mm	Wrench Size 1/2 mm	C mm	Packing unit (pieces)
<b>RFSCP</b>							
9	RFSCPNN-9	6-8.5	6	24	17/17	30	50
11	RFSCPNN-11	8-12	6	27	20/21	30	50
13.5	RFSCPNN-13.5	12-14	6.5	30	22/22	34	25
16	RFSCPNN-16	13-16	6.5	33	24/24	35	25
21	RFSCPNN-21	15-21	7	42	30/30	41	25
29	RFSCPNN-29	20-27.5	8	58	40/41	46	10
<b>RFLCP</b>							
9	RFLCPNN-9	6-8.5	15	24	17/17	39	50
11	RFLCPNN-11	8-12	15	27	20/21	39	50
13.5	RFLCPNN-13.5	12-14	15	30	22/22	42.5	25
16	RFLCPNN-16	13-16	15	33	24/24	43.5	25
21	RFLCPNN-21	15-21	15	42	30/30	49	25
29	RFLCPNN-29	20-27.5	15	58	40/41	53	10

## Strain relief / bending protection

### RGSCP

This gland is extremely robust and is suitable for a wide variety of applications. The neoprene bushing is a good seal device, and gives it a good bending protection, giving it a high protection class. The strain relief is provided by the brass clamping device. This cable gland is resistant to corrosion and seawater.



Technical Data	Temperature range	Protection class	Material
RGSCP	-20°C to +80°C	IP 65	Metal parts : Nickel plated brass O ring : Perbunan Bending protection : Neoprene flame resistant

Connection thread PG	Cat . No	Clamping range F mm	D mm	Max assembly diameter mm	Wrench Size 1/2 mm	C mm	Packing unit (pieces)
7/5	RGSCPNN-7/5	3.5-5	5	23	14/15	50	50
9/7	RGSCPNN-9/7	5.5-7	6	25	17/17	52	50
11/7	RGSCPNN-11/7	5.5-7	6	28	20/20	56	25
11/9	RGSCPNN-11/9	7.5-9	6	28	20/20	56	25
13/9	RGSCPNN-13/9	7.5-9	6.5	32	22/22	62	25
13/11	RGSCPNN-13/11	9-11	6.5	32	22/22	62	25
13/13	RGSCPNN-13/13	11-13	6.5	32	22/22	62	25
16/13	RGSCPNN-16/13	11.5-13	6.5	35	24/24	67	25
16/15	RGSCPNN-16/15	13-15	6.5	35	24/24	67	25
21/15	RGSCPNN-21/15	13.5-15	7	46	30/30	79	25
21/17	RGSCPNN-21/17	15-17	7	46	30/30	79	25
21/19	RGSCPNN-21/19	17-19	7	46	30/30	79	25
21/20	RGSCPNN-21/20	18-20	7	46	30/30	79	25
29/20	RGSCPNN-29/20	18-20	8	59	40/41	91	10
29/23	RGSCPNN-29/23	21-23	8	59	40/41	91	10
29/25	RGSCPNN-29/25	23-25	8	59	40/41	91	10
36/26	RGSCPNN-36/26	23-26	9	70	50/50	110	5
36/30	RGSCPNN-36/30	27-30	9	70	50/50	110	5
36/33	RGSCPNN-36/33	30-33	9	70	50/50	110	5
36/35	RGSCPNN-36/35	32-35	9	70	50/50	110	5
42/35	RGSCPNN-42/35	32-35	10	75	57/57	114	5
42/38	RGSCPNN-42/38	35-38	10	75	57/57	114	5
42/40	RGSCPNN-42/40	36-40	10	75	57/57	114	5
48/40	RGSCPNN-48/40	36-40	10	83	64/64	119	1
48/44	RGSCPNN-48/44	40-44	10	83	64/64	119	1

## Brass cable glands

### Strain relief / bending protection

#### RHSCP

with strain relief and protection for round cables RHSCP special cable glands are extremely robust and have proved themselves in thousands of applications. The Viton sleeve is extraordinarily resistant to oils, solvents and chemicals at high temperatures. Our specially developed Viton formulation with increased acid resistance is therefore particularly suitable for use in machine and turbine construction and in nuclear power stations. Even in the long, temperatures up to +165°C have no ageing effect on the mechanical properties. These glands also provide sealing and bending protection, together with a high protection class. The strain relief is provided by the solid brass clamping shackle. The cable gland is resistant to corrosion and to seawater.



### EMC / Earthing

#### RQSCP

with conical clamping ring ERKO

Assembly instructions :

Remove the braiding. Slide the compression screw over the cable end, bend the braiding at right angles upwards by about 4 to 6 mm and cut off all round. Place the two-part-conical damping ring around the braiding and hold it against the braiding with the compression screw. Working from the cable end, push the washer, the neoprene recessed sealing ring and the lower part against the conical ring and compression screw and screw them firmly together.



Technical Data	Temperature range	Protection class	Material
RHSCP	-15°C to +165°C	IP 65	Body : Nickel plated brass Sealing ring : Neoprene O-ring : Perbunan
RQSCP	-20°C to +80°C		

Connection thread PG	Cat. No	Clamping range F mm	Maximum assembly diameter mm	D mm	Wrench Size 1/2 mm	C mm	Packing unit (pieces)
11/07	RHSCPNN-11/07	5.5-7.0	28	6	20/20	56.0	25
11/09	RHSCPNN-11/09	7.5-9.0	28	6	20/20	56.0	25
13/09	RHSCPNN-13/09	7.5-9.0	32	6.5	22/22	62	25
13/11	RHSCPNN-13/11	9-11.0	32	6.5	22/22	62	25
13/13	RHSCPNN-13/13	11-13.0	32	6.5	22/22	62	25
16/13	RHSCPNN-16/13	11.5-13.0	35	6.5	24/24	67	10
16/15	RHSCPNN-16/15	13-15.0	35	6.5	24/24	67	10
21/15	RHSCPNN-21/15	13.5-15.0	40	7	30/30	79.0	10
21/17	RHSCPNN-21/17	15-17.0	46	7	30/30	79.0	10
21/19	RHSCPNN-21/19	17-19.0	46	7	30/30	79.0	10

Connection thread PG	Cat. No	Clamping range diameter over braiding mm	C mm	D mm	Wrench Size 1/2 mm	Packing unit (pieces)
11	RQSCPNN-11	7-8	25.3	5.5	20	25
13.5	RQSCPNN-13.5	10.1-11	26.3	6	22	25
16	RQSCPNN-16	14.1-15	28.0	6	24	25
21	RQSCPNN-21	17.1-18	30.5	7	30	10
29	RQSCPNN-29	22.1-23	33.3	8	40	10