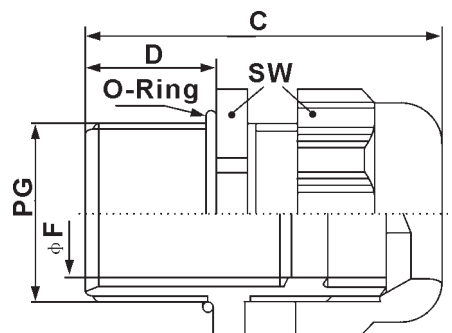


Plastic cable glands

Explosion proof

DDSPP

This cable gland is made of be used in areas where explosion might be a risk , requiring a class E security . It is also suitable to be used in the chemical and petrochemical industry . It is also safe from freeze and dynamic strain in temperatures of -20°C. It features trapezoidal thread , and is designed to stand distortion and vibration .



Technical Data	Temperature range	Protection class	Material	Standard colour
DDSPP	-20°C to +80°C	IP 68-5 bar	Body : Polyamide Sealing : EPDM	RAL 9005 black

Seal hole	Threaded entry PG	Cat .No	Clamping range mm	Wrench size mm	C mm	D mm	Packing unit pieces
	7	DDSPPNN-7	3-6.5	15	32	8	100
	9	DDSPPNN-9	4-8	19	36	8	100
	11	DDSPPNN-11	5-10	22	38	8	100
	13.5	DDSPPNN-13.5	6-12	24	41	9	100
	16	DDSPPNN-16	10-14	27	44	10	50
	21	DDSPPNN-21	13-18	32	49	11	50
	29	DDSPPNN-29	18-25	42	56	11	25
	36	DDSPPNN-36	22-32	53	66	13	10
	42	DDSPPNN-42	32-38	60	68	13	5
48	DDSPPNN-48	37-44	65	69	14	5	

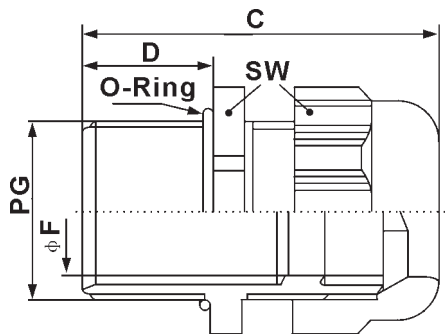
Seal hole	Threaded entry PG	Cat .No	Clamping range mm	Wrench size mm	C mm	D mm	Packing unit pieces
	7	DDSPPY2D-7	3-6.5	15	32	8	100
	9	DDSPPY2D-9	4-8	19	36	8	100
	11	DDSPPY2D-11	5-10	22	38	8	100
	13.5	DDSPPY2D-13.5	6-12	24	41	9	100
	16	DDSPPY2D-16	10-14	27	44	10	50
	21	DDSPPY2D-21	13-18	32	49	11	50
	29	DDSPPY2D-29	18-25	42	56	11	25
	36	DDSPPY2D-36	22-32	53	66	13	10
	42	DDSPPY2D-42	32-38	60	68	13	5
48	DDSPPY2D-48	37-44	65	69	14	5	

Seal hole	Threaded entry PG	Cat .No	Clamping range mm	Wrench size mm	C mm	D mm	Packing unit pieces
	7	DDSPPY3D-7	3-6.5	15	32	8	100
	9	DDSPPY3D-9	4-8	19	36	8	100
	11	DDSPPY3D-11	5-10	22	38	8	100
	13.5	DDSPPY3D-13.5	6-12	24	41	9	100
	16	DDSPPY3D-16	10-14	27	44	10	50
	21	DDSPPY3D-21	13-18	32	49	11	50
	29	DDSPPY3D-29	18-25	42	56	11	25
	36	DDSPPY3D-36	22-32	53	66	13	10
	42	DDSPPY3D-42	32-38	60	68	13	5
48	DDSPPY3D-48	37-44	65	69	14	5	

Explosion proof

DDSPP

This cable gland is made of be used in areas where explosion might be a risk , requiring a class E security . It is also suitable to be used in the chemical and petrochemical industry . It is also safe from freeze and dynamic strain in temperatures of -20°C. It features trapezoidal thread , and is designed to stand distortion and vibration .



Technical Data	Temperature range	Protection class	Material	Standard colour
DDSPP	-20°C to +80°C	IP 68-5 bar	Body : Polyamide Sealing : EPDM	RAL 9005 black

Seal hole	Threaded entry PG	Cat .No	Clamping range mm	Wrench size mm	C mm	D mm	Packing unit pieces
	7	DDSPPY4D-7	3-6.5	15	32	8	100
	9	DDSPPY4D-9	4-8	19	36	8	100
	11	DDSPPY4D-11	5-10	22	38	8	100
	13.5	DDSPPY4D-13.5	6-12	24	41	9	100
	16	DDSPPY4D-16	10-14	27	44	10	50
	21	DDSPPY4D-21	13-18	32	49	11	50
	29	DDSPPY4D-29	18-25	42	56	11	25
	36	DDSPPY4D-36	22-32	53	66	13	10
	42	DDSPPY4D-42	32-38	60	68	13	5
	48	DDSPPY4D-48	37-44	65	69	14	5

Seal hole	Threaded entry PG	Cat .No	Clamping range mm	Wrench size mm	C mm	D mm	Packing unit pieces
	7	DDSPPY5D-7	3-6.5	15	32	8	100
	9	DDSPPY5D-9	4-8	19	36	8	100
	11	DDSPPY5D-11	5-10	22	38	8	100
	13.5	DDSPPY5D-13.5	6-12	24	41	9	100
	16	DDSPPY5D-16	10-14	27	44	10	50
	21	DDSPPY5D-21	13-18	32	49	11	50
	29	DDSPPY5D-29	18-25	42	56	11	25
	36	DDSPPY5D-36	22-32	53	66	13	10
	42	DDSPPY5D-42	32-38	60	68	13	5
	48	DDSPPY5D-48	37-44	65	69	14	5

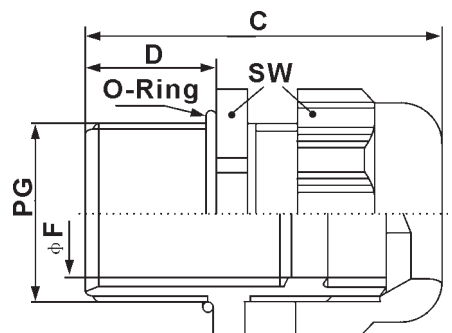
Seal hole	Threaded entry PG	Cat .No	Clamping range mm	Wrench size mm	C mm	D mm	Packing unit pieces
	7	DDSPPY6D-7	3-6.5	15	32	8	100
	9	DDSPPY6D-9	4-8	19	36	8	100
	11	DDSPPY6D-11	5-10	22	38	8	100
	13.5	DDSPPY6D-13.5	6-12	24	41	9	100
	16	DDSPPY6D-16	10-14	27	44	10	50
	21	DDSPPY6D-21	13-18	32	49	11	50
	29	DDSPPY6D-29	18-25	42	56	11	25
	36	DDSPPY6D-36	22-32	53	66	13	10
	42	DDSPPY6D-42	32-38	60	68	13	5
	48	DDSPPY6D-48	37-44	65	69	14	5

Plastic cable glands

Explosion proof

DDSPP

This cable gland is made of be used in areas where explosion might be a risk , requiring a class E security . It is also suitable to be used in the chemical and petrochemical industry . It is also safe from freeze and dynamic strain in temperatures of -20°C. It features trapezoidal thread , and is designed to stand distortion and vibration .



Technical Data	Temperature range	Protection class	Material	Standard colour
DDSPP	-20°C to +80°C	IP 68-5 bar	Body : Polyamide Sealing : EPDM	RAL 9005 black

Seal hole	Threaded entry PG	Cat .No	Clamping range mm	Wrench size mm	C mm	D mm	Packing unit pieces
	7	DDSPPY7D-7	3-6.5	15	32	8	100
	9	DDSPPY7D-9	4-8	19	36	8	100
	11	DDSPPY7D-11	5-10	22	38	8	100
	13.5	DDSPPY7D-13.5	6-12	24	41	9	100
	16	DDSPPY7D-16	10-14	27	44	10	50
	21	DDSPPY7D-21	13-18	32	49	11	50
	29	DDSPPY7D-29	18-25	42	56	11	25
	36	DDSPPY7D-36	22-32	53	66	13	10
	42	DDSPPY7D-42	32-38	60	68	13	5
	48	DDSPPY7D-48	37-44	65	69	14	5

Seal hole	Threaded entry PG	Cat .No	Clamping range mm	Wrench size mm	C mm	D mm	Packing unit pieces
	7	DDSPPY8D-7	3-6.5	15	32	8	100
	9	DDSPPY8D-9	4-8	19	36	8	100
	11	DDSPPY8D-11	5-10	22	38	8	100
	13.5	DDSPPY8D-13.5	6-12	24	41	9	100
	16	DDSPPY8D-16	10-14	27	44	10	50
	21	DDSPPY8D-21	13-18	32	49	11	50
	29	DDSPPY8D-29	18-25	42	56	11	25
	36	DDSPPY8D-36	22-32	53	66	13	10
	42	DDSPPY8D-42	32-38	60	68	13	5
	48	DDSPPY8D-48	37-44	65	69	14	5

Seal hole	Threaded entry PG	Cat .No	Clamping range mm	Wrench size mm	C mm	D mm	Packing unit pieces
	7	DDSPPLD-7	3-6.5	15	32	8	100
	9	DDSPPLD-9	4-8	19	36	8	100
	11	DDSPPLD-11	5-10	22	38	8	100
	13.5	DDSPPLD-13.5	6-12	24	41	9	100
	16	DDSPPLD-16	10-14	27	44	10	50
	21	DDSPPLD-21	13-18	32	49	11	50
	29	DDSPPLD-29	18-25	42	56	11	25
	36	DDSPPLD-36	22-32	53	66	13	10
	42	DDSPPLD-42	32-38	60	68	13	5
	48	DDSPPLD-48	37-44	65	69	14	5