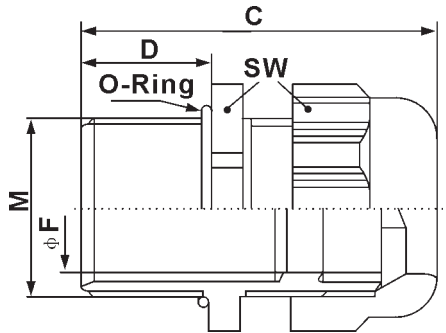


Metric connection thread

DBSPM

The cable gland is manufactured from polyamide. It features metric thread, and is very easy to assemble. It is intended for very general applications such as various electrical and mechanical equipments, controlling and automation, and manufacturing devices.



Technical Data	Temperature range	Protection class	Material	Standard colour
DBSPM	Static : -40°C to +100°C Dynamic : -20°C to +80°C	IP 68-5 bar	Body : Polyamide Sealing : Neoprene	RAL 7001 silver grey RAL 9005 black

Seal hole	Threaded entry M	Cat .No	Clamping range mm	Wrench size mm	C mm	D mm	Packing unit pieces
	M12×1.5	DBSPMNN-12	3.5-7	15	30	8	100
	M16×1.5	DBSPMNN-16	4.5-10	19	34	8	100
	M20×1.5	DBSPMNN-20	7-13	25	37	9	100
	M25×1.5	DBSPMNN-25	9-17	30	40	10	50
	M32×1.5	DBSPMNN-32	11-21	36	47	10	25
	M40×1.5	DBSPMNN-40	19-28	46	52	10	10
	M50×1.5	DBSPMNN-50	27-35	55	62	12	5
M63×1.5	DBSPMNN-63	34-45	66	71	12	5	

Seal hole	Threaded entry M	Cat .No	Clamping range mm	Wrench size mm	C mm	D mm	Packing unit pieces
	M12×1.5	DBSPMY2D-12	3.5-7	15	30	8	100
	M16×1.5	DBSPMY2D-16	4.5-10	19	34	8	100
	M20×1.5	DBSPMY2D-20	7-13	25	37	9	100
	M25×1.5	DBSPMY2D-25	9-17	30	40	10	50
	M32×1.5	DBSPMY2D-32	11-21	36	47	10	25
	M40×1.5	DBSPMY2D-40	19-28	46	52	10	10
	M50×1.5	DBSPMY2D-50	27-35	55	62	12	5
M63×1.5	DBSPMY2D-63	34-45	66	71	12	5	

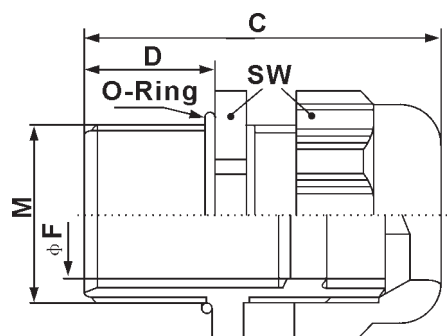
Seal hole	Threaded entry M	Cat .No	Clamping range mm	Wrench size mm	C mm	D mm	Packing unit pieces
	M12×1.5	DBSPMY3D-12	3.5-7	15	30	8	100
	M16×1.5	DBSPMY3D-16	4.5-10	19	34	8	100
	M20×1.5	DBSPMY3D-20	7-13	25	37	9	100
	M25×1.5	DBSPMY3D-25	9-17	30	40	10	50
	M32×1.5	DBSPMY3D-32	11-21	36	47	10	25
	M40×1.5	DBSPMY3D-40	19-28	46	52	10	10
	M50×1.5	DBSPMY3D-50	27-35	55	62	12	5
M63×1.5	DBSPMY3D-63	34-45	66	71	12	5	

Plastic cable glands

Metric connection thread

DBSPM

The cable gland is manufactured from polyamide . It features metric thread , and is very easy to assemble . It is intended for very general applications such as various electrical and mechanical equipments , controlling and automation , and manufacturing devices .



Technical Data	Temperature range	Protection class	Material	Standard colour
DBSPM	Static : -40°C to +100°C Dynamic : -20°C to +80°C	IP 68-5 bar	Body : Polyamide Sealing : Neoprene	RAL 7001 silver grey RAL 9005 black

Seal hole	Threaded entry M	Cat .No	Clamping range mm	Wrench size mm	C mm	D mm	Packing unit pieces
	M12×1.5	DBSPMY4D-12	3.5-7	15	30	8	100
	M16×1.5	DBSPMY4D-16	4.5-10	19	34	8	100
	M20×1.5	DBSPMY4D-20	7-13	25	37	9	100
	M25×1.5	DBSPMY4D-25	9-17	30	40	10	50
	M32×1.5	DBSPMY4D-32	11-21	36	47	10	25
	M40×1.5	DBSPMY4D-40	19-28	46	52	10	10
	M50×1.5	DBSPMY4D-50	27-35	55	62	12	5
M63×1.5	DBSPMY4D-63	34-45	66	71	12	5	

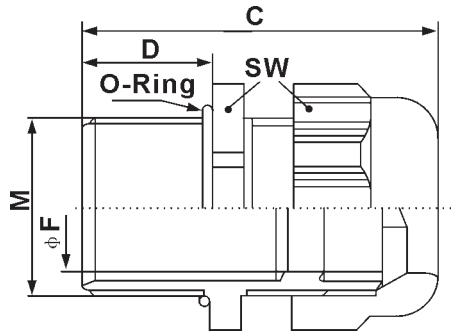
Seal hole	Threaded entry M	Cat .No	Clamping range mm	Wrench size mm	C mm	D mm	Packing unit pieces
	M12×1.5	DBSPMY5D-12	3.5-7	15	30	8	100
	M16×1.5	DBSPMY5D-16	4.5-10	19	34	8	100
	M20×1.5	DBSPMY5D-20	7-13	25	37	9	100
	M25×1.5	DBSPMY5D-25	9-17	30	40	10	50
	M32×1.5	DBSPMY5D-32	11-21	36	47	10	25
	M40×1.5	DBSPMY5D-40	19-28	46	52	10	10
	M50×1.5	DBSPMY5D-50	27-35	55	62	12	5
M63×1.5	DBSPMY5D-63	34-45	66	71	12	5	

Seal hole	Threaded entry M	Cat .No	Clamping range mm	Wrench size mm	C mm	D mm	Packing unit pieces
	M12×1.5	DBSPMY6D-12	3.5-7	15	30	8	100
	M16×1.5	DBSPMY6D-16	4.5-10	19	34	8	100
	M20×1.5	DBSPMY6D-20	7-13	25	37	9	100
	M25×1.5	DBSPMY6D-25	9-17	30	40	10	50
	M32×1.5	DBSPMY6D-32	11-21	36	47	10	25
	M40×1.5	DBSPMY6D-40	19-28	46	52	10	10
	M50×1.5	DBSPMY6D-50	27-35	55	62	12	5
M63×1.5	DBSPMY6D-63	34-45	66	71	12	5	

Metric connection thread

DBSPM

The cable gland is manufactured from polyamide . It features metric thread , and is very easy to assemble . It is intended for very general applications such as various electrical and mechanical equipments , controlling and automation , and manufacturing devices .



Technical Data	Temperature range	Protection class	Material	Standard colour
DBSPM	Static : -40°C to +100°C Dynamic : -20°C to +80°C	IP 68-5 bar	Body : Polyamide Sealing : Neoprene	RAL 7001 silver grey RAL 9005 black

Seal hole	Threaded entry M	Cat .No	Clamping range mm	Wrench size mm	C mm	D mm	Packing unit pieces
	M12×1.5	DBSPMY7D-12	3.5-7	15	30	8	100
	M16×1.5	DBSPMY7D-16	4.5-10	19	34	8	100
	M20×1.5	DBSPMY7D-20	7-13	25	37	9	100
	M25×1.5	DBSPMY7D-25	9-17	30	40	10	50
	M32×1.5	DBSPMY7D-32	11-21	36	47	10	25
	M40×1.5	DBSPMY7D-40	19-28	46	52	10	10
	M50×1.5	DBSPMY7D-50	27-35	55	62	12	5
M63×1.5	DBSPMY7D-63	34-45	66	71	12	5	

Seal hole	Threaded entry M	Cat .No	Clamping range mm	Wrench size mm	C mm	D mm	Packing unit pieces
	M12×1.5	DBSPMY8D-12	3.5-7	15	30	8	100
	M16×1.5	DBSPMY8D-16	4.5-10	19	34	8	100
	M20×1.5	DBSPMY8D-20	7-13	25	37	9	100
	M25×1.5	DBSPMY8D-25	9-17	30	40	10	50
	M32×1.5	DBSPMY8D-32	11-21	36	47	10	25
	M40×1.5	DBSPMY8D-40	19-28	46	52	10	10
	M50×1.5	DBSPMY8D-50	27-35	55	62	12	5
M63×1.5	DBSPMY8D-63	34-45	66	71	12	5	

Seal hole	Threaded entry M	Cat .No	Clamping range mm	Wrench size mm	C mm	D mm	Packing unit pieces
	M12×1.5	DBSPMLD-12	3.5-7	15	30	8	100
	M16×1.5	DBSPMLD-16	4.5-10	19	34	8	100
	M20×1.5	DBSPMLD-20	7-13	25	37	9	100
	M25×1.5	DBSPMLD-25	9-17	30	40	10	50
	M32×1.5	DBSPMLD-32	11-21	36	47	10	25
	M40×1.5	DBSPMLD-40	19-28	46	52	10	10
	M50×1.5	DBSPMLD-50	27-35	55	62	12	5
M63×1.5	DBSPMLD-63	34-45	66	71	12	5	