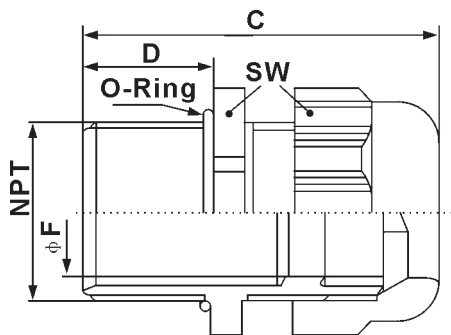


## Special plastic thread

### DBSPN

This cable gland features conical NPT thread . Other threads like UNF or PF threads can be made on request . It can also be made in various colours upon request , or the standard gray and black . It features SD dust seal , DV sealing plug , and DIX multiple seal insert regardless of connection thread type .



Technical Data	Temperature range	Protection class	Material	Standard colour
DBSPN	-20°C to +80°C	IP 68 bar	Body : Polyamide Sealing : Neoprene	RAL 7001 silver grey RAL 9005 black

Seal hole	Threaded entry NPT	Cat .No	Clamping range mm	Wrench size mm	C mm	D mm	Packing unit pieces
	3/8"	DBSPNNN-3/8	3.5-8	19	43	15	100
	1/2"	DBSPNNN-3/8	5-12	24	45	13	100
	3/4"	DBSPNNN-3/8	13-18	33	53	15	50
	1"	DBSPNNN-3/8	19-25.4	42	60	15	25

Seal hole	Threaded entry NPT	Cat .No	Clamping range mm	Wrench size mm	C mm	D mm	Packing unit pieces
	3/8"	DBSPNY2D-3/8	3.5-8	19	43	15	100
	1/2"	DBSPNY2D-3/8	5-12	24	45	13	100
	3/4"	DBSPNY2D-3/8	13-18	33	53	15	50
	1"	DBSPNY2D-3/8	19-25.4	42	60	15	25

Seal hole	Threaded entry NPT	Cat .No	Clamping range mm	Wrench size mm	C mm	D mm	Packing unit pieces
	3/8"	DBSPNY3D-3/8	3.5-8	19	43	15	100
	1/2"	DBSPNY3D-3/8	5-12	24	45	13	100
	3/4"	DBSPNY3D-3/8	13-18	33	53	15	50
	1"	DBSPNY3D-3/8	19-25.4	42	60	15	25

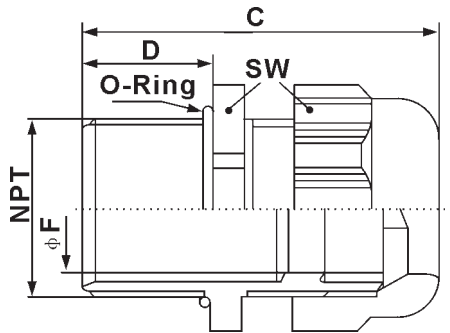
Seal hole	Threaded entry NPT	Cat .No	Clamping range mm	Wrench size mm	C mm	D mm	Packing unit pieces
	3/8"	DBSPNY4D-3/8	3.5-8	19	43	15	100
	1/2"	DBSPNY4D-3/8	5-12	24	45	13	100
	3/4"	DBSPNY4D-3/8	13-18	33	53	15	50
	1"	DBSPNY4D-3/8	19-25.4	42	60	15	25

# Plastic cable glands

## Special plastic thread

### DBSPN

This cable gland features conical NPT thread . Other threads like UNF or PF threads can be made on request . It can also be made in various colours upon request , or the standard grey and black . It features SD dust seal , DV sealing plug , and DIX multiple seal insert regardless of connection thread type .



Technical Data	Temperature range	Protection class	Material	Standard colour
DBSPN	-20°C to +80°C	IP 68 bar	Body : Polyamide Sealing : Neoprene	RAL 7001 silver grey RAL 9005 black

Seal hole	Threaded entry NPT	Cat .No	Clamping range mm	Wrench size mm	C mm	D mm	Packing unit pieces
	3/8"	DBSPNY5D-3/8	3.5-8	19	43	15	100
	1/2"	DBSPNY5D-3/8	5-12	24	45	13	100
	3/4"	DBSPNY5D-3/8	13-18	33	53	15	50
	1"	DBSPNY5D-3/8	19-25.4	42	60	15	25

Seal hole	Threaded entry NPT	Cat .No	Clamping range mm	Wrench size mm	C mm	D mm	Packing unit pieces
	3/8"	DBSPNY6D-3/8	3.5-8	19	43	15	100
	1/2"	DBSPNY6D-3/8	5-12	24	45	13	100
	3/4"	DBSPNY6D-3/8	13-18	33	53	15	50
	1"	DBSPNY6D-3/8	19-25.4	42	60	15	25

Seal hole	Threaded entry NPT	Cat .No	Clamping range mm	Wrench size mm	C mm	D mm	Packing unit pieces
	3/8"	DBSPNY7D-3/8	3.5-8	19	43	15	100
	1/2"	DBSPNY7D-3/8	5-12	24	45	13	100
	3/4"	DBSPNY7D-3/8	13-18	33	53	15	50
	1"	DBSPNY7D-3/8	19-25.4	42	60	15	25

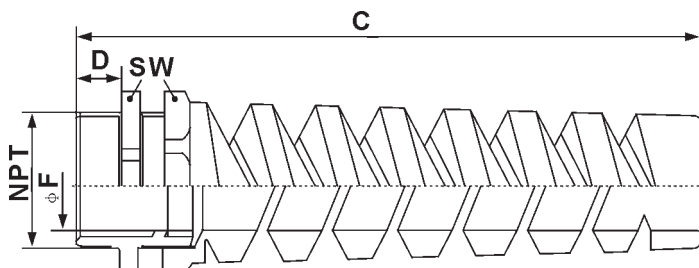
Seal hole	Threaded entry NPT	Cat .No	Clamping range mm	Wrench size mm	C mm	D mm	Packing unit pieces
	3/8"	DBSPNY8D-3/8	3.5-8	19	43	15	100
	1/2"	DBSPNY8D-3/8	5-12	24	45	13	100
	3/4"	DBSPNY8D-3/8	13-18	33	53	15	50
	1"	DBSPNY8D-3/8	19-25.4	42	60	15	25

Seal hole	Threaded entry NPT	Cat .No	Clamping range mm	Wrench size mm	C mm	D mm	Packing unit pieces
	3/8"	DBSPNLD-3/8	3.5-8	19	43	15	100
	1/2"	DBSPNLD-3/8	5-12	24	45	13	100
	3/4"	DBSPNLD-3/8	13-18	33	53	15	50
	1"	DBSPNLD-3/8	19-25.4	42	60	15	25

## Special plastic thread

### DDAPN

This device prevents bending of cables, thus eliminates movement of cables around the device it goes on. This is a very important safety feature for devices with moving or revolving parts, and it is crucial in order for the setup to operate in many cases. It can also be seen used on numbers of handheld devices. The spiral guards featured on this cable gland further prevents conductor break, thus reduces chance of failure.



Technical Data	Temperature range	Protection class	Material	Standard colour
DDAPN	-20°C to +80°C	IP 68 bar	Body : Polyamide Sealing : Neoprene	RAL 7001 silver grey

Seal hole	Threaded entry NPT	Cat .No	Clamping range mm	Wrench size mm	C mm	D mm	Packing unit pieces
	3/8"	DDAPNNN-3/8	3.5-8	19	43	15	100
	1/2"	DDAPNNN-1/2	5-12	24	45	13	100
	3/4"	DDAPNNN-3/4	13-18	33	53	15	50

Seal hole	Threaded entry NPT	Cat .No	Clamping range mm	Wrench size mm	C mm	D mm	Packing unit pieces
	3/8"	DDAPNY2D-3/8	3.5-8	19	43	15	100
	1/2"	DDAPNY2D-1/2	5-12	24	45	13	100
	3/4"	DDAPNY2D-3/4	13-18	33	53	15	50

Seal hole	Threaded entry NPT	Cat .No	Clamping range mm	Wrench size mm	C mm	D mm	Packing unit pieces
	3/8"	DDAPNY3D-3/8	3.5-8	19	43	15	100
	1/2"	DDAPNY3D-1/2	5-12	24	45	13	100
	3/4"	DDAPNY3D-3/4	13-18	33	53	15	50

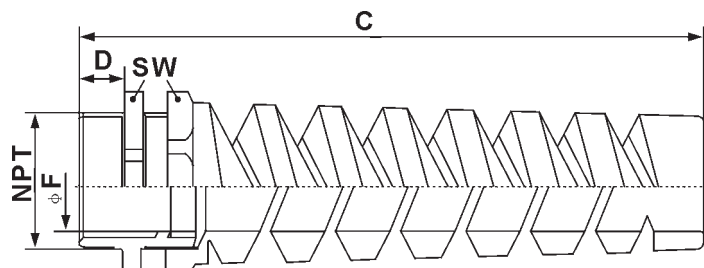
Seal hole	Threaded entry NPT	Cat .No	Clamping range mm	Wrench size mm	C mm	D mm	Packing unit pieces
	3/8"	DDAPNY4D-3/8	3.5-8	19	43	15	100
	1/2"	DDAPNY4D-1/2	5-12	24	45	13	100
	3/4"	DDAPNY4D-3/4	13-18	33	53	15	50

# Plastic cable glands

## Special plastic thread

### DAPPN

This device prevents bending of cables, thus eliminates movement of cables around the device it goes on. This is a very important safety feature for devices with moving or revolving parts, and it is crucial in order for the setup to operate in many cases. It can also be seen used on numbers of handheld devices. The spiral guards featured on this cable gland further prevents conductor break, thus reduces chance of failure.



Technical Data	Temperature range	Protection class	Material	Standard colour
DAPPN	-20°C to +80°C	IP 68 bar	Body : Polyamide Sealing : Neoprene	RAL 7001 silver grey

Seal hole	Threaded entry NPT	Cat .No	Clamping range mm	Wrench size mm	C mm	D mm	Packing unit pieces
	3/8"	DAPPNY5D-3/8	3.5-8	19	43	15	100
	1/2"	DAPPNY5D-1/2	5-12	24	45	13	100
	3/4"	DAPPNY5D-3/4	13-18	33	53	15	50

Seal hole	Threaded entry NPT	Cat .No	Clamping range mm	Wrench size mm	C mm	D mm	Packing unit pieces
	3/8"	DAPPNY6D-3/8	3.5-8	19	43	15	100
	1/2"	DAPPNY6D-1/2	5-12	24	45	13	100
	3/4"	DAPPNY6D-3/4	13-18	33	53	15	50

Seal hole	Threaded entry NPT	Cat .No	Clamping range mm	Wrench size mm	C mm	D mm	Packing unit pieces
	3/8"	DAPPNY7D-3/8	3.5-8	19	43	15	100
	1/2"	DAPPNY7D-1/2	5-12	24	45	13	100
	3/4"	DAPPNY7D-3/4	13-18	33	53	15	50

Seal hole	Threaded entry NPT	Cat .No	Clamping range mm	Wrench size mm	C mm	D mm	Packing unit pieces
	3/8"	DAPPNY8D-3/8	3.5-8	19	43	15	100
	1/2"	DAPPNY8D-1/2	5-12	24	45	13	100
	3/4"	DAPPNY8D-3/4	13-18	33	53	15	50

Seal hole	Threaded entry NPT	Cat .No	Clamping range mm	Wrench size mm	C mm	D mm	Packing unit pieces
	3/8"	DAPPNLD-3/8	3.5-8	19	43	15	100
	1/2"	DAPPNLD-1/2	5-12	24	45	13	100
	3/4"	DAPPNLD-3/4	13-18	33	53	15	50