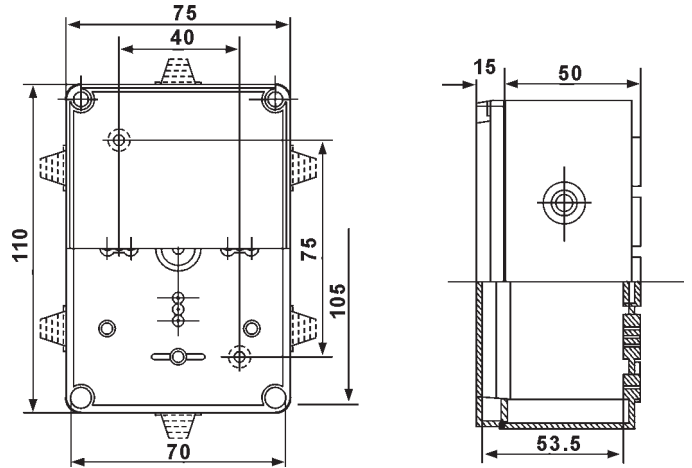
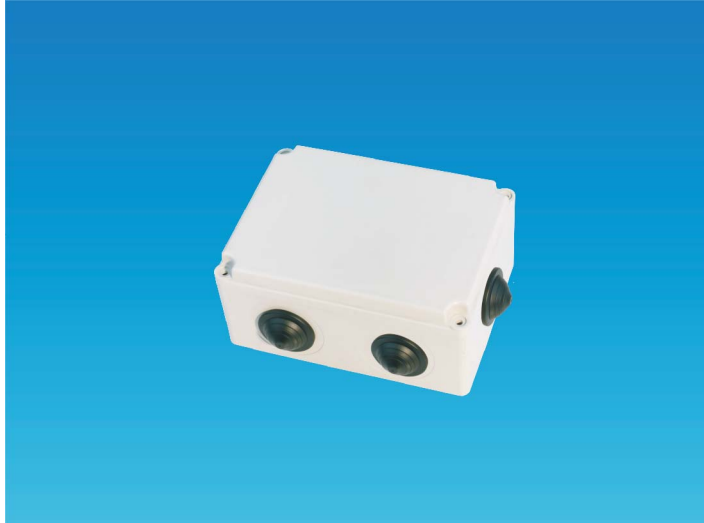


Modular distribution and connection boxes

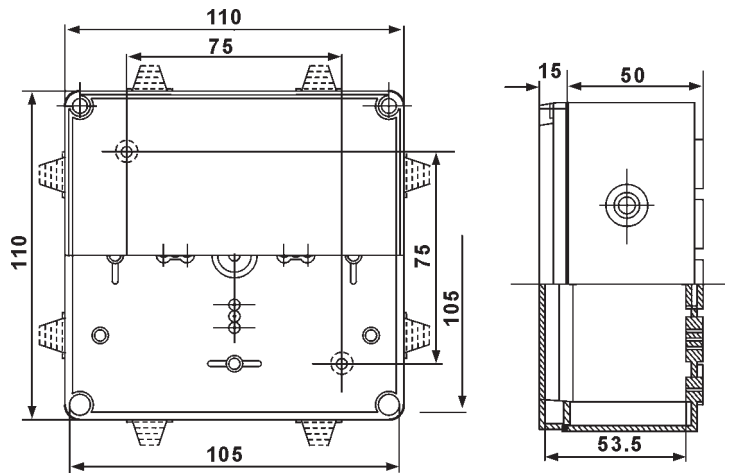
Boxes with fair - leads - RAL 7035 gray cover - IP 55

These boxes are supplied complete with screws and gaskets for the cover ; walls are complete with fair-leads .

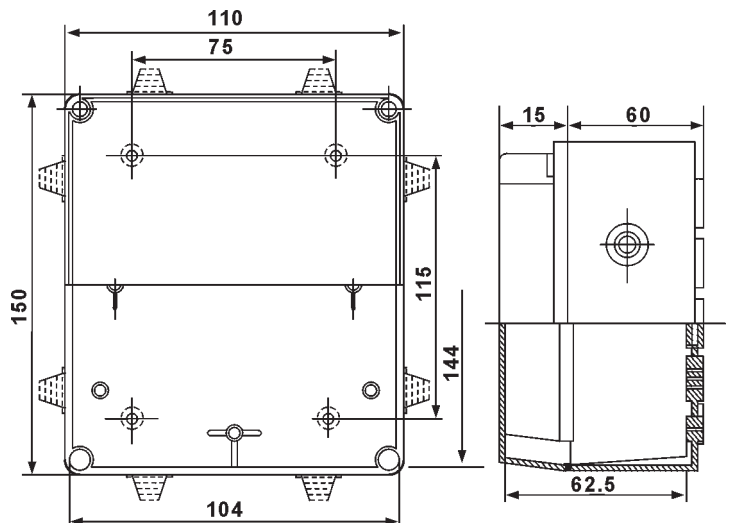
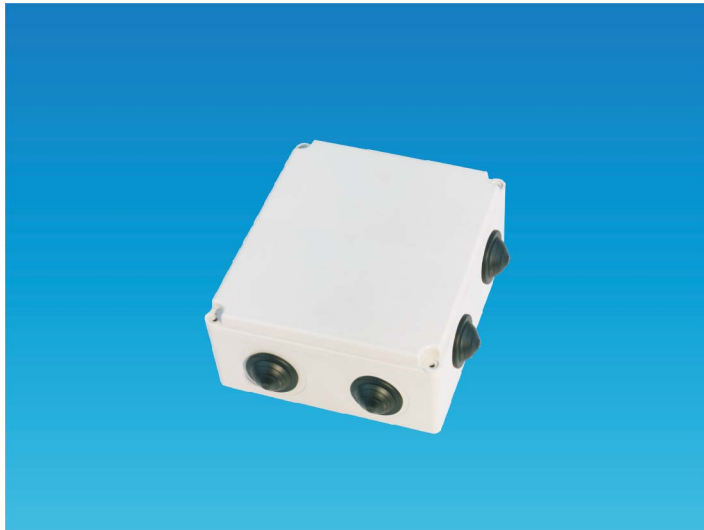
Description	Inlets to be knocked out	Part number
110×75×65 mm	2×max ϕ tube 25 mm + 4×max ϕ tube 20 mm	EACBB75×110×65 - 6



Description	Inlets to be knocked out	Part number
110×110×65 mm	8×max ϕ tube 25 mm	EACBB110×110×65 - 8



Description	Inlets to be knocked out	Part number
110×150×75 mm	8×max ϕ tube 25 mm	EACBB110×150×75 - 8



Modular distribution and connection boxes

Boxes with fair - leads - RAL 7035 grey cover - IP 55

Technical data

Characteristic	PC	ABS	Used for standard (UL CSA CE)
Protection class (En60529)	IP55	IP55	American : used for electric equipment boxes PC:UL style 1 4 4X 6(12 and 13) (UL 50/508) ABS :NEMA 1 4 4X 6(12 and 13)
Resist striking (En5012)	IK 08	IK 07	Canada : Industry control equipment used for electric equipment /ULc
Temperature ranges (Temporary) F	-40 -120 -40 F -250 F	-40 -80 -40 F -175 F	Europe: Used for components of the switch box and control box EN 50298 1998
Temperature ranges (Continuous) F	-40 -80 -40 F-175 F	-40 -60 -40 F-140 F	Europe : Used for the security of IT equipment EN 60950
The electric insulation	Completely insulating	Completely insulating	Australia : Used for switch box and control box
Light grey part colour	RAL 7035 Industry grey	RAL 7035 Industry grey	AS 3132 - 1991
Cover colour	Transparence	grey	
Screw for the cover	Silvery white	Silvery white	
Screw for the sheet	Light yellow	Light yellow	
Gasket	PUR/TPE	PUR/TPE	
Flammability class	UL 94 -5V	UL 94HB	UL 746 C 5 inch perpendicularity flame test
Burning conductor test	960	650	IEC 695 - 2 - 1 self-extinguishing
Innocuous properties	No halogen	No halogen	
Preventing ultraviolet radiation	UL 508		
Resist chemical corrosion	Be in aging machine 720 hours still well	Well	