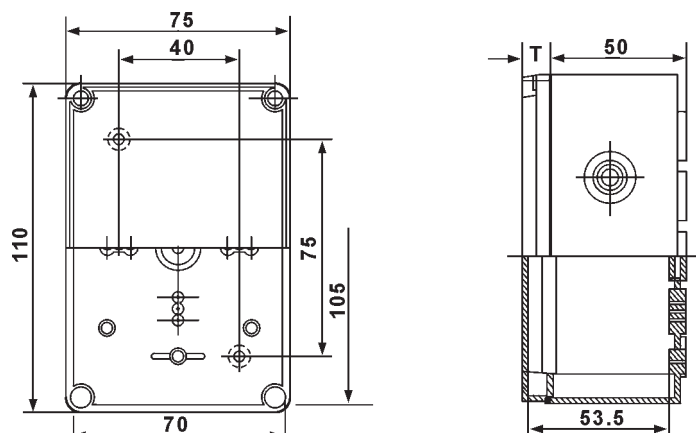


● Distribution boxes - walls with knock - outs - IP 55

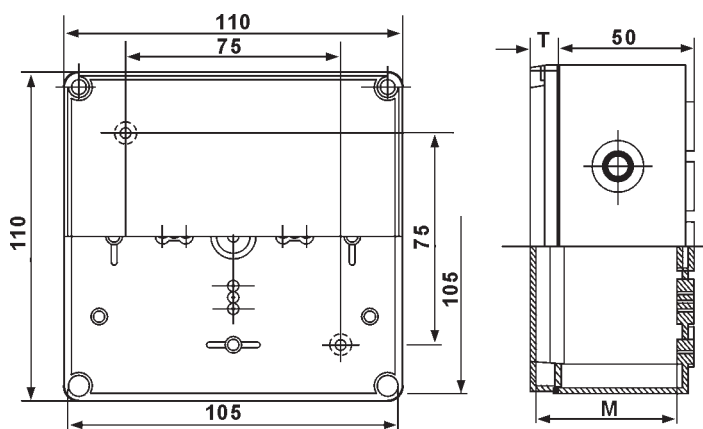
These boxes are supplied with screw caps and gaskets for the cover ; have knock-out impressions suitable Pg fair leads and / or cable clamping screws .

Description	Inlets to be knocked out	T _※	M _※	Part number	
				RAL 7035 grey cover	Transparent cover
75×110×65 mm	2×Pg 21 +4×Pg16/21	15	53.5	EBCBB 75×110×65 - 6	



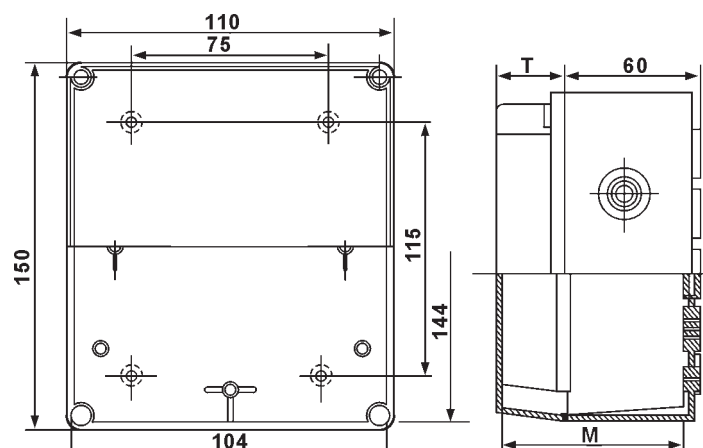
Note : “T” is cover high ; “M” is usable high

Description	Inlets to be knocked out	T _※	M _※	Part number	
				RAL 7035 grey cover	Transparent cover
110×110×65 mm	4×Pg 21 + 4×Pg16/21	15	53.5	EBCBB110×110×65 - 8	
110×110×112 mm	4×Pg 21 + 4×Pg16/21	62	100.5	EBCBB110×110×112 - 8	EBCBC 110×110×112 - 8



Note : “T” is cover high ; “M” is usable high

Description	Inlets to be knocked out	T _※	M _※	Part number	
				RAL 7035 grey cover	Transparent cover
110×150×75 mm	4×Pg 21 + 4×Pg29	15	62.5	EBCBB110×110×75 - 8	EBCBC110×110×75 - 8
110×150×100 mm	4×Pg 21 + 4×Pg29	40	87.5	EBCBB110×150×100 - 8	EBCBC110×150×100 - 8
110×150×150 mm	4×Pg 21 + 4×Pg29	90	137.5	EBCBB110×150×150 - 8	EBCBC110×150×150 - 8



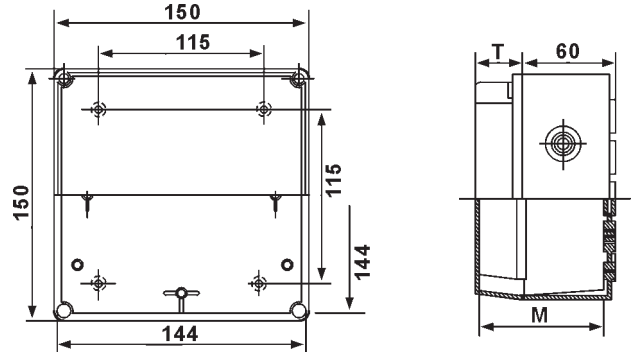
Note : “T” is cover high ; “M” is usable high

Modular distribution and connection boxes

Distribution boxes - walls with knock - outs - IP 55

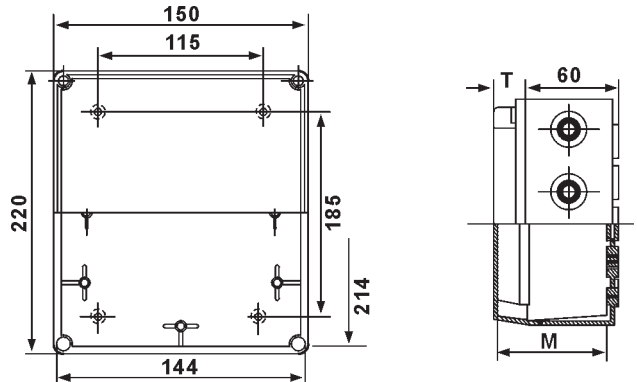
These boxes are supplied with screws caps and gaskets for the cover ; have knock-out impressions suitable Pg fair leads and / or cable clamping screws .

Description	Inlets to be knocked out	T _※	M _※	Part number	
				RAL 7035 grey cover	Transparent cover
150×150×75 mm	8×Pg 29	15	62.5	EBCBB150×150×75 - 8	EBCBC150×150×75 - 8
150×150×100 mm	8×Pg 29	40	87.5	EBCBB150×150×100 - 8	EBCBC150×150×100 - 8
150×150×150 mm	8×Pg 29	90	137.5	EBCBB150×150×150 - 8	EBCBC150×150×150 - 8



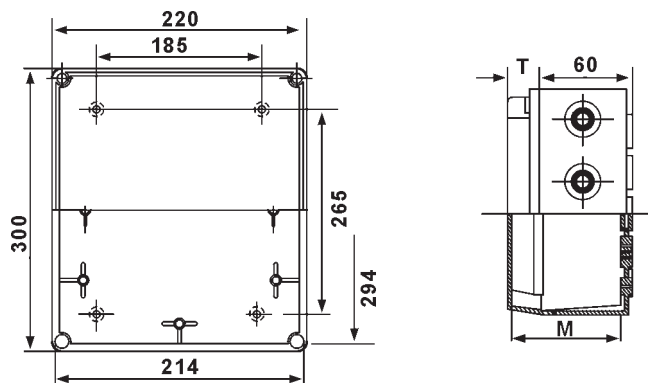
Note : "T" is cover high ; "M" is usable high

Description	Inlets to be knocked out	T _※	M _※	Part number	
				RAL 7035 grey cover	Transparent cover
150×220×75 mm	8×Pg 21 + 4×Pg 29	15	62.5	EBCBB150×220×75 - 12	EBCBC150×220×75 - 12
150×220×100 mm	8×Pg 21 + 4×Pg 29	40	87.5	EBCBB150×220×100 - 12	EBCBC150×220×100 - 12
150×220×150 mm	8×Pg 21 + 4×Pg 29	90	137.5	EBCBB150×220×150 - 12	EBCBC150×220×150 - 12



Note : "T" is cover high ; "M" is usable high

Description	Inlets to be knocked out	T _※	M _※	Part number	
				RAL 7035 grey cover	Transparent cover
220×300×75 mm	8×Pg 21 + 8×Pg29	15	62.5	EBCBB220×300×75 - 16	EBCBC220×300×75 - 16
220×300×100 mm	8×Pg 21 + 8×Pg29	40	87.5	EBCBB220×300×100 - 16	EBCBC220×300×100 - 16
220×300×150 mm	8×Pg 21 + 8×Pg29	90	137.5	EBCBB220×300×150 - 16	EBCBC220×300×150 - 16



Note : "T" is cover high ; "M" is usable high

● Distribution boxes - walls with knock - outs - IP 55

Technical data

Characteristic	PC	ABS	Used for standard (UL CSA CE)
Protection class (En60529)	IP55	IP55	American : used for electric equipment boxes PC:UL style 1 4 4X 6(12 and 13) (UL 50/508) ABS :NEMA 1 4 4X 6(12 and 13)
Resist striking (En5012)	IK 08	IK 07	Canada : Industry control equipment used for electric equipment /ULc
Temperature ranges	-40 -120	-40 -80	Europe: Used for components of the switch box and control box
(Temporary) F	-40 F -250 F	-40 F -175 F	EN 50298 1998
Temperature ranges	-40 -80	-40 -60	Europe : Used for the security of IT equipment
(Continuous) F	-40 F-175 F	-40 F-140 F	EN 60950
The electric insulation	Completely insulating	Completely insulating	Australia : Used for switch box and control box
Light grey part colour	RAL 7035 Industry grey	RAL 7035 Industry grey	AS 3132 - 1991
Cover colour	Transparence	grey	
Screw for the cover	Silvery white	Silvery white	
Screw for the sheet	Light yellow	Light yellow	
Gasket	PUR/TPE	PUR/TPE	
Flammability class	UL 94 -5V	UL 94HB	UL 746 C 5 inch perpendicularity flame test
Burning conductor test	960	650	IEC 695 - 2 - 1 self-extinguishing
Innocuous properties	No halogen	No halogen	
Preventing ultraviolet radiation	UL 508		
Resist chemical corrosion	Be in aging machine 720 hours still well	Well	