

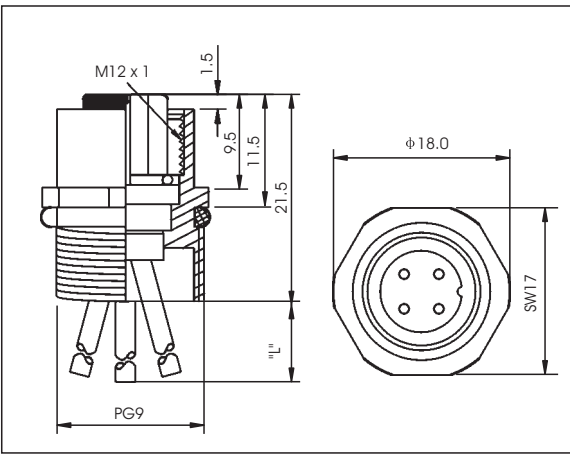
EURO-STYLE QUICK DISCONNECT CABLES

View



- Female Euro-style receptacle
- Front mounting, wire ends, thread chassis side PG9
- Back mounting with nut RMF9 (see page C-34)
- Solder contacts potted with epoxy

Dimensional data



Technical Data

Application Class:	HNA acc. to DIN 40040 (-25 °C / +90 °C / ≤ 100%rF)	O-Ring:	Viton
Moulded Body:	TPU, self-extinguishing	Protection:	IP 68
Nominal Power:	4A, 8 poles=1.5A	Contact Resistance:	≤ 5m Ω
Nominal Voltage:	3+4poles, 250VAC/300VDC 5poles, 30VAC/36VDC	Insulation Group:	C acc.to VDE 0110
Contact:	CuSn, brass, pre-nickeled and 0.3 microns gold-plated 8poles=CuZn, brass, pre-nickeled and 0.8 microns gold-plated	Test Voltage:	2.0 KV eff./60s. 8poles, 1.5 KV eff./60s.
Receptacle Housing:	Nickel plated brass	Insulation Resistance:	>10 ⁹ Ω
		CSA certified:	219967

Catalog Number

Part-No	Poles	Face View female	Colour Code	Conductors		Conductor Insulation φ mm(single)
				Guage	Stranding	
R-FS4/3FZ/0.5/PG9	4		1=brown 2= - 3=blue 4=black	0.34mm ²	42 x φ0.10	1.6
R-FS4FZ/0.5/PG9	4		1=brown 2=white 3=blue 4=black	0.34mm ²	42 x φ0.10	1.6
R-FS5FZ/0.5/PG9	5		1=brown 2=white 3=blue 4=black 5=gray	0.34mm ²	42 x φ0.10	1.6
				0.50mm ²	16 x φ0.20	1.8
R-FS8FZ/0.5/PG9	8		1=white 2=brown 3=green 4=yellow 5=grey 6=pink 7=blue 8=red	0.25mm ²	32 x φ0.10	1.6

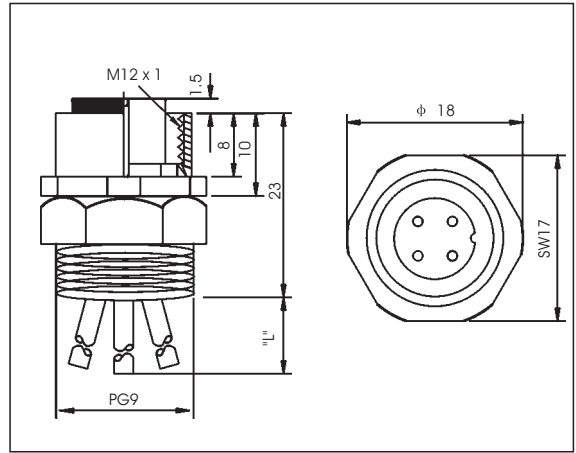
EURO-STYLE QUICK DISCONNECT CABLES

View



- Female Euro-style receptacle
- Front mounting, with positional insert wire ends, thread chassis side PG9
- Back mounting with nut RMF9(see page C-34)
- Solder contacts potted with epoxy

Dimensional data



Technical Data

Application Class: HNA acc. to DIN 40040
 (-25 °C / +90 °C / ≤ 100%rF)

Moulded Body: TPU, self-extinguishing

Nominal Power: 4A

Nominal Voltage: 3+4poles, 250VAC/300VDC
 5poles, 30VAC/36VDC

Contact: CuSn, brass, pre-nickel and
 0.3 microns gold-plated

Contact Resistance: ≤ 5mΩ

Receptacle Housing: Nickel plated brass

O-Ring: Viton

Protection: IP 68

Insulation Group: Cacc.toVDE0110

Test Voltage: 2.0 KV eff./60s.

Insulation Resistance: > 10⁹ Ω

CSA certified: 219967

Catalog Number

Part-No	Poles	Face View female	Colour Code	Conductors		Conductor insulation φ mm(single)
				Guage	Stranding	
R-FS4/3FPZ/0.5/PG9	4		1=brown 2=- 3=blue 4=black	0.34mm ²	42x φ 0.10	1.6
R-FS4FPZ/0.5/PG9	4		1=brown 2=white 3=blue 4=black	0.34mm ²	42x φ 0.10	1.6
R-FS5FPZ/0.5/PG9	5		1=brown 2=white 3=blue 4=black 5=gray	0.34mm ²	42x φ 0.10	1.6
				0.50mm ²	16x φ 0.20	1.8
R-FS8FPZ/0.5/PG9	8		1=white 2=brown 3=green 4=yellow 5=grey 6=pink 5=blue 8=red	0.25mm ²	32xφ0.10	1.6

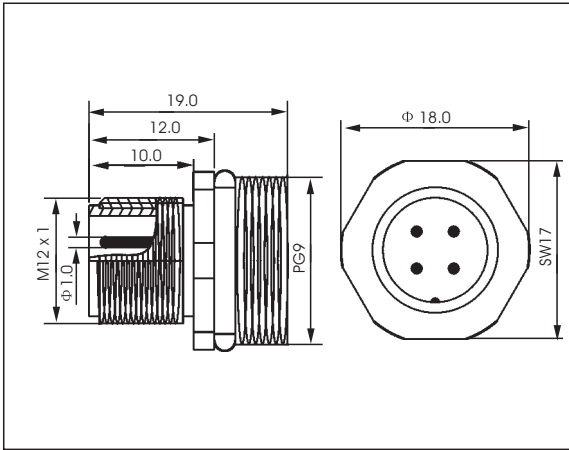
EURO-STYLE QUICK DISCONNECT RECEPTACLES

View



- Euro-style receptacles
- Front mounting, thread chassis side PG9
- Back mounting with nut RMF9(see page C-34)
- Attention !to ensure mechanical stability and impermeability The wire connections must be epoxy potted after cable assembly

Dimensional data



Technical Data

Application Class: HNA acc. to DIN 40040
 (-25 °C /+90 °C / ≤ 100%rF)

Moulded Body: PA , self-extinguishing

Nominal Power: 4A

Nominal Voltage: 3+4poles, 250VAC/300VDC
 5poles, 30VAC/36VDC

Contact: CuZn, brass, pre-nickel and
 0.8 microns gold-plated

Chassis Plug Housing: Nickel plated brass

O-Ring: Viton

Protection: IP 68

Insulation Group: Cacc.toVDE0110

Test Voltage: 2.0 KV eff./60s.

Insulation Resistance: > 10⁹Ω

CSA certified: 219967

Catalog Number

Part-No	Poles	Face View male	Color Code	Outer Jacket φ mm
R-MS3FZ/PG9	3		—	—
R-MS4FZ/PG9	4		—	—
R-MS5FZ/PG9	5		—	—
R-MS8FZ/PG9	8		—	—

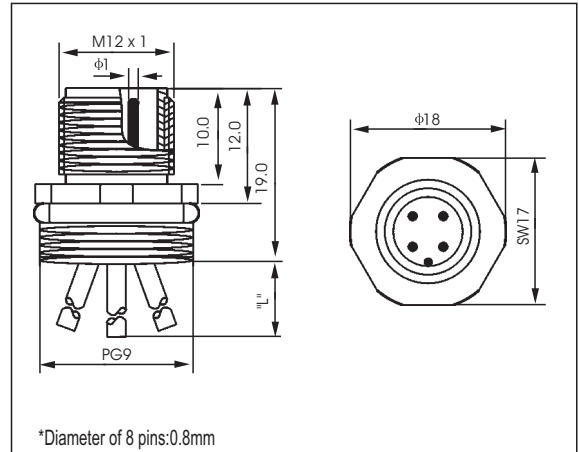
EURO-STYLE QUICK DISCONNECT CABLES

View



- Euro-style receptacles
- Front mounting, wire Ends, thread chassis side PG9
- Back mounting with nut RMF9(see page C-34)
- Solder contacts potted with epoxy

Dimensional data



Technical Data

Application Class: HNA acc. to DIN 40040
 (-25 °C /+90 °C / ≤ 100%rF)
 Moulded Body: PA, self-extinguishing
 8poles TPU, Self-extinguishing
 Nominal Power: 4A , 8 poles=1.5A
 Nominal Voltage: 3+4poles,250VAC/300VDC
 5+8poles,30VAC/36VDC
 Contact: CuZn, pre-nickeled and 0.8 microns gold-plated

Receptacle Housing: Nickel plated brass
 O-Ring: Viton
 Protection: IP 68
 Insulation Group: Cacc.toVDE0110
 Test Voltage: 2.0 KV eff./60s.
 8poles=1.5 KV eff./60s.
 Insulation Resistance: > 10⁹Ω
 CSA certified: 219967

Catalog Number

Part-No	Poles	Face View male	Color Code	Conductors		Conductor insulation φ mm(single)
				Guage	Stranding	
R-MS3FZ/0.5/PG9	3		1=brown 3=blue 4=black	0.34mm ²	42x φ 0.10	1.6
R-MS4/3FZ/0.5/PG9	4		1=brown 2= - 3=blue 4=black	0.34mm ²	42x φ 0.10	1.6
R-MS4FZ/0.5/PG9	4		1=brown 2=white 3=blue 4=black	0.34mm ²	42x φ 0.10	1.6
R-MS5FZ/0.5/PG9	5		1=brown 2=white 3=blue 4=black 5=gray	0.34mm ²	42x φ 0.10	1.6
				0.50mm ²	16x φ 0.20	1.8
R-MS8FZ/0.5/PG9	8		1=white 2=brown 3=green 4=yellow 5=grey 6=pink 7=blue 8=red	0.25mm ²	32x φ 0.10	1.6

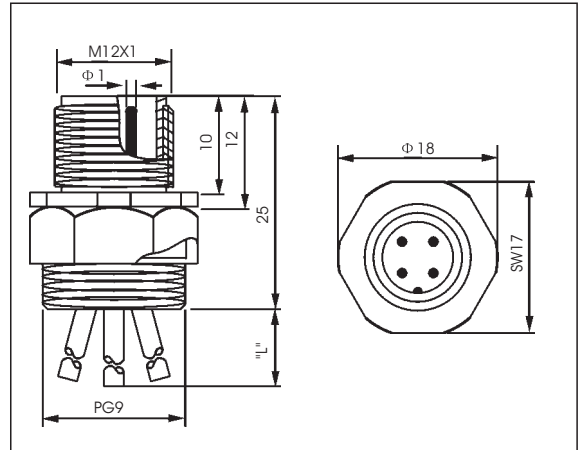
EURO-STYLE QUICK DISCONNECT CABLES

View



- Euro-style receptacle
- Front mounting, wire Ends, positionable insert ,thread chassis side PG9
- Solder contacts potted with epoxy
- Back mounting with nut RMF9 (see page C-34)

Dimensional data



Technical Data

Application Class: HNA acc. to DIN 40040
 (-25 °C / +90 °C / ≤ 100%rF)

Moulded Body: PA, self-extinguishing

Nominal Power: 4A

Nominal Voltage: 3+4poles, 250VAC/300VDC
 5poles, 30VAC/36VDC

Contact: CuZn, pre-nickel and
 0.8 microns gold-plated

Receptacle Housing: Nickel plated brass

O-Ring: Viton

Protection: IP 68

Insulation Group: Cacc.toVDE0110

Test Voltage: 2.0 KV eff./60s.

Insulation Resistance: >10⁹ Ω

CSA certified: 219967

Catalog Number

Part-No	Poles	Face View male	Color Code	Conductors		Conductor insulation Φ mm(single)
				Guage	Stranding	
R-MS3FPZ/0.5/PG9	3		1=brown 3=blue 4=black	0.34mm ²	42x Φ 0.10	1.6
R-MS4/3FPZ/0.5/PG9	4		1=brown 2= - 3=blue 4=black	0.34mm ²	42x Φ 0.10	1.6
R-MS4FPZ/0.5/PG9	4		1=brown 2=white 3=blue 4=black	0.34mm ²	42x Φ 0.10	1.6
R-MS5FPZ/0.5/PG9	5		1=brown 2=white 3=blue 4=black 5=gray	0.34mm ²	42x Φ 0.10	1.6
				0.50mm ²	16x Φ 0.20	1.8
R-MS8FPZ/0.5/PG9	8		1=white 2=brown 3=green 4=yellow 5=grey 6=pink 7=blue 8=red	0.25mm ²	32 x Φ 0.10	1.6

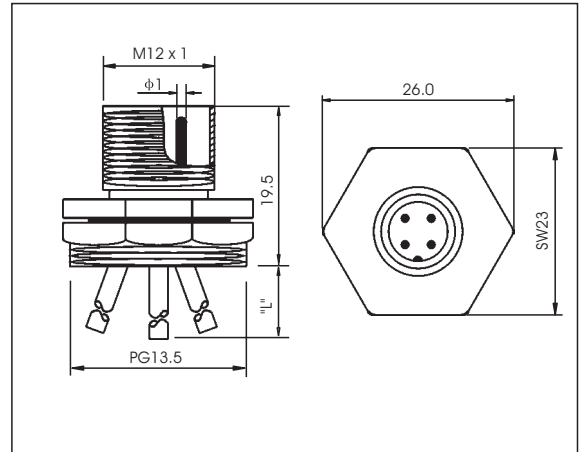
EURO-STYLE QUICK DISCONNECT CABLES

View



- Euro-style receptacle back mounting with nut RMF13.5 (see page C-34)
- Front mounting, wire ends, thread chassis side PG13.5
- Solder contacts potted with epoxy

Dimensional data



Technical Data

Application Class: HNA acc. to DIN 40040
 (-25 °C / +90 °C / ≤ 100%rF)

Moulded Body: PA, self-extinguishing

Nominal Power: 4A

Nominal Voltage: 3+4poles, 250VAC/300VDC
 5poles, 30VAC/36VDC

Contact: CuZn, pre-nickel and
 0.8 microns gold-plated

Receptacle Housing: Nickel plated brass

O-Ring: Viton

Protection: IP 68

Insulation Group: Cacc.toVDE0110

Test Voltage: 2.0 KV eff./60s.

Insulation Resistance: > 10⁹Ω

CSA certified: 219967

Catalog Number

Part-No	Poles	Face View male	Color Code	Conductors		Conductor insulation φ mm(single)
				Guage	Stranding	
R-MS3FZ/0.5/PG13.5	3		1=brown 3=blue 4=black	0.34mm ²	42x φ 0.10	1.6
R-MS4/3FZ/0.5/PG13.5	4		1=brown 2= - 3=blue 4=black	0.34mm ²	42x φ 0.10	1.6
R-MS4FZ/0.5/PG13.5	4		1=brown 2=white 3=blue 4=black	0.34mm ²	42x φ 0.10	1.6
R-MS5FZ/0.5/PG13.5	5		1=brown 2=white 3=blue 4=black 5=gray	0.34mm ²	42x φ 0.10	1.6
				0.50mm ²	16x φ 0.20	1.8
R-MS8FZ/0.5/PG13.5	8		1=white 2=brown 3=green 4=yellow 5=grey 6=pink 7=blue 8=red	0.25mm ²	32x φ 0.10	1.6

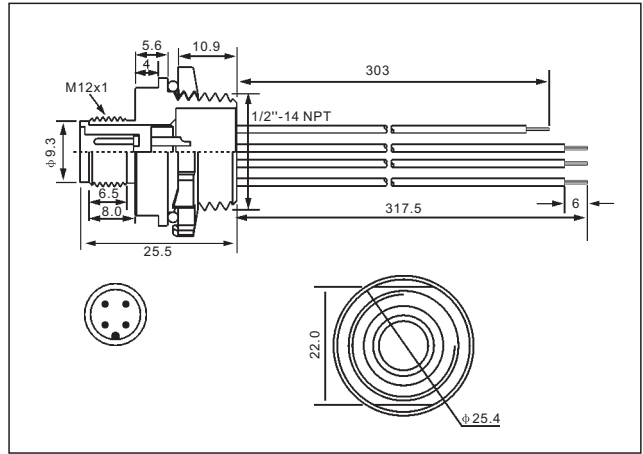
EURO-STYLE QUICK DISCONNECT CABLES

View



- Euro-style receptacles
- Front mounting, wire Ends, thread chassis side 1/2"-14NPT
- Solder contacts potted with epoxy

Dimensional data



Technical Data

Application Class: HNA acc. to DIN 40040
(-25 °C / +90 °C / ≤ 100%rF)

Nominal Power: 4A

Nominal Voltage: 4poles, 250V

Contact: CuZn, pre-nickeled and 0.8 microns gold-plated

Receptacle Housing: Nickel plated brass

Protection: IP 68

Insulation Group: Cacc.toVDE0110

Test Voltage: 2.0 KV eff./60s.

Insulation Resistance: > 10⁹Ω

CSA certified: 219967

Catalog Number

Part-No	Poles	Face View male	Color Code	Conductors		Conductor insulation φ mm(single)
				Guage	Stranding	
R-MS4FZ/0.35/1/2"-14NPT	4		1=brown 2=white 3=blue	0.35mm ²	26x φ 0.127	1.3
			4=black	0.38mm ²	19x φ 0.16	

Cable length: 317.5mm. Other cable length or cable specifications on request.