

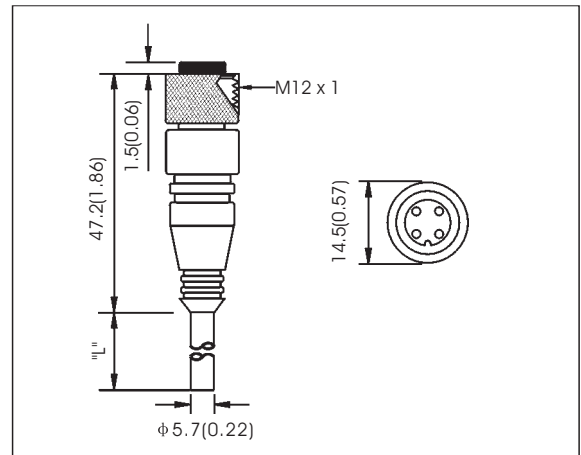
# EURO-STYLE QUICK DISCONNECT CABLES

## View



- Female Euro-style
- Screw locking with (auto) securing safety nut
- With moulded cable

## Dimensional data



## Technical Data

Application Class: HNA acc. to DIN 40040  
(-25 °C / +90 °C /  $\leq$  100%rF)

Moulded Body: PVC, self-extinguishing

Nominal Power: 4A(CSA=3A), 8 poles=1.5A

Nominal Voltage: 3+4poles, 250VAC/300VDC  
5+8poles, 30VAC/36VDC

Contact: CuSn, brass, pre-nickel and 0.3 microns gold-plated  
8poles=CuZn, pre-nickel and 0.8 microns gold-plated

Body: PVC, self-extinguishing

Securing Safety Nut: Nickel plated brass

O-Ring: Viton

Protection: IP 68

Insulation Group: C acc.to VDE 0110

Test Voltage: 3+4poles, 2.0 KV eff./60s.  
5+8poles, 1.5 KV eff./60s.

Contact Resistance:  $\leq$  5m $\Omega$

Insulation Resistance:  $>10^9 \Omega$

CSA certified: 219967

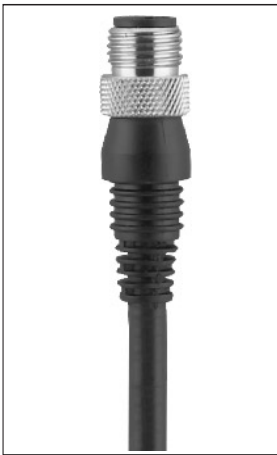
## Catalog Number

Part-No	Poles	Face View female	Color Code	Conductors		Outer Jacket	
				Guage	Stranding	$\phi$ mm	Material
R-FS4/3TZV972	4		1=brown 2=- 3=blue 4=black	0.25mm <sup>2</sup>	19 x $\phi$ 0.12 x 1C	5.7	PVC
				0.93mm <sup>2</sup>	19 x $\phi$ 0.25 x 2C		

Standard length: 2.0 m and 5.0 m. 7.5m, 10.0m. Other cable length or cable specifications on request.

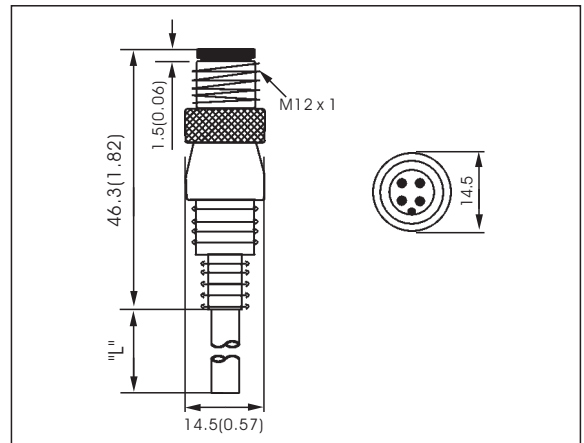
# EURO-STYLE QUICK DISCONNECT CABLES

## View



- Euro-style
- Screw locking with (auto) securing Safety nut
- With moulded Cable

## Dimensional data



## Technical Data

Application Class: HNAcc. to DIN 40040  
(-25°C/+90°C/≤100%rF)

Moulded Body: PVC, self-extinguishing

Nominal Power: 4A, 8 poles=1.5A

Nominal Voltage: 3+4 poles 250VAC/300VDC

Body: TPU, self-extinguishing

Contact: CuZn, pre-nickeled and  
0.8 microns gold-plated

Securing Safety Nut : Nickel plated brass

Protection: IP 68


Insulation Group: C acc.to VDE 0110

Test Voltage: 3+4 poles, 2.0 KV eff./60s.  
5+8 poles, 1.5 KV eff./60s.

Insulation Resistance: >10<sup>9</sup> Ω

CSA certified: 219967

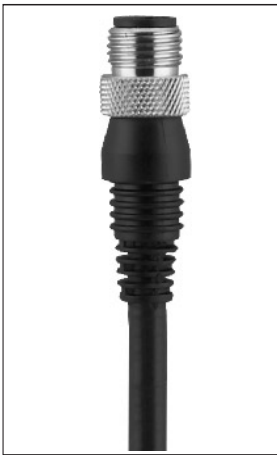
## Catalog Number

Part-No	Poles	Face View male	Color Code	Conductors		Outer Jacket	
				Guage	Stranding	φ mm	Material
R-MS4TZV702	4		1=brown 2=white 3=blue 4=black	0.34mm <sup>2</sup>	7 x φ0.25	6.2	PVC

Standard length: 2.0 m and 5.0 m. Other cable length or cable specifications on request.

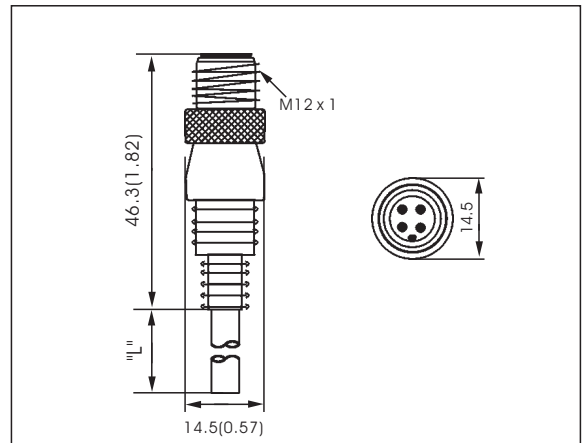
# EURO-STYLE QUICK DISCONNECT CABLES

## View



- Euro-style
- Screw locking with (auto) securing Safety nut
- With moulded Cable

## Dimensional data



## Technical Data

Application Class: HNAcc. to DIN 40040  
(-25°C/+90°C/≤100%rF)

Moulded Body: PVC, self-extinguishing

Nominal Power: 4A, 8 poles=1.5A

Nominal Voltage: 3+4 poles 250VAC/300VDC

Body: TPU, self-extinguishing

Contact: CuZn, pre-nickel and  
0.8 microns gold-plated

Securing Safety Nut : Nickel plated brass

Protection: IP 68

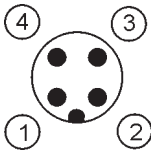
Insulation Group: C acc.to VDE 0110

Test Voltage: 3+4 poles, 2.0 KV eff./60s.  
5+8 poles, 1.5 KV eff./60s.

Insulation Resistance: >10<sup>9</sup> Ω

CSA certified: 219967

## Catalog Number

Part-No	Poles	Face View male	Color Code	Conductors		Outer Jacket	
				Guage	Stranding	φ mm	Material
R-MS4TZV982	4		1=brown 2=white 3=blue 4=black	0.34mm <sup>2</sup>	7 x φ0.25	6.2	PVC

Standard length: 2.0 m and 5.0 m. Other cable length or cable specifications on request.