

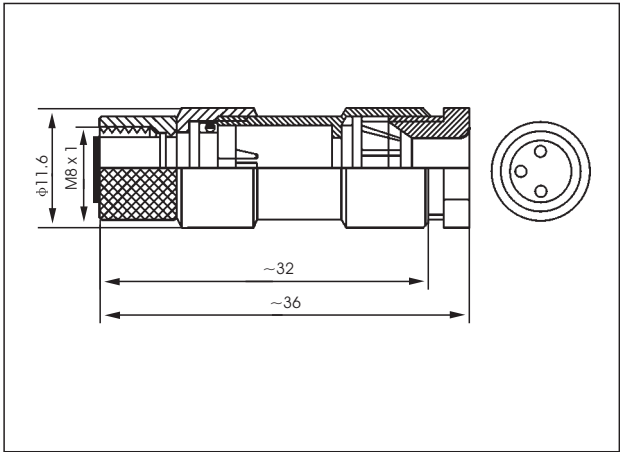
# PICO-STYLE QUICK DISCONNECT RECEPTACLES

## View



- Female pico-style
- With locknut
- Field connector allow for easy installation
- Can be used to retro-fit hard wired devices or cable assemblies

## Dimensional data



## Technical Data

Application Class: HNE acc. to DIN 40040  
 (-25 °C / +90 °C / ≤ 75%rF)  
 Nominal Power: 4A  
 Nominal Voltage: 60 VAC/75 VDC  
 Contact: CuZn, pre-nickel and  
 0.8 microns gold-plated

Body: PA 6.6  
 Insulation Group: C acc.to VDE 0110  
 Locknut: Nickel plated brass  
 Protection: IP 67(only in fully locked position)  
 O-Ring: NBR  
 Test Voltage: 1.0 KV eff./60s.  
 Insulation Resistance > 10<sup>9</sup>Ω  
 CSA certified: 219967

## Catalog Number

Part-No	Poles	Face View female	Max. Wire section	Screw Joint for cable
C-FS3KZ	3		Max 0.25mm <sup>2</sup>	cable passage 3.5 - 5.0mm
C-FS4KZ	4		Max 0.25mm <sup>2</sup>	cable passage 3.5 - 5.0mm

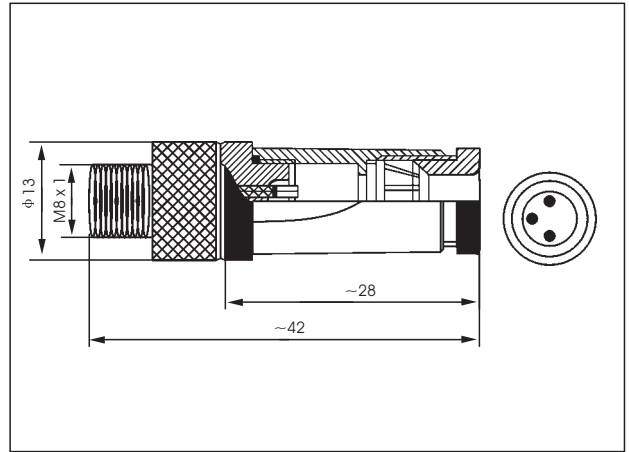
# PICO-STYLE QUICK DISCONNECT RECEPTACLES

## View



- With freely rotating locknut

## Dimensional data



## Technical Data

Application Class: HNE acc. to DIN 40040

(-25 °C / +90 °C / ≤ 75%rF)

Nominal Power: 4A

Nominal Voltage: 60VAC/75VDC

Contact: CuZn, pre-nickeled and  
0.8 microns gold-plated

Body: Nickel plated brass

Insulation Group: C acc.to VDE 0110

Locknut: Nickel plated brass

Protection: IP 67(only in fully locked position)

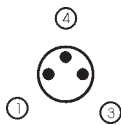
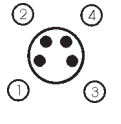
Mode of Connection: Screw clamp

Test Voltage: 1.0 KV eff./60s.

Insulation Resistance: >10<sup>9</sup> Ω

CSA certified: 219967

## Catalog Number

Part-No	Poles	Face View male	Max. Wire section	Screw Joint for cable
C-MS3KZ	3		Max 0.25mm <sup>2</sup>	cable passage 3.5 - 5.0mm
C-MS4KZ	4		Max 0.25mm <sup>2</sup>	cable passage 3.5 - 5.0mm

Standard length: 2.0 m, 5.0 m, 7.5 m, 10.0 m. Other cable length or cable specifications on request.