

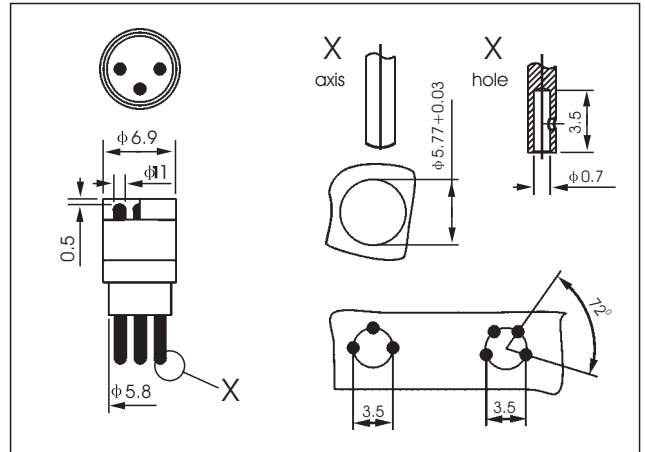
PICO-STYLE QUICK DISCONNECT RECEPTACLES

View



- Pico-style insert
- For proximity switch M8
- Snap-in device
- With long solder Contacts

Dimensional data



Technical Data

Application Class: HNE acc.to DIN 40040
(-25 °C / +90 °C / ≤ 75%rF)

Nominal Power: 4A

Nominal Voltage: 60VAC/75VDC

Contact: CuZn, pre-nickeled and
0.8microns gold-plated

Moulded Body: PA 6.6 GF, self-extinguishing

Protection: IP 65

Mode of Connection: Solder types

Insulation Group: C acc.to VDE 0110

Test Voltage: 1.5 KV eff. / 60 s.

Insulation Resistance: >10⁹Ω

CSA certified: 219967

Catalog Number

Part-No	Poles	Face View male	Contact (Soldering side)	Max. Wire section
C-MS3NZ-G	3		Empty conductor	Max 0.25 mm ²
C-MS4NZ-G	4		Empty conductor	Max 0.25 mm ²
C-MS3NZ-F	3		Solid conductor	—
C-MS4NZ-F	4		Solid conductor	—

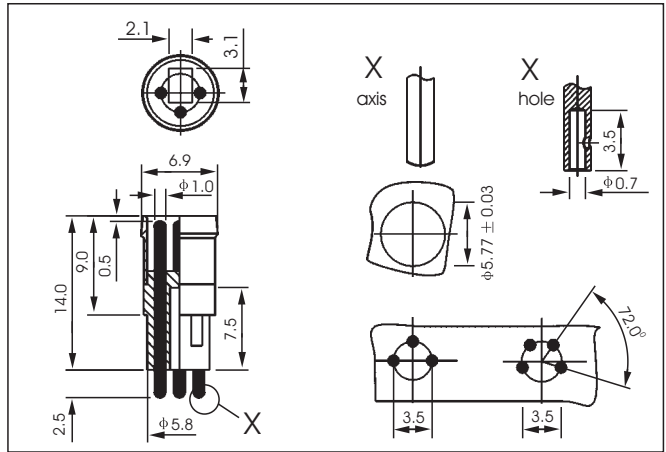
PICO-STYLE QUICK DISCONNECT RECEPTACLES

View



- Pico-style insert
- for proximity switch M8
- Snap-in device
- Transparent washer

Dimensional data



Technical Data

Application Class: HNE acc. to DIN 40040
 (-25 °C / +90 °C / ≤ 75%rF)

Nominal Power: 4A

Nominal Voltage: 60VAC/75VDC

Contact: CuZn, pre-nickel and
 0.8 microns gold-plated

Moulded Body: PA 6.6 GF, self-extinguishing

Protection: IP 65

Mode of Connection: Solder type

Insulation Group: C acc. To VDE 0110

Test Voltage: 1.5KV eff./60s.

Insulation Resistance: >10⁹ Ω

CSA certified: 219967

Catalog Number

Part-No	Poles	Face View male	Contact (Soldering side)	Max. Wire section
C-MS3NN/P-J	3		Empty conductor	Max 0.25 mm ²
C-MS4NN/P-J	4		Empty conductor	Max 0.25 mm ²
C-MS3NN/P-H	3		Solid conductor	-
C-MS4NN/P-H	4		Solid conductor	-

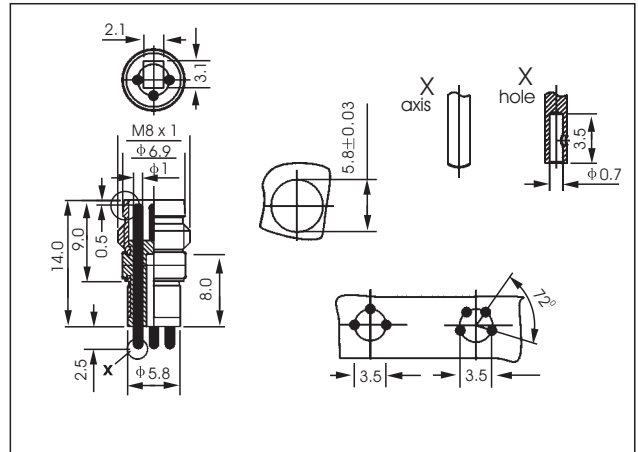
PICO-STYLE QUICK DISCONNECT RECEPTACLES

View



- For proximity switch M8
- Snap-in/locking device
- With short solder contacts
- 4 light indicator windows
- Mounting hole for LED

Dimensional data



Technical Data

Application Class: HNE acc.to DIN 40040
 (-25 °C / +90 °C / ≤ 75%rF)

Nominal Power: 4A

Nominal Voltage: 60VAC/75VDC

Contact: CuZn, pre-nickel and
 0.8microns gold-plated

Moulded Body: PA 6.6 GF, self-extinguishing

Protection: IP 65

Mode of Connection: Solder types

Insulation Group: C acc.to VDE 0110

Test Voltage: 1.5 KV eff./ 60 s.

Insulation Resistance: >10⁹ Ω

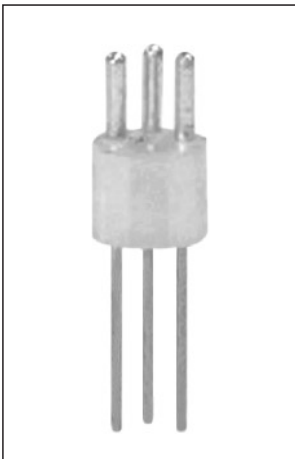
CSA certified: 219967

Catalog Number

Part-No	Poles	Face View male	Contact (Soldering side)	Max. Wire section
C-MS3NN/P-D	3		Empty conductor	Max 0.25 mm ²
C-MS4NN/P-D	4		Empty conductor	Max 0.25 mm ²
C-MS3NN/P-B	3		Solid conductor	-
C-MS4NN/P-B	4		Solid conductor	-

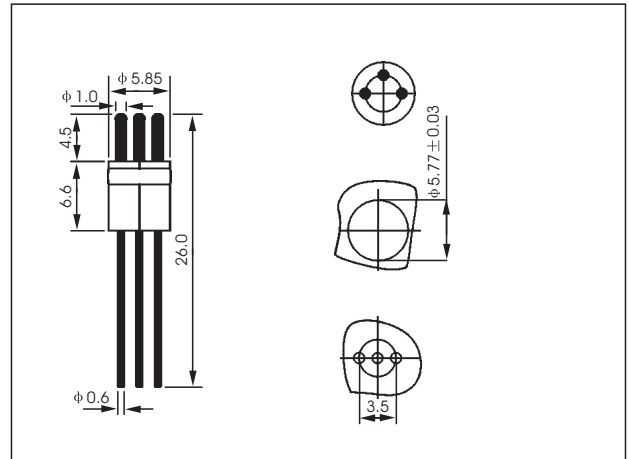
PICO-STYLE QUICK DISCONNECT RECEPTACLES

View



- Pico-style plug insert for proximity switch M8
- With long solder contacts

Dimensional data



Technical Data

Application Class: HNE acc. to DIN 40040
 (-25 °C / +90 °C / ≤ 75%rF)

Nominal Power: 4A

Nominal Voltage: 60VAC/75VDC

Contact: CuZn, pre-nickeled and
 0.8 microns gold-plated

Moulded Body: PA 6.6 GF, self-extinguishing

Mode of connection: Solder type

Insulation Group: C acc.to VDE 0110

Test Voltage: 1.5KV eff./60s.

Insulation Resistance: >10⁹ Ω

CSA certified: 219967

Catalog Number

Part-No	Poles	Face View male	Max. Wire section	Contact (Soldering side)
C-MS3-L	3		—	Sold conductor

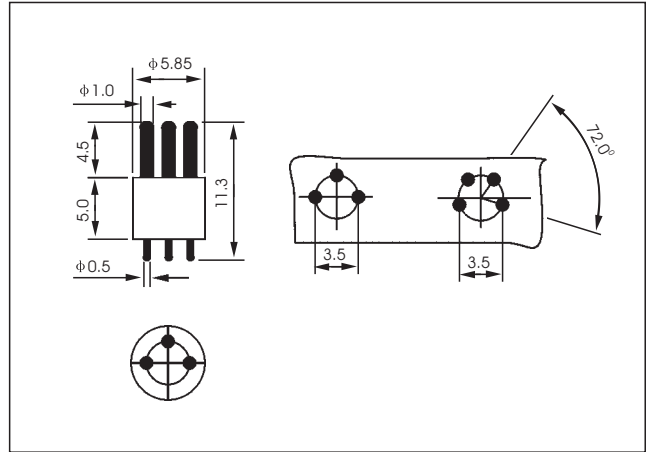
PICO-STYLE QUICK DISCONNECT RECEPTACLES

View



- Pico-style plug insert for proximity switch M8
- With short solder contacts

Dimensional data



Technical Data

Application Class: HNE acc.to DIN 40040
(-25 °C / +90 °C / ≤ 75%rF)

Nominal Power: 4A

Nominal Voltage: 60VAC/75VDC

Contact: CuZn, pre-nickeled and
0.8microns gold-plated

Moulded Body: PA 6.6 GF, self-extinguishing

Mode of Connection: Solder types

Insulation Group: C acc.to VDE 0110

Test Voltage: 1.5 KV eff./ 60 s.

Insulation Resistance: > 10⁹Ω

CSA certified: 219967

Catalog Number

Part-No	Poles	Face View male	Ventilation Hole φ mm	Contact (Soldering side)
C-MS3-S	3		-	Sold conductor
C-MS4-S	4		-	Sold conductor

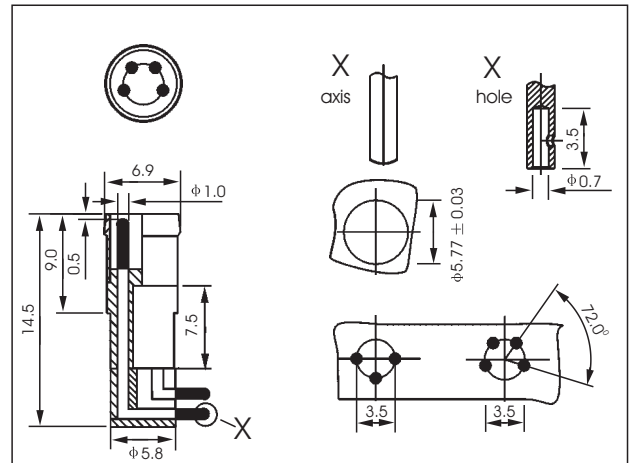
PICO-STYLE QUICK DISCONNECT RECEPTACLES

View



- Pico-style insert
- for proximity switch M8
- Snap-in device

Dimensional data



Technical Data

Application Class: HNE acc. to DIN 40040
 (-25 °C / +90 °C / ≤ 75%rF)

Nominal Power: 4A

Nominal Voltage: 60VAC/75VDC

Contact: CuZn, pre-nickeled and
 0.8 microns gold-plated

Moulded Body: PA 6.6 GF, self-extinguishing

Protection: IP 65

Mode of Connection: Solder type

Insulation Group: C acc. To VDE 0110

Test Voltage: 1.5KV eff./60s.

Insulation Resistance: >10⁹ Ω

CSA certified: 219967

Catalog Number

Part-No	Poles	Face View male	Contact (Soldering side)	Max. Wire section
C-MA3NN/P-J	3		Empty conductor	Max 0.25 mm ²
C-MA4NN/P-J	4		Empty conductor	Max 0.25 mm ²
C-MA3NN/P-H	3		Solid conductor	-
C-MA4NN/P-H	4		Solid conductor	-