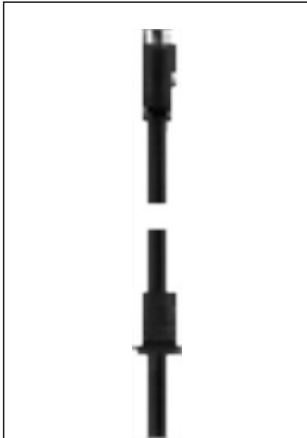


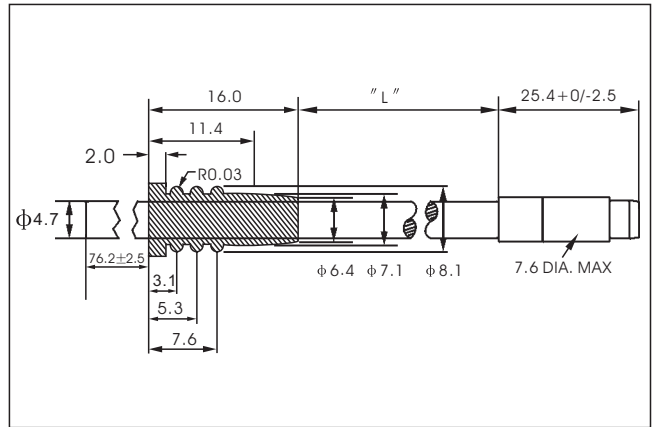
PICO-STYLE QUICK DISCONNECT CABLES

View



- Straight Male Pico-style
- Snap-in and locking device
- With moulded cable

Dimensional data



Technical Data

Application Class: HNE acc.to DIN 40040
 (-25 °C / +90 °C / ≤ 75%rF)

Moulded Body: PA6.6, self-extinguishing

Nominal Power: 4A

Nominal Voltage: 60VAC/75VDC

Contact: CuZn, pre-nickel and
 0.8 microns gold-plated

Body: TPU & PVC, self-extinguishing

Insulation Group: C acc.to VDE 0110

Protection: IP 65

Test Voltage: 1.5 KV eff./ 60 s.

Insulation Resistance: >10⁹Ω

CSA certified: 219967

Catalog Number

Part-No	Poles	Face View male	Color Code	Conductors		Outer Jacket	
				Guage	Stranding	φ mm	Material
C-MS4NZV072 +Overmolding	4		1=brown 2=white 3=blue 4=black	0.15mm ²	13 x φ 0.12	5.0	PVC

Standard length: 2.0 m, 5.0 m, 7.5 m, 10.0 m. Other cable length or cable specifications on request.