

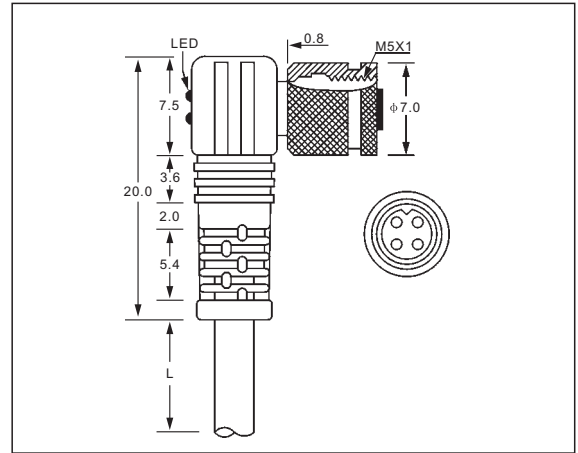
ULTRA MINI-STYLE QUICK DISCONNECT CABLES

View



- Female ultra mini-style
- Right angle
- Screw locking with (auto) securing safety nut
- With moulded cable

Dimensional data



Technical Data

Application Class: HNE acc.to DIN 40040
(-25°C/+90°C/≤75%rF)

Moulded Body: TPU, self-extinguishing

Nominal Power: 4A

Nominal Voltage: 60VAC/75VDC

Contact: CuZn, pre-nickeled and
0.8microns gold-plated

O-Ring: Viton

Body: TPU, self-extinguishing

Securing Safety Nut: Nickel plated brass

Protection: IP 67

Contact Resistance: ≤5m Ω

Insulation Group: C acc.to VDE 0110

Test Voltage: 1.5KV eff./60s.


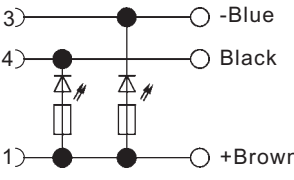

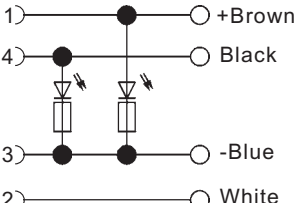

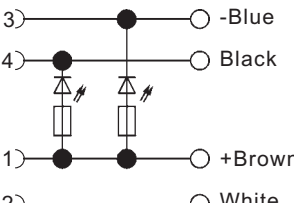

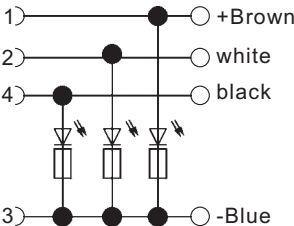
Insulation Resistance: >10⁹ Ω

Catalog Number

Part-No	Poles	Face View Female	Color Code	Conductors		Outer Jacket		Circuit LED-indicator	
				Guage	Stranding	φ mm	Material		
M-FA4/3TPV1182/A	4		1=brown 2=- 3=blue 4=black	0.18mm ²	36xφ0.08	3.0	PVC	<p>A type pnp-normally open =yellow-green</p>	
M-FA4/3TPY1192/A							PUR/PVC		
M-FA4/3TPV1182/H	4		1=brown 2=black 3=blue 4=-	0.18mm ²	36xφ0.08	3.0	PVC		<p>H type pnp-normally closed =yellow-green</p>
M-FA4/3TPY1192/H							PUR/PVC		

Standard length: 2.0 m, 5.0 m, 7.5 m, 10.0 m. Other cable length or cable specifications on request.

ULTRA MINI-STYLE QUICK DISCONNECT CABLES

Catalog Number								
Part-No	Poles	Face View Female	Color Code	Conductors		Outer Jacket		Circuit LED-indicator
				Guage	Stranding	φ mm	Material	
M-FA4/3TNV1182/C	4		1=brown 2=- 3=blue 4=black	0.18mm ²	36xφ0.08	3.0	PVC	<p>C type npn-normally open =yellow-green</p> 
M-FA4/3TNY1192/C							PUR/PVC	
M-FA4TPV1202/F	4		1=brown 2=white 3=blue 4=black	0.18mm ²	36xφ0.08	3.0	PVC	<p>F type pnp-normally closed/open =yellow-green</p> 
M-FA4TPY1212/F							PUR/PVC	
M-FA4TNV1202/G	4		1=brown 2=white 3=blue 4=black	0.18mm ²	36xφ0.08	3.0	PVC	<p>G type npn-normally closed/open =yellow-green</p> 
M-FA4TNY1212/G							PUR/PVC	
M-FA4TPV1202/P	4		1=brown 2=white 3=blue 4=black	0.18mm ²	36xφ0.08	3.0	PVC	<p>P type pnp-normally closed/open =yellow-yellow-green</p> 
M-FA4TPY1212/P							PUR/PVC	

Standard length: 2.0 m, 5.0 m, 7.5 m, 10.0 m. Other cable length or cable specifications on request.

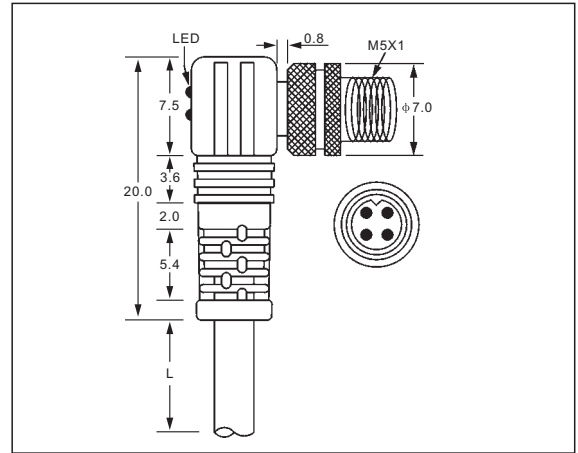
ULTRA MINI-STYLE QUICK DISCONNECT CABLES

View



- Male ultra mini-style
- Right angle
- Screw locking with (auto) securing safety nut
- With moulded cable

Dimensional data



Technical Data

Application Class: HNE acc.to DIN 40040
(-25°C/+90°C/≤75%rF)

Moulded Body: TPU, self-extinguishing

Nominal Power: 4A

Nominal Voltage: 60VAC/75VDC

Contact: CuZn, pre-nickeled and
0.8microns gold-plated

O-Ring: Viton

Body: TPU, self-extinguishing

Securing Safety Nut: Nickel plated brass

Protection: IP 67

Contact Resistance: ≤5m Ω

Insulation Group: C acc.to VDE 0110

Test Voltage: 1.5KV eff./60s.

Insulation Resistance: >10⁹ Ω

Catalog Number

Part-No	Poles	Face View Male	Color Code	Conductors		Outer Jacket		Circuit LED-indicator
				Guage	Stranding	φ mm	Material	
M-MA4/3TPV1182/A	4		1=brown 2=- 3=blue 4=black	0.18mm ²	36xφ0.08	3.0	PVC	<p>A type pnp-normally open =yellow-green</p>
M-MA4/3TPY1192/A							PUR/PVC	
M-MA4/3TPV1182/H	4		1=brown 2=black 3=blue 4=-	0.18mm ²	36xφ0.08	3.0	PVC	<p>H type pnp-normally closed =yellow-green</p>
M-MA4/3TPY1192/H							PUR/PVC	

Standard length: 2.0 m, 5.0 m, 7.5 m, 10.0 m. Other cable length or cable specifications on request.

ULTRA MINI-STYLE QUICK DISCONNECT CABLES

Catalog Number								
Part-No	Poles	Face View Male	Color Code	Conductors		Outer Jacket		Circuit LED-indicator
				Guage	Stranding	φ mm	Material	
M-MA4/3TNV1182/C	4		1=brown 2=- 3=blue 4=black	0.18mm ²	36xφ0.08	3.0	PVC	<p>C type npn-normally open =yellow-green</p>
M-MA4/3TNY1192/C							PUR/PVC	
M-MA4TPV1202/F	4		1=brown 2=white 3=blue 4=black	0.18mm ²	36xφ0.08	3.0	PVC	<p>F type pnp-normally closed/open =yellow-green</p>
M-MA4TPY1212/F							PUR/PVC	
M-MA4TNV1202/G	4		1=brown 2=white 3=blue 4=black	0.18mm ²	36xφ0.08	3.0	PVC	<p>G type npn-normally closed/open =yellow-green</p>
M-MA4TNY1212/G							PUR/PVC	
M-MA4TPV1202/P	4		1=brown 2=white 3=blue 4=black	0.18mm ²	36xφ0.08	3.0	PVC	<p>P type pnp-normally closed/open =yellow-yellow-green</p>
M-MA4TPY1212/P							PUR/PVC	

Standard length: 2.0 m, 5.0 m, 7.5 m, 10.0 m. Other cable length or cable specifications on request.