

CUBE TOWER

CMC82



NPN/PNP

IP54

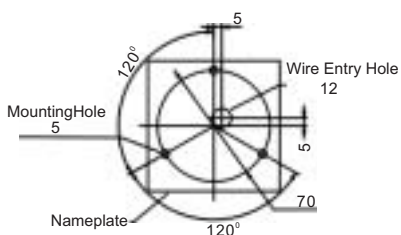


Dimensions



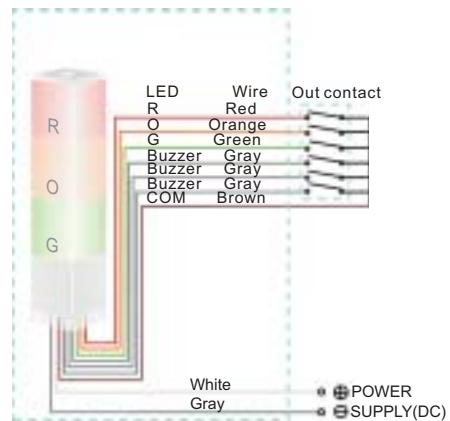
Height (mm)

- 1Light : 173
- 2Lights : 256
- 3Lights : 339

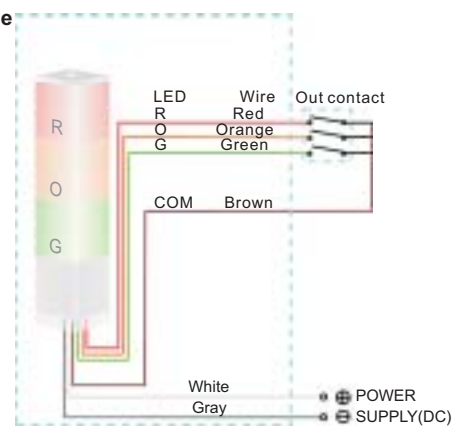


Wiring Diagram In Direct Power Connection

With Buzzer type

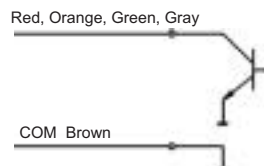


Without Buzzer type



Open collector

NPN transistor



Describing

- Colours: Red, Orange, Green(combination in photo is standard; for other combinations, please contact us)
- Lens: Acrylic resin with superior weather resistance and light translucence.
- Sound level: Max 85 dB/m
- Luminosity greatly improved thanks to newly developed LED integrated unit and reflection system.
LED used as light source (red 15 units, Orange 15 units, green 30 units), ending problem of burned out bulbs.
- Various types of information can be displayed by using different colours controlled by several (1 to 3) external Signals.
- This model contains open-collector type NPN transistor which allows direct connection to Programmable Controller.
- This series has Continuous, continuous with warning sound type according to operation methods.
- For details information, please refer to selected guide.
- Vibration Resistance: 10~55HZ Frequency, 0.5mm amplitude in Y direction for 40 minutes.
- Shock resistance 500m/s² acceleration(approx.50G)in Y direction for three times.

Type

LED Type

Style	Rated Voltage	Wattage	Model		Wire type
			Continuous Light	Continuous Light With Warning Sound	
1 Light	DC 24V	6W MAX	CMC82-LA0E-11	CMC82-LD0E-11	Power source and Lead wire UL AWM1430 105 ^o 300V VW-1 AWG20
	AC 110V		CMC82-LA0M-11	CMC82-LD0M-11	
	AC 220V		CMC82-LA0N-11	CMC82-LD0N-11	
2 Light	DC 24V	12W MAX	CMC82-LA0E-21	CMC82-LD0E-21	
	AC 110V		CMC82-LA0M-21	CMC82-LD0M-21	
	AC 220V		CMC82-LA0N-21	CMC82-LD0N-21	
3 Light	DC 24V	18W MAX	CMC82-LA0E-31	CMC82-LD0E-31	
	AC 110V		CMC82-LA0M-31	CMC82-LD0M-31	
	AC 220V		CMC82-LA0N-31	CMC82-LD0N-31	