

CUBE TOWER

CRC82



NPN/PNP

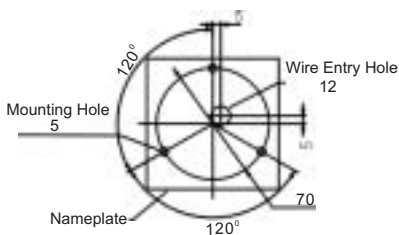
IP23



Dimensions

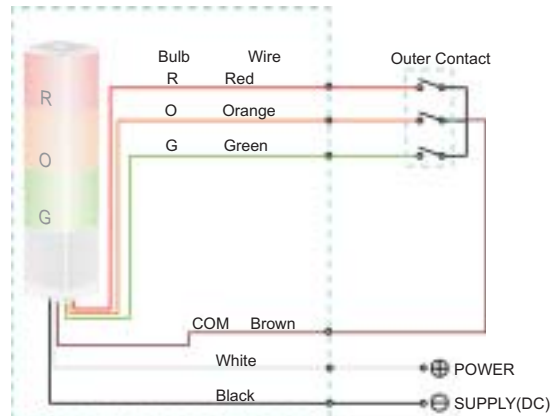


Height (mm)	
1Light :	173
2Lights :	256
3Lights :	339

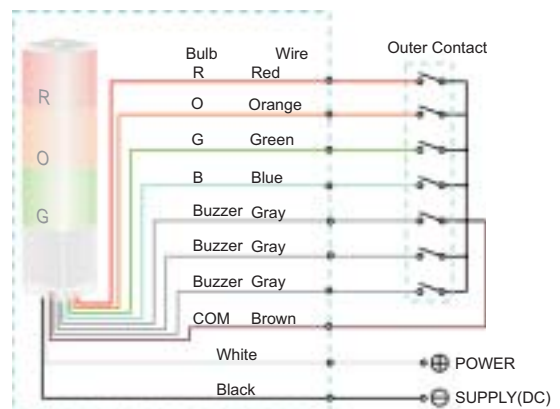


Wiring Diagram In Direct Power Connection

With Buzzer type

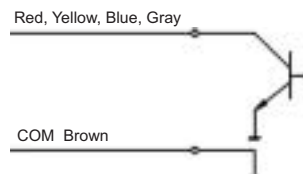


Without Buzzer type



Open collector

NPN transistor



Describing

- Colours: Red, Orange, Green, Blue (combination in photo is standard; for other combinations, please contact us)
- Lens: Acrylic resin with superior weather resistance and light translucence.
- Sound level: Max 80 dB/m
- Colour combinations can be easily changed.
- Various types of information can be easily changed.
- Various types of information can be displayed by using different colours controlled by several (1 to 3) external signals.
- This model contains open-collector type NPN, PNP transistor which allows direct connection to Programmable Controller.
- Emits intermittent electronic buzzer sound together with rotary flash; buzzer can be operated from one to all layers
- Buzzer sound; intermittent pee-pee sound.
- This series has Flashing, Flashing with warning sound type according to operation methods.
- For details information, please refer to selected guide.
- Vibration Resistance: 10~55HZ Frequency, 0.5mm amplitude in Y direction for 40 minutes.
- Shock resistance 500m/s² acceleration (approx. 50G) in Y direction for three times.

Type

■ Bulb Type

Style	Rated Voltage	Wattage	Model		Wire type
			Flashing Light	Flashing Light With Warning Sound	
1 Light	DC 12V	6W	CRC82-BB0B-11	CRC82-BE0B-11	Power source and Lead wire UL AWM1430 105 ⁰ 300V VW-1 AWG20
	DC 24V	12W	CRC82-BB0E-11	CRC82-BE0E-11	
	AC 110V	8W	CRC82-BB0M-11	CRC82-BE0M-11	
	AC 220V		CRC82-BB0N-11	CRC82-BE0N-11	
2 Light	DC 12V	11W	CRC82-BB0B-21	CRC82-BE0B-21	
	DC 24V	24W	CRC82-BB0E-21	CRC82-BE0E-21	
	AC 110V	16W	CRC82-BB0M-21	CRC82-BE0M-21	
	AC 220V		CRC82-BB0N-21	CRC82-BE0N-21	
3 Light	DC 12V	16W	CRC82-BB0B-31	CRC82-BE0B-31	
	DC 24V	35W	CRC82-BB0E-31	CRC82-BE0E-31	
	AC 110V	23W	CRC82-BB0M-31	CRC82-BE0M-31	
	AC 220V		CRC82-BB0N-31	CRC82-BE0N-31	