

# CUBE TOWER

## CMC82



NPN/PNP

IP54

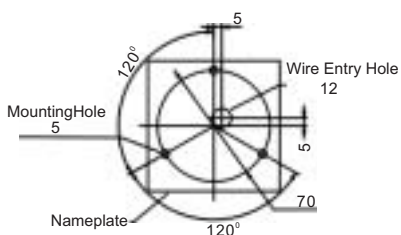


### Dimensions



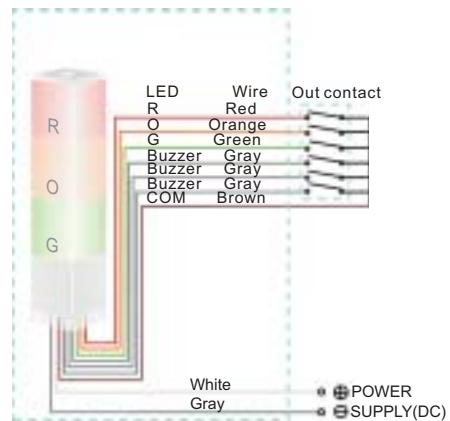
Height (mm)

- 1Light : 173
- 2Lights : 256
- 3Lights : 339

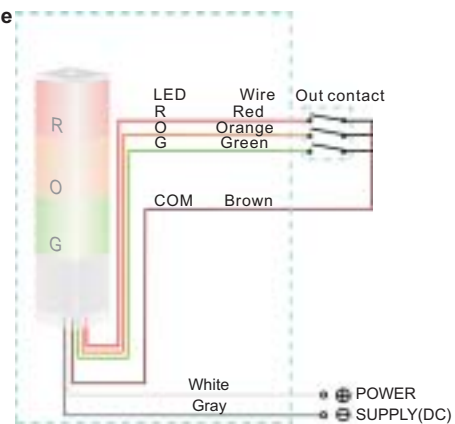


### Wiring Diagram In Direct Power Connection

With Buzzer type

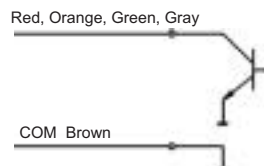


Without Buzzer type



Open collector

NPN transistor



## Describing

- Colours: Red, Orange, Green(combination in photo is standard; for other combinations, please contact us)
- Lens: Acrylic resin with superior weather resistance and light translucence.
- Sound level: Max 85 dB/m
- Luminosity greatly improved thanks to newly developed LED integrated unit and reflection system.  
LED used as light source ( red 15 units, Orange 15 units, green 30 units), ending problem of burned out bulbs.
- Various types of information can be displayed by using different colours controlled by several (1 to 3) external Signals.
- This model contains open-collector type NPN transistor which allows direct connection to Programmable Controller.
- This series has Continuous, continuous with warning sound type according to operation methods.
- For details information, please refer to selected guide.
- Vibration Resistance: 10~55HZ Frequency, 0.5mm amplitude in Y direction for 40 minutes.
- Shock resistance 500m/s<sup>2</sup> acceleration(approx.50G)in Y direction for three times.

## Type

### LED Type

Style	Rated Voltage	Wattage	Model		Wire type
			Continuous Light	Continuous Light With Warning Sound	
1 Light	DC 24V	6W MAX	CMC82-LA0E-11	CMC82-LD0E-11	Power source and Lead wire UL AWM1430 105 <sup>0</sup> 300V VW-1 AWG20
	AC 110V		CMC82-LA0M-11	CMC82-LD0M-11	
	AC 220V		CMC82-LA0N-11	CMC82-LD0N-11	
2 Light	DC 24V	12W MAX	CMC82-LA0E-21	CMC82-LD0E-21	
	AC 110V		CMC82-LA0M-21	CMC82-LD0M-21	
	AC 220V		CMC82-LA0N-21	CMC82-LD0N-21	
3 Light	DC 24V	18W MAX	CMC82-LA0E-31	CMC82-LD0E-31	
	AC 110V		CMC82-LA0M-31	CMC82-LD0M-31	
	AC 220V		CMC82-LA0N-31	CMC82-LD0N-31	

# CUBE TOWER

## CRC82

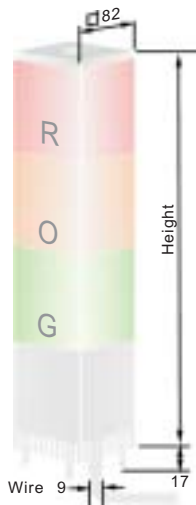


NPN/PNP

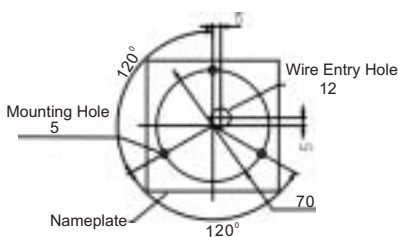
IP23



### Dimensions

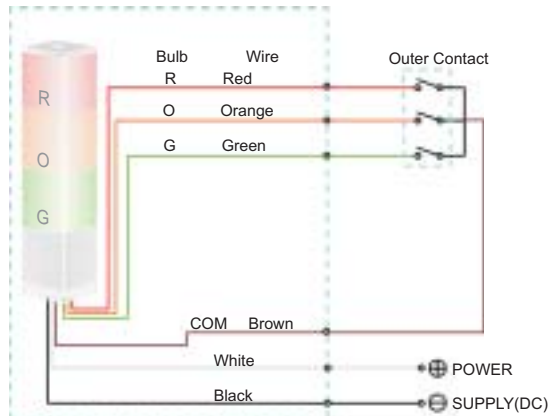


Height (mm)	
1Light :	173
2Lights :	256
3Lights :	339

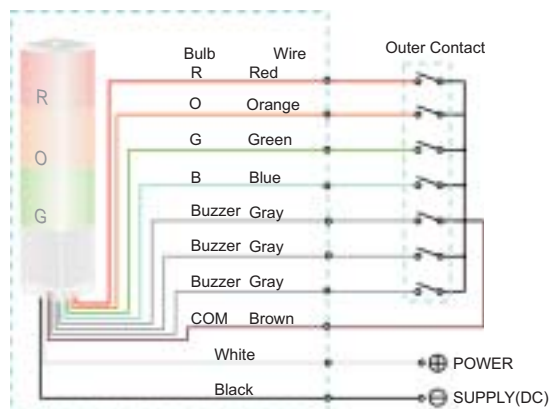


### Wiring Diagram In Direct Power Connection

#### With Buzzer type

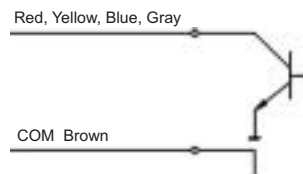


#### Without Buzzer type



#### Open collector

NPN transistor



## Describing

- Colours: Red, Orange, Green, Blue (combination in photo is standard; for other combinations, please contact us)
- Lens: Acrylic resin with superior weather resistance and light translucence.
- Sound level: Max 80 dB/m
- Colour combinations can be easily changed.
- Various types of information can be easily changed.
- Various types of information can be displayed by using different colours controlled by several (1 to 3) external signals.
- This model contains open-collector type NPN, PNP transistor which allows direct connection to Programmable Controller.
- Emits intermittent electronic buzzer sound together with rotary flash; buzzer can be operated from one to all layers
- Buzzer sound; intermittent pee-pee sound.
- This series has Flashing, Flashing with warning sound type according to operation methods.
- For details information, please refer to selected guide.
- Vibration Resistance: 10~55HZ Frequency, 0.5mm amplitude in Y direction for 40 minutes.
- Shock resistance 500m/s<sup>2</sup> acceleration (approx. 50G) in Y direction for three times.

## Type

### ■ Bulb Type

Style	Rated Voltage	Wattage	Model		Wire type
			Flashing Light	Flashing Light With Warning Sound	
1 Light	DC 12V	6W	CRC82-BB0B-11	CRC82-BE0B-11	Power source and Lead wire UL AWM1430 105 <sup>0</sup> 300V VW-1 AWG20
	DC 24V	12W	CRC82-BB0E-11	CRC82-BE0E-11	
	AC 110V	8W	CRC82-BB0M-11	CRC82-BE0M-11	
	AC 220V		CRC82-BB0N-11	CRC82-BE0N-11	
2 Light	DC 12V	11W	CRC82-BB0B-21	CRC82-BE0B-21	
	DC 24V	24W	CRC82-BB0E-21	CRC82-BE0E-21	
	AC 110V	16W	CRC82-BB0M-21	CRC82-BE0M-21	
	AC 220V		CRC82-BB0N-21	CRC82-BE0N-21	
3 Light	DC 12V	16W	CRC82-BB0B-31	CRC82-BE0B-31	
	DC 24V	35W	CRC82-BB0E-31	CRC82-BE0E-31	
	AC 110V	23W	CRC82-BB0M-31	CRC82-BE0M-31	
	AC 220V		CRC82-BB0N-31	CRC82-BE0N-31	

# CUBE TOWER

## CRC116

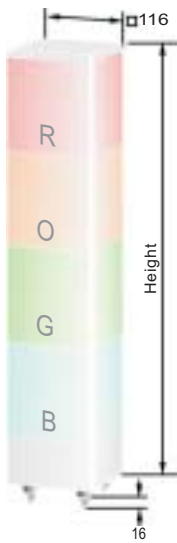


NPN/PNP

IP20

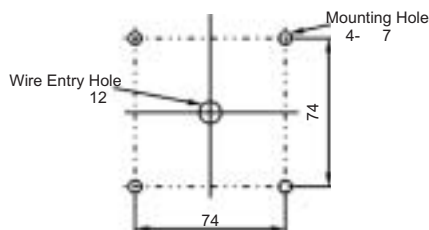


### Dimensions



Height (mm)

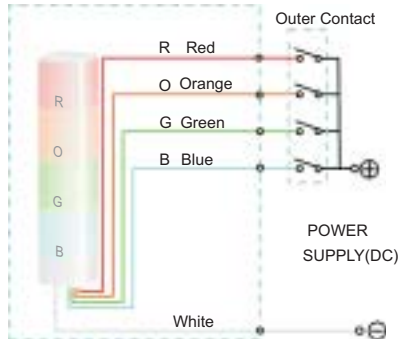
- 1Light : 185
- 2Lights : 290
- 3Lights : 395
- 4Lights : 500



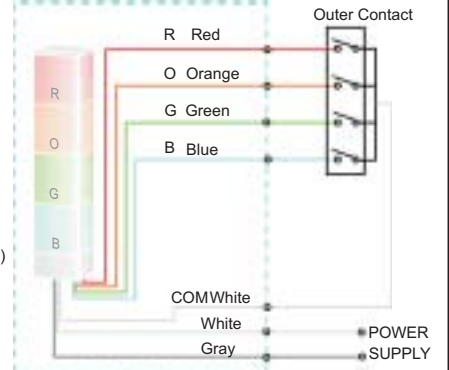
### Wiring Diagram In Direct Power Connection

Without Buzzer

(DC 24V OR DC12V)

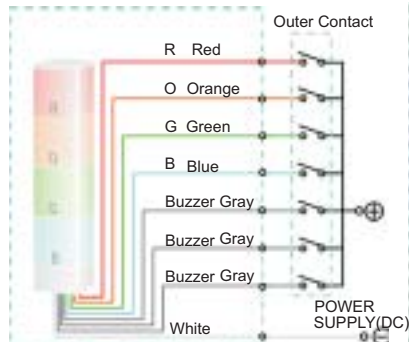


(AC 110/220V)

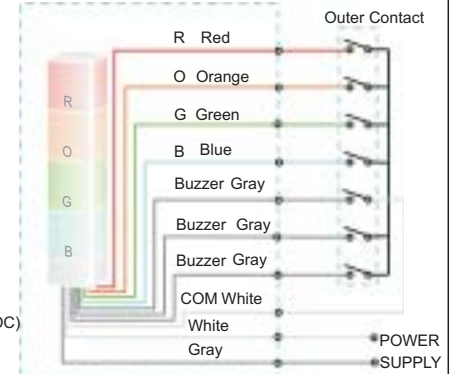


With Buzzer

(DC 24V OR DC12V)



(AC 110/220V)



## Describing

- Colours: Red, Orange, Green, Blue, (combination in photo is standard; for other combinations, please contact us.)
- Lens: Acrylic resin with superior weather resistance and light translucence.
- Sound level: Max 90 dB/m
- Colour combinations can be easily changed.
- Various types of information can be displayed by using different colours controlled by several (1 to 4) external signals.
- Our own long-life vibration resistant bulbs are used.
- Emits intermittent electronic buzzer sound together with rotary flash; buzzer can be operated from one -stage to all stages.
- Buzzer sound: intermittent pee-pee sound.
- Vibration Resistance: 10~55HZ Frequency, 0.5mm amplitude in Y direction for 40 minutes.
- Shock resistance 500m/s<sup>2</sup> acceleration (approx. 50G) in Y direction for three times.

## Type

### ■ Bulb Type

Style	Rated Voltage	Bulb	Model		Wire Type
			Flashing Light	Flashing Light With Warning Sound	
1 Light	DC 12V	12V 10W	CRC116-BB0B-11	CRC116-BE0B-11	Power source and Lead wire UL AWM1430 105° 300V VW-1 AWG20
	DC 24V	24V 10W	CRC116-BB0E-11	CRC116-BE0E-11	
	AC 24V		CRC116-BB0D-11	CRC116-BE0D-11	
	AC 110V	12V 5W	CRC116-BB0M-11	CRC116-BE0M-11	
	AC 220V		CRC116-BB0N-11	CRC116-BE0N-11	
2 Light	DC 12V	12V 10W	CRC116-BB0B-21	CRC116-BE0B-21	
	DC 24V	24V 10W	CRC116-BB0E-21	CRC116-BE0E-21	
	AC 24V		CRC116-BB0D-21	CRC116-BE0D-21	
	AC 110V	12V 5W	CRC116-BB0M-21	CRC116-BE0M-21	
	AC 220V		CRC116-BB0N-21	CRC116-BE0N-21	
3 Light	DC 12V	12V 10W	CRC116-BB0B-31	CRC116-BE0B-31	
	DC 24V	24V 10W	CRC116-BB0E-31	CRC116-BE0E-31	
	AC 24V		CRC116-BB0D-31	CRC116-BE0D-31	
	AC 110V	12V 5W	CRC116-BB0M-31	CRC116-BE0M-31	
	AC 220V		CRC116-BB0N-31	CRC116-BE0N-31	
4 Light	DC 12V	12V 10W	CRC116-BB0B-41	CRC116-BE0B-41	
	DC 24V	24V 10W	CRC116-BB0E-41	CRC116-BE0E-41	
	AC 24V		CRC116-BB0D-41	CRC116-BE0D-41	
	AC 110V	12V 5W	CRC116-BB0M-41	CRC116-BE0M-41	
	AC 220V		CRC116-BB0N-41	CRC116-BE0N-41	