

SIGNAL TOWER

MAD40



Vibration Resistant

NPN/PNP
IP20



Optional parts



STZ-014



Optional parts

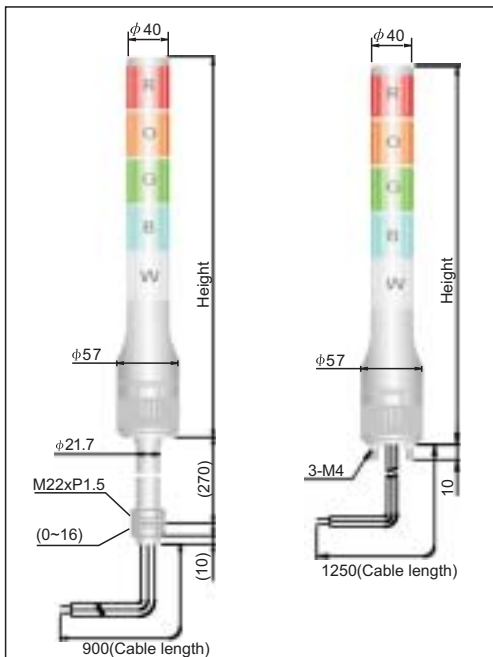


STZ-013

STZ-010

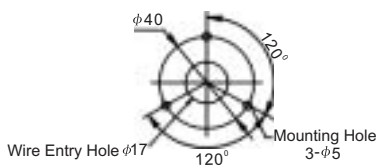
STZ-017

Dimensions



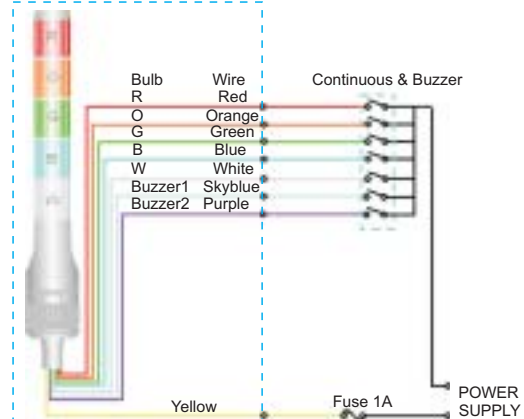
Height (mm)

- 1Light : 185
- 2Lights : 240
- 3Lights : 295
- 4Lights : 350
- 5Lights : 405

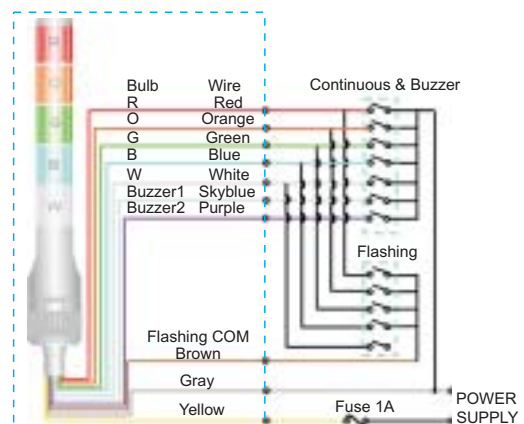


Wiring Diagram In Direct Power Connection

Continuous type



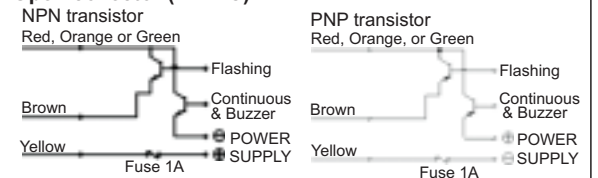
Flashing type



Wire colour

Bulb Unit Colour	Wire Colour
Red Unit	Red Wire
Orange Unit	Orange Wire
Green Unit	Green Wire
Blue Unit	Blue Wire
White Unit	White Wire

Open collector (24VDC)



Describing

- Colours: Red, Orange, Green, Blue, White (combination in photo is standard; for other combinations, please Contact us)
- Lens: Polycarbonate resin with superior resistance to impact and heat.
- The unique vibration absorbing structure using new materials helps reduce vibration and impact from all machines and devices, greatly extending bulb life.
- The buzzer has 2 different gentle sounds high volume: 80dB/m.
- Colour combinations can be easily changed.
- Prism-cut lens disperses the light source, improving visibility.
- This model contains open-collector type NPN, PNP transistor which allows direct connection to Programmable Controller. (24V type only).
- Various types of information can be displayed by using different colours controlled by several (1 to 5) external signals.
- The CSA & CE marking is available. The CSA approval number is 219967-143081.
- This series has Continuous Light with warning sound and Continuous/Flashing Light with warning sound type According to operation methods.
- This series has normal, with pole type according to Distinguish code.
- For details information, please refer to selection guide.
- Vibration Resistance: 10~55HZ Frequency, 0.5mm amplitude in Y direction for 40 minutes.
- Shock resistance 500m/s² acceleration (approx. 50G) in Y direction for three times.

Type

With pole

Style	Rated Voltage	Bulb	Model		Wire type
			Continuous Light With Warning Sound	Continuous/Flashing Light With Warning Sound	
1 Light	AC/DC 24V	24V 3W	MAD40-BD1F-11	MAD40-BF1F-11	Power source and Lead wire UL AWM1430 105° 300V VW-1 AWG20
	AC 110V	110V 5W	MAD40-BD1M-11	MAD40-BF1M-11	
	AC 220V	240V5W	MAD40-BD1N-11	MAD40-BF1N-11	
2 Light	AC/DC 24V	24V 0.11A	MAD40-BD1F-21	MAD40-BF1F-21	
	AC 110V	110V 5W	MAD40-BD1M-21	MAD40-BF1M-21	
	AC 220V	240V5W	MAD40-BD1N-21	MAD40-BF1N-21	
3 Light	AC/DC 24V	24V 3W	MAD40-BD1F-31	MAD40-BF1F-31	
	AC 110V	110V 5W	MAD40-BD1M-31	MAD40-BF1M-31	
	AC 220V	240V5W	MAD40-BD1N-31	MAD40-BF1N-31	
4 Light	AC/DC 24V	24V 3W	MAD40-BD1F-41	MAD40-BF1F-41	
	AC 110V	110V 5W	MAD40-BD1M-41	MAD40-BF1M-41	
	AC 220V	240V5W	MAD40-BD1N-41	MAD40-BF1N-41	
5 Light	AC/DC 24V	24V 3W	MAD40-BD1F-51	MAD40-BF1F-51	
	AC 110V	110V 5W	MAD40-BD1M-51	MAD40-BF1M-51	
	AC 220V	240V5W	MAD40-BD1N-51	MAD40-BF1N-51	

Without pole

Style	Rated Voltage	Bulb	Model		Wire type
			Continuous Light With Warning Sound	Continuous/Flashing Light With Warning Sound	
1 Light	AC/DC 24V	24V 3W	MAD40-BD0F-11	MAD40-BF0F-11	Power source and Lead wire UL AWM1430 105° 300V VW-1 AWG20
	AC 110V	110V 5W	MAD40-BD0M-11	MAD40-BF0M-11	
	AC 220V	240V5W	MAD40-BD0N-11	MAD40-BF0N-11	
2 Light	AC/DC 24V	24V 3W	MAD40-BD0F-21	MAD40-BF0F-21	
	AC 110V	110V 5W	MAD40-BD0M-21	MAD40-BF0M-21	
	AC 220V	240V5W	MAD40-BD0N-21	MAD40-BF0N-21	
3 Light	AC/DC 24V	24V 3W	MAD40-BD0F-31	MAD40-BF0F-31	
	AC 110V	110V 5W	MAD40-BD0M-31	MAD40-BF0M-31	
	AC 220V	240V5W	MAD40-BD0N-31	MAD40-BF0N-31	
4 Light	AC/DC 24V	24V 3W	MAD40-BD0F-41	MAD40-BF0F-41	
	AC 110V	110V 5W	MAD40-BD0M-41	MAD40-BF0M-41	
	AC 220V	240V5W	MAD40-BD0N-41	MAD40-BF0N-41	
5 Light	AC/DC 24V	24V 3W	MAD40-BD0F-51	MAD40-BF0F-51	
	AC 110V	110V 5W	MAD40-BD0M-51	MAD40-BF0M-51	
	AC 220V	240V5W	MAD40-BD0N-51	MAD40-BF0N-51	

SIGNAL TOWER

MAD40



Vibration Resistant

NPN/PNP
IP20



Optional parts



STZ-014

Optional parts

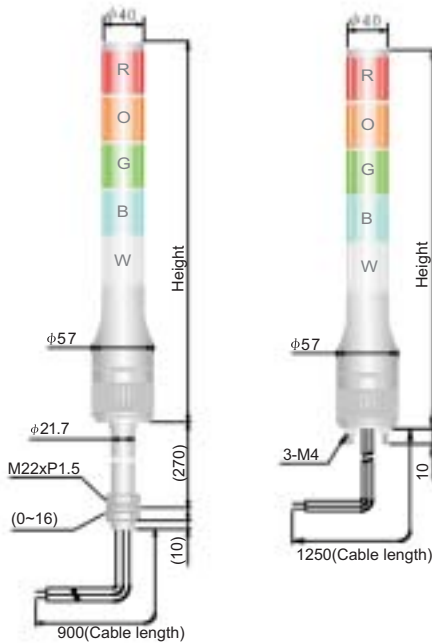
STZ-013

STZ-010

STZ-017

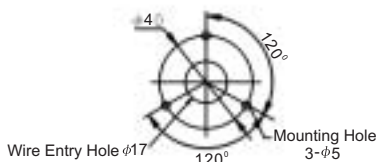


Dimensions



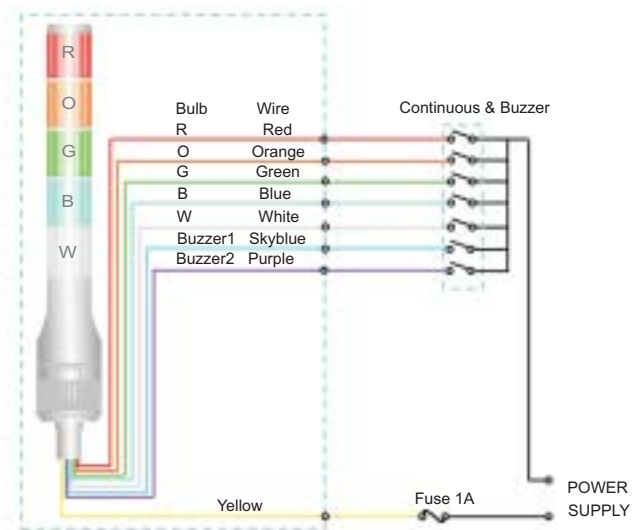
Height (mm)

- 1Light : 185
- 2Lights : 240
- 3Lights : 295
- 4Lights : 350
- 5Lights : 405



Wiring Diagram In Direct Power Connection

Continuous Type



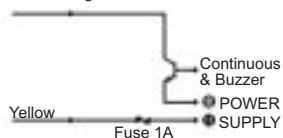
Wire Colour

LED Unit Colour	Wire Colour
Red Unit	Red Wire
Orange Unit	Orange Wire
Green Unit	Green Wire
Blue Unit	Blue Wire
White Unit	White Wire

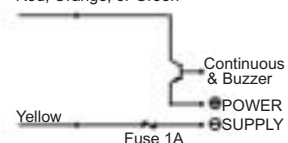
Five wires (Red, Orange, Green, Blue, White) are connected regardless of the number of LED Unit.

Open Collector (24V)

NPN Transistor
Red, Orange or Green



PNP Transistor
Red, Orange, or Green



Describing

- Colours: Super-high-intensity Red, Super-high-intensity Orange, Super-high-intensity Green, Super-high-intensity Blue, Super-high-intensity White (combination in photo is standard, for other combinations, please contact us).
- Lens: Polycarbonate resin with superior resistance to impact and heat.
Various types of information can be displayed by using different colours controlled by several (1 to 5) external signals.
- Our LED reflection system, improved luminosity and ends the problem of burned out bulbs.
- The buzzer has 2 different gentle sounds high volume; 80dB/m
- Colour combinations can be easily changed.
- This model contains open-collector type NPN, PNP transistor which allows direct connection to Programmable Controller.(24V type only)
- Customer poles up to 1000mm long are available as an extra cost option.
- The CSA & CE marking is available. The CSA approval number is 219967-143081.
- This series only has continuous light with warning sound according to operation method.
- This series has Normal, With pole, Paint, according to Distinguish code.
- For details information please refer to selection guide.
- Vibration Resistance: 10~55HZ Frequency, 0.5mm amplitude in Y direction for 40 minutes.
- Shock resistance 500m/s² acceleration (approx. 50G) in Y direction for three times.

Type

With pole

Style	Rated Voltage	Wattage	Model	Wire type
			Continuous Light With Warning Sound	
1 Light	AC/DC 24V	2W	MAD40-LD1F-11	Power source and Lead wire UL AWM1430 105° 300V VW-1 AWG20
	AC 110V	2.5W	MAD40-LD1M-11	
2 Light	AC/DC 24V	4W	MAD40-LD1F-21	
	AC 110V	5W	MAD40L-D1M-21	
3 Light	AC/DC 24V	6W	MAD40-LD1F-31	
	AC 110V	7.5W	MAD40-LD1M-31	
4 Light	AC/DC 24V	8W	MAD40-LD1F-41	
	AC 110V	10W	MAD40-LD1M-41	
5 Light	AC/DC 24V	10W	MAD40-LD1F-51	
	AC 110V	12.5W	MAD40-LD1M-51	


Without pole

Style	Rated Voltage	Wattage	Model	Wire type
			Continuous Light With Warning Sound	
1 Light	AC/DC 24V	2W	MAD40-LD0F-11	Power source and Lead wire UL AWM1430 105° 300V VW-1 AWG20
	AC 110V	2.5W	MAD40-LD0M-11	
2 Light	AC/DC 24V	4W	MAD40-LD0F-21	
	AC 110V	5W	MAD40L-D0M-21	
3 Light	AC/DC 24V	6W	MAD40-LD0F-31	
	AC 110V	7.5W	MAD40-LD0M-31	
4 Light	AC/DC 24V	8W	MAD40-LD0F-41	
	AC 110V	10W	MAD40-LD0M-41	
5 Light	AC/DC 24V	10W	MAD40-LD0F-51	
	AC 110V	12.5W	MAD40-LD0M-51	

SIGNAL TOWER

Semi-manufactured goods order guide

Light Units Order



MOD40+AD24+RED MOD40+AD24+ORANGE MOD40+AD24+GREEN

MOD40+AD24+BLUE MOD40+AD24+WHITE

MOD40+AD24+GREEN

Series No.	Rate Voltage AD24:AC/DC24V only	Light Colour RED GREEN BLUE ORANGE WHITE
-------------------	---	--

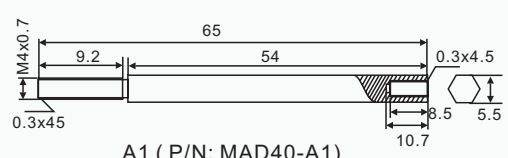
Top Cap Order



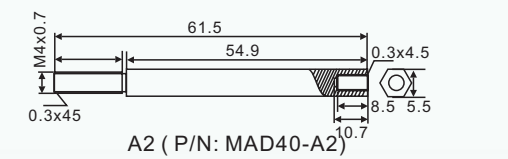
MAD40+TL

Long Screw Order

Layer	A1 (PCS)	A2 (PCS)	P/N
1	1	0	MAD40-S1
2	1	1	MAD40-S2
3	1	2	MAD40-S3
4	1	3	MAD40-S4
5	1	4	MAD40-S5



A1 (P/N: MAD40-A1)



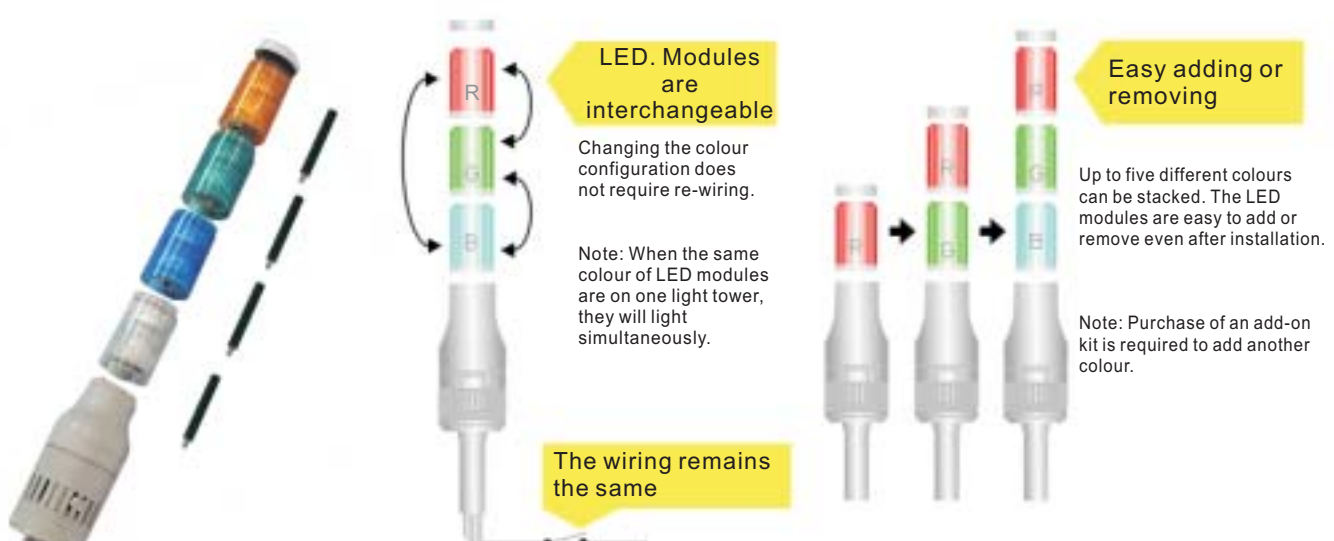
A2 (P/N: MAD40-A2)

MainBody Order



Model type+M
(E.g.: MAD40-LD1F-11+M)

Assemble Guide



LED Modules are interchangeable

Changing the colour configuration does not require re-wiring.

Note: When the same colour of LED modules are on one light tower, they will light simultaneously.

The wiring remains the same

The colour of the LED Module will always correspond to the colour of the wire

Easy adding or removing

Up to five different colours can be stacked. The LED modules are easy to add or remove even after installation.

Note: Purchase of an add-on kit is required to add another colour.