

## MLD40

Vibration Resistant

NPN/PNP

IP20



### Optional parts



STZ-012

STZ-011



### Optional parts

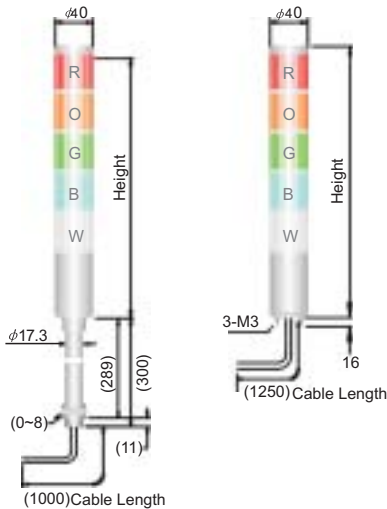


STLP-001

STL-001

STZ-014

### Dimensions

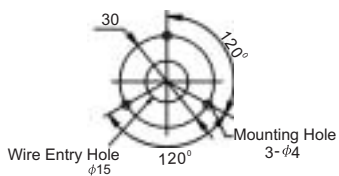


#### Height (mm)

1Light	: 121
2Lights	: 176
3Lights	: 232
4Lights	: 287
5Lights	: 342

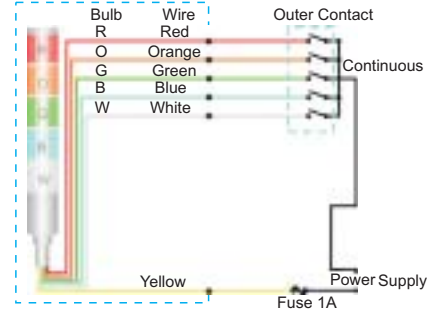
#### Height (mm)

1Light	: 166
2Lights	: 221
3Lights	: 277
4Lights	: 332
5Lights	: 387

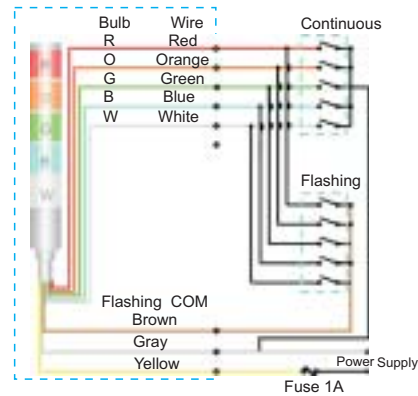


### Wiring Diagram In Direct Power Connection

#### Continuous type



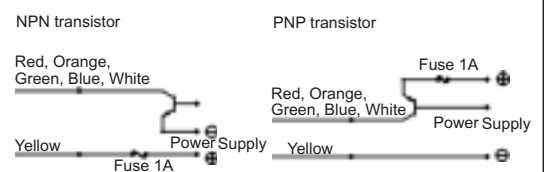
#### Flashing type



#### Wire colour

Bulb Unit Colour	Wire Colour
Red Unit	Red Wire
Orange Unit	Orange Wire
Green Unit	Green Wire
Blue Unit	Blue Wire
White Unit	White Wire

#### 24V DC Type



# SIGNAL TOWER

## Describing

- Colours: Red, Orange, Green, Blue, White .
- Lens: Polycarbonate resin with superior resistance to impact and heat.
- The unique vibration absorbing structure using new materials helps reduce vibration and impact from all machines and devices, greatly extending bulb life.
- Colour combinations can be easily changed.
- Prism-cut lens disperses the light source, improving visibility.
- Various types of information can be displayed by using different colours controlled by several (1 to 5) external signals.
- The CSA & CE marking is available. The CSA approval number is 219967-143081.
- This series has Continuous and Continuous/Flashing type according to operation methods.
- This series has Normal, With pole, Paint, Paint and with pole type according to Distinguish code.
- For details information please refer to selection guide.
- Vibration Resistance: 10~55HZ Frequency, 0.5mm amplitude in Y direction for 40 minutes.
- Shock resistance 500m/s<sup>2</sup> acceleration (approx. 50G) in Y direction for three times.

## Type

### With pole

Style	Rated Voltage	Bulb	Model		Wire type
			Continuous Light	Continuous/Flashing Light	
1 Light	AC/DC 12V	12V 3W	MLD40-BA1C-11	MLD40-BC1C-11	Power source and Lead wire UL AWM1430 105° 300V VW-1 AWG20
	AC/DC 24V	24V 3W	MLD40-BA1F-11	MLD40-BC1F-11	
	AC 110V	110V 5W	MLD40-BA1M-11	MLD40-BC1M-11	
	AC 220V	240V5W	MLD40-BA1N-11	MLD40-BC1N-11	
2 Light	AC/DC 12V	12V 3W	MLD40-BA1C-21	MLD40-BC1C-21	
	AC/DC 24V	24V 3W	MLD40-BA1F-21	MLD40-BC1F-21	
	AC 110V	110V 5W	MLD40-BA1M-21	MLD40-BC1M-21	
	AC 220V	240V5W	MLD40-BA1N-21	MLD40-BC1N-21	
3 Light	AC/DC 12V	12V 3W	MLD40-BA1C-31	MLD40-BC1C-31	
	AC/DC 24V	24V 3W	MLD40-BA1F-31	MLD40-BC1F-31	
	AC 110V	110V 5W	MLD40-BA1M-31	MLD40-BC1M-31	
	AC 220V	240V5W	MLD40-BA1N-31	MLD40-BC1N-31	
4 Light	AC/DC 12V	12V 3W	MLD40-BA1C-41	MLD40-BC1C-41	
	AC/DC 24V	24V 3W	MLD40-BA1F-41	MLD40-BC1F-41	
	AC 110V	110V 5W	MLD40-BA1M-41	MLD40-BC1M-41	
	AC 220V	240V5W	MLD40-BA1N-41	MLD40-BC1N-41	
5 Light	AC/DC 12V	12V 3W	MLD40-BA1C-51	MLD40-BC1C-51	
	AC/DC 24V	24V 3W	MLD40-BA1F-51	MLD40-BC1F-51	
	AC 110V	110V 5W	MLD40-BA1M-51	MLD40-BC1M-51	
	AC 220V	240V5W	MLD40-BA1N-51	MLD40-BC1N-51	

### Without pole

Style	Rated Voltage	Bulb	Model		Wire type
			Continuous Light	Continuous/Flashing Light	
1 Light	AC/DC 12V	12V 3W	MLD40-BA0C-11	MLD40-BC0C-11	Power source and Lead wire UL AWM1430 105° 300V VW-1 AWG20
	AC/DC 24V	24V 3W	MLD40-BA0F-11	MLD40-BC0F-11	
	AC 110V	110V 5W	MLD40-BA0M-11	MLD40-BC0M-11	
	AC 220V	240V5W	MLD40-BA0N-11	MLD40-BC0N-11	
2 Light	AC/DC 12V	12V 3W	MLD40-BA0C-21	MLD40-BC0C-21	
	AC/DC 24V	24V 3W	MLD40-BA0F-21	MLD40-BC0F-21	
	AC 110V	110V 5W	MLD40-BA0M-21	MLD40-BC0M-21	
	AC 220V	240V5W	MLD40-BA0N-21	MLD40-BC0N-21	
3 Light	AC/DC 12V	12V 3W	MLD40-BA0C-31	MLD40-BC0C-31	
	AC/DC 24V	24V 3W	MLD40-BA0F-31	MLD40-BC0F-31	
	AC 110V	110V 5W	MLD40-BA0M-31	MLD40-BC0M-31	
	AC 220V	240V5W	MLD40-BA0N-31	MLD40-BC0N-31	
4 Light	AC/DC 12V	12V 3W	MLD40-BA0C-41	MLD40-BC0C-41	
	AC/DC 24V	24V 3W	MLD40-BA0F-41	MLD40-BC0F-41	
	AC 110V	110V 5W	MLD40-BA0M-41	MLD40-BC0M-41	
	AC 220V	240V5W	MLD40-BA0N-41	MLD40-BC0N-41	
5 Light	AC/DC 12V	12V 3W	MLD40-BA0C-51	MLD40-BC0C-51	
	AC/DC 24V	24V 3W	MLD40-BA0F-51	MLD40-BC0F-51	
	AC 110V	110V 5W	MLD40-BA0M-51	MLD40-BC0M-51	
	AC 220V	240V5W	MLD40-BA0N-51	MLD40-BC0N-51	

## MLD40

NPN/PNP  
IP30



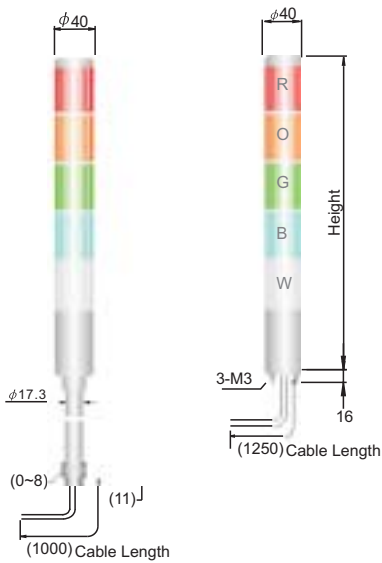
### Optional parts



### Optional parts



### Dimensions

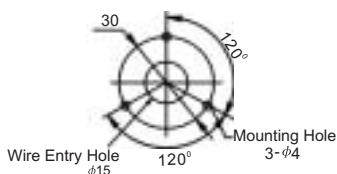


#### Height (mm)

1Light	: 166
2Lights	: 221
3Lights	: 277
4Lights	: 332
5Lights	: 387

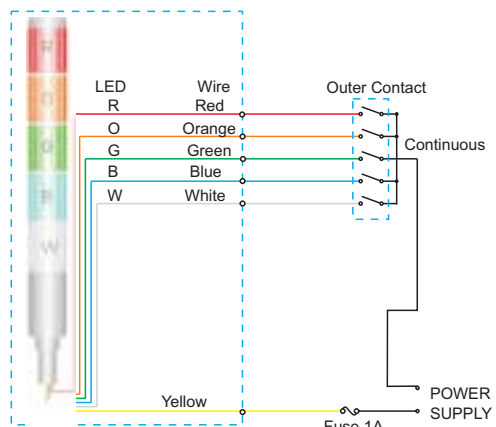
#### Height (mm)

1Light	: 121
2Lights	: 176
3Lights	: 232
4Lights	: 287
5Lights	: 342

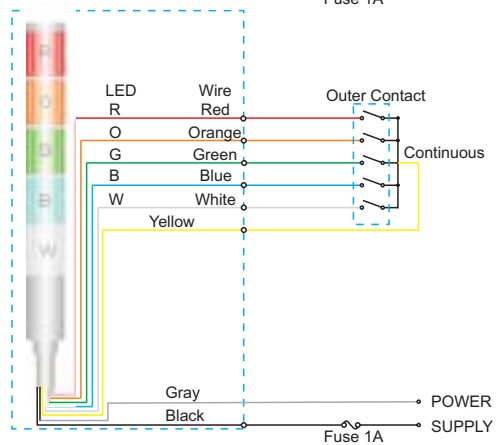


### Wiring Diagram In Direct Power Connection

#### Continuous type 12V/24V type



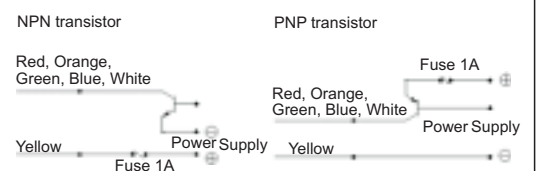
#### 110V type



#### Wire colour

LED Unit Colour	Wire Colour
Red Unit	Red Wire
Orange Unit	Orange Wire
Green Unit	Green Wire
Blue Unit	Blue Wire
White Unit	White Wire

#### 24V DC Type



# SIGNAL TOWER

## Describing

- Colours: Super-high-intensity Red, Super-high-intensity Orange, Super-high-intensity Green, Super-high-intensity Blue, super-high-intensity White.
- Lens: Polycarbonate resin with superior resistance to impact and heat.
- Our newly developed LED reflection system, improved luminosity and ends the problem of burned out bulbs. Due to the newly designed structure with independent colour unit, colour combinations can be easily changed.
- Prism-cut lens disperses the light source, improving visibility.
- This model contains open-collector type NPN, PNP transistor which allows direct connection to Programmable Controller. (24V type only)
- The CSA & CE marking is available. The CSA approval number is 219967-143081.
- This series has continuous type according to operation methods.
- This series has normal, with pole type according to Distinguish code.
- For details information, please refer to selection guide.
- Vibration Resistance: 10~55HZ Frequency, 0.5mm amplitude in Y direction for 40 minutes.
- Shock resistance 500m/s<sup>2</sup> acceleration (approx. 50G) in Y direction for three times.

## Type

### ■ With pole

Style	Rated Voltage	Wattage	Model	Wire type
			Continuous Light	
1 Light	AC/DC 24V	2W	MLD40-LA1F-11	Power source and Lead wire UL AWM1430 105° 300V VW-1 AWG20
	AC 110V	2.5W	MLD40-LA1M-11	
2 Light	AC/DC 24V	4W	MLD40-LA1F-21	
	AC 110V	5W	MLD40-LA1M-21	
3 Light	AC/DC 24V	6W	MLD40-LA1F-31	
	AC 110V	7.5W	MLD40-LA1M-31	
4 Light	AC/DC 24V	8W	MLD40-LA1F-41	
	AC 110V	10W	MLD40-LA1M-41	
5 Light	AC/DC 24V	10W	MLD40-LA1F-51	
	AC 110V	12.5W	MLD40-LA1M-51	

### ■ Without pole

Style	Rated Voltage	Wattage	Model	Wire type
			Continuous Light	
1 Light	AC/DC 24V	2W	MLD40-LA0F-11	Power source and Lead wire UL AWM1430 105° 300V VW-1 AWG20
	AC 110V	2.5W	MLD40-LA0M-11	
2 Light	AC/DC 24V	4W	MLD40-LA0F-21	
	AC 110V	5W	MLD40-LA0M-21	
3 Light	AC/DC 24V	6W	MLD40-LA0F-31	
	AC 110V	7.5W	MLD40-LA0M-31	
4 Light	AC/DC 24V	8W	MLD40-LA0F-41	
	AC 110V	10W	MLD40-LA0M-41	
5 Light	AC/DC 24V	10W	MLD40-LA0F-51	
	AC 110V	12.5W	MLD40-LA0M-51	

## Semi-manufactured goods order guide

### Light Units Order



MOD40+AD24+RED      MOD40+AD24+ORANGE      MOD40+AD24+GREEN

MOD40+AD24+BLUE      MOD40+AD24+WHITE

**MOD40+AD24+GREEN**

<b>Series No.</b>	<b>Rate Voltage</b> AD24:AC/DC24V only	<b>Light Colour</b> Red Green Blue Orange White
-------------------	---	--

### Top Cap Order



MLD40+TL

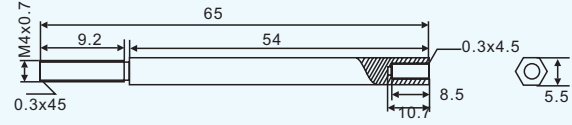
### Main Body Order



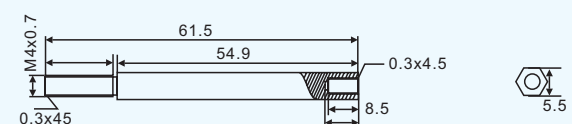
Model type+M  
(E.g.: MLD40-LE1F-11+M)

### Long Screw Order

Layer	A1(PCS)	A2(PCS)	P/N
1	1	0	MLD40-S1
2	1	1	MLD40-S2
3	1	2	MLD40-S3
4	1	3	MLD40-S4
5	1	4	MLD40-S5

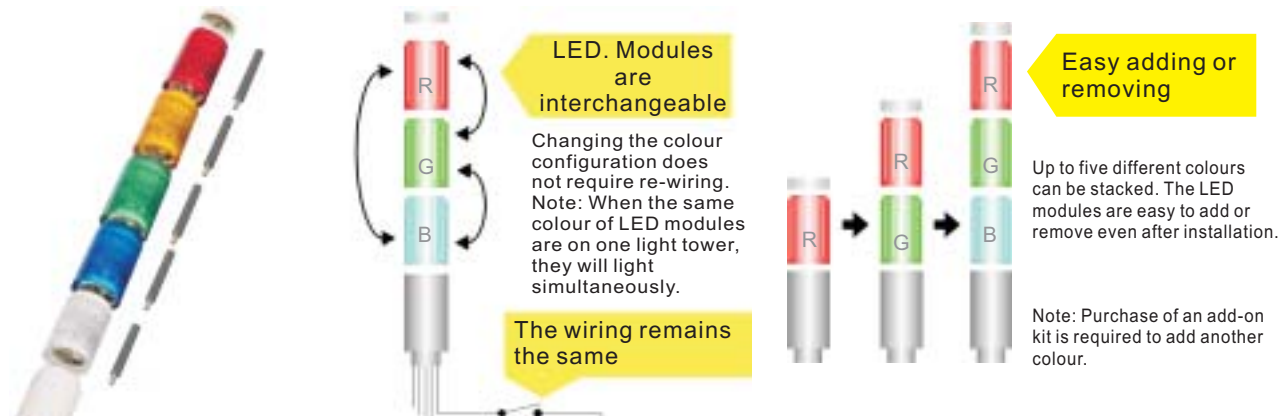


A1 ( P/N: MLD40-A1)



A2 ( P/N: MLD40-A2)

### Assemble Guide



**LED. Modules are interchangeable**

Changing the colour configuration does not require re-wiring.  
Note: When the same colour of LED modules are on one light tower, they will light simultaneously.

**The wiring remains the same**

The colour of the LED. Module will always correspond to the colour of the wire

**Easy adding or removing**

Up to five different colours can be stacked. The LED modules are easy to add or remove even after installation.

Note: Purchase of an add-on kit is required to add another colour.