

SIGNAL TOWER

MOD57



NPN/PNP

IP20



Optional parts



STZ-014

Optional parts



STZ-013



STZ-016



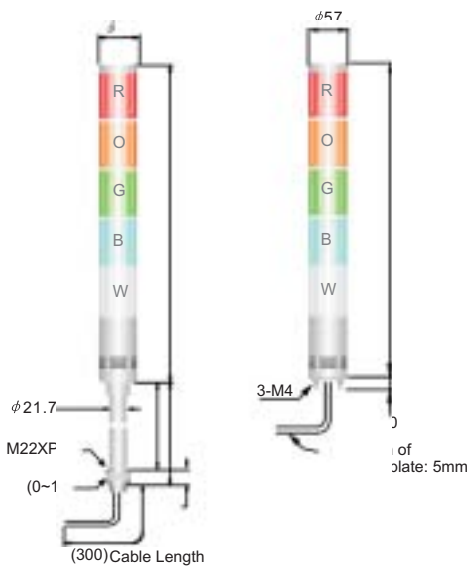
STZ-010



STZ-017



Dimensions

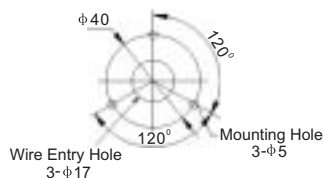


Height (mm)

1Light	: 160
2Lights	: 226
3Lights	: 292
4Lights	: 358
5Lights	: 424

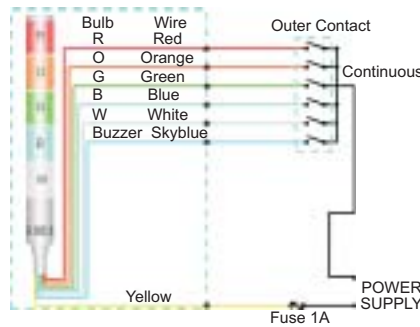
Height (mm)

1Light	: 160
2Lights	: 226
3Lights	: 292
4Lights	: 358
5Lights	: 424

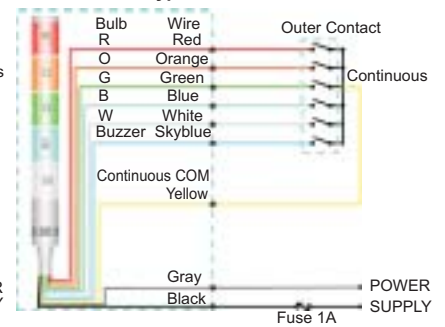


Wiring Diagram In Direct Power Connection

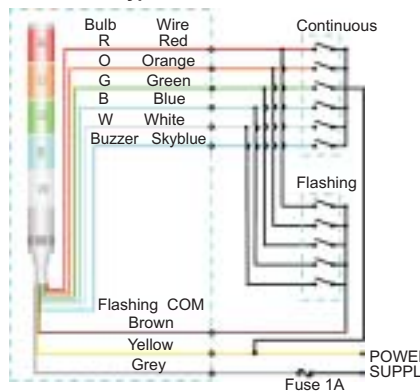
Continuous type AC/DC 24V type



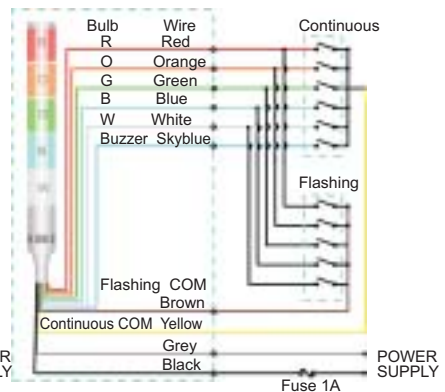
AC 110V/220V type



Flashing type AC/DC 24V type



AC 110V/220V type



Wire colour

Bulb Unit Colour	Wire Colour
Red Unit	Red Wire
Orange Unit	Orange Wire
Green Unit	Green Wire
Blue Unit	Blue Wire
White Unit	White Wire
NO	Wire Colour
Buzzer	Skyblue Wire

Describing

- Colours: Red, Orange, Green, Blue, White (combination in photo is standard; for other combinations, other Combinations, please contact us).
 - Lens: Polycarbonate resin with superior resistance to impact and heat.
 - The unique vibration absorbing structure using new materials helps reduce vibration and impact from all machines and Devices, greatly extending bulb life.
 - Long-life vibration-resistant bulbs are used.
 - Colour combinations can be easily changed.
 - Prism-cut lens disperses the light source, improving visibility.
- Various types of information can be displayed by using different colours controlled by several (1 to 5) external signals.
- Buzzer sound, lighting, and flickering can all be controlled independently.
 - High power sound volume; Max 75 dB/m
 - The CSA & CE marking is available. The CSA approval number is 219967-143081.
 - This series has Continuous Light with warning sound and Continuous/ Flashing Light with warning sound type according to Distinguish code.
 - This series has normal, with pole type according to operation methods.
 - For details information, please refer to selection guide.
 - Vibration Resistance: 10~55HZ Frequency, 0.5mm amplitude in Y direction for 40 minutes.
 - Shock resistance 500m/s² acceleration(approx.50G)in Y direction for three times.

Type

With pole

Style	Rated Voltage	Bulb	Model		Wire type
			Continuous Light With Warning Sound	Continuous/Flashing Light With Warning Sound	
1 Light	AC/DC 24V	30V 10W	MOD57-BD1F-11	MOD57-BF1F-11	Power source and Lead wire UL AWM1430 105° 300V VW-1 AWG20
	AC 110V	110V 15W	MOD57-BD1M-11	MOD57-BF1M-11	
	AC 220V	220V 15W	MOD57-BD1N-11	MOD57-BF1N-11	
2 Light	AC/DC 24V	30V 10W	MOD57-BD1F-21	MOD57-BF1F-21	
	AC 110V	110V 15W	MOD57-BD1M-21	MOD57-BF1M-21	
	AC 220V	220V 15W	MOD57-BD1N-21	MOD57-BF1N-21	
3 Light	AC/DC 24V	30V 10W	MOD57-BD1F-31	MOD57-BF1F-31	
	AC 110V	110V 15W	MOD57-BD1M-31	MOD57-BF1M-31	
	AC 220V	220V 15W	MOD57-BD1N-31	MOD57-BF1N-31	
4 Light	AC/DC 24V	30V 10W	MOD57-BD1F-41	MOD57-BF1F-41	
	AC 110V	110V 15W	MOD57-BD1M-41	MOD57-BF1M-41	
	AC 220V	220V 15W	MOD57-BD1N-41	MOD57-BF1N-41	
5 Light	AC/DC 24V	30V 10W	MOD57-BD1F5-1	MOD57-BF1F5-1	
	AC 110V	110V 15W	MOD57-BD1M5-1	MOD57-BF1M5-1	
	AC 220V	220V 15W	MOD57-BD1N5-1	MOD57-BF1N5-1	

Without pole

Style	Rated Voltage	Bulb	Model		Wire type
			Continuous Light With Warning Sound	Continuous/Flashing Light With Warning Sound	
1 Light	AC/DC 24V	30V 10W	MOD57-BD0F-11	MOD57-BF0F-11	Power source and Lead wire UL AWM1430 105° 300V VW-1 AWG20
	AC 110V	110V 15W	MOD57-BD0M-11	MOD57-BF0M-11	
	AC 220V	220V 15W	MOD57-BD0N-11	MOD57-BF0N-11	
2 Light	AC/DC 24V	30V 10W	MOD57-BD0F-21	MOD57-BF0F-21	
	AC 110V	110V 15W	MOD57-BD0M-21	MOD57-BF0M-21	
	AC 220V	220V 15W	MOD57-BD0N-21	MOD57-BF0N-21	
3 Light	AC/DC 24V	30V 10W	MOD57-BD0F-31	MOD57-BF0F-31	
	AC 110V	110V 15W	MOD57-BD0M-31	MOD57-BF0M-31	
	AC 220V	220V 15W	MOD57-BD0N-31	MOD57-BF0N-31	
4 Light	AC/DC 24V	30V 10W	MOD57-BD0F-41	MOD57-BF0F-41	
	AC 110V	110V 15W	MOD57-BD0M-41	MOD57-BF0M-41	
	AC 220V	220V 15W	MOD57-BD0N-41	MOD57-BF0N-41	
5 Light	AC/DC 24V	30V 10W	MOD57-BD0F5-1	MOD57-BF0F5-1	
	AC 110V	110V 15W	MOD57-BD0M5-1	MOD57-BF0M5-1	
	AC 220V	220V 15W	MOD57-BD0N5-1	MOD57-BF0N5-1	

SIGNAL TOWER

MOD57



Optional parts



STZ-014

Optional parts



STZ-013



STZ-016



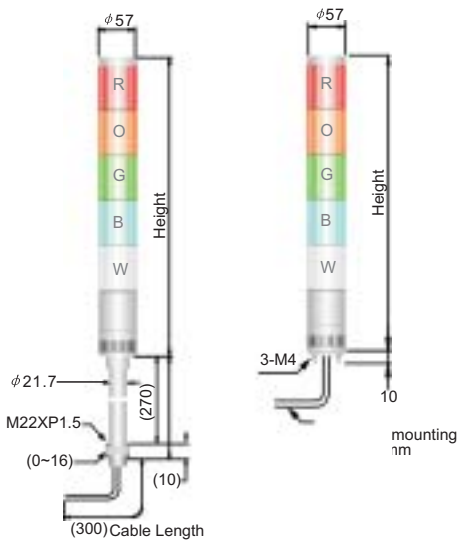
STZ-010



STZ-017



Dimensions

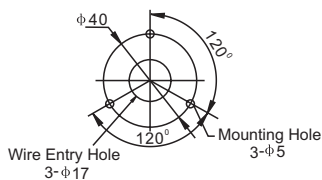


Height (mm)

1Light	: 257
2Lights	: 324
3Lights	: 391
4Lights	: 458
5Lights	: 525

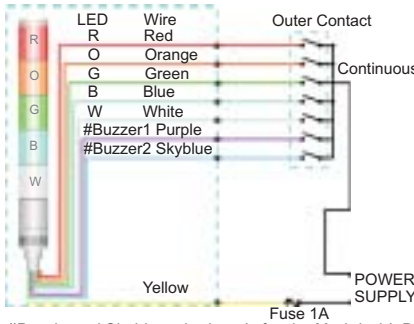
Height (mm)

1Light	: 249
2Lights	: 316
3Lights	: 383
4Lights	: 450
5Lights	: 517

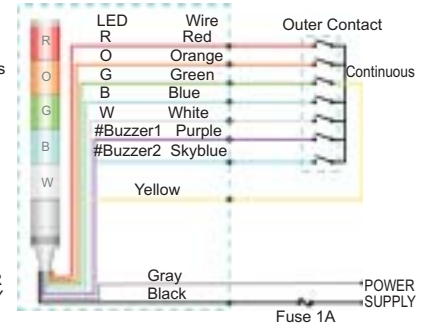


Wiring Diagram In Direct Power Connection

Continuous type AC/DC 12V/24V type

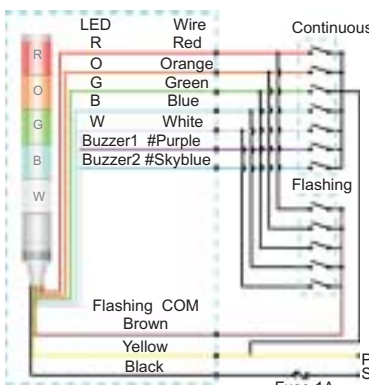


AC 110V/220V type

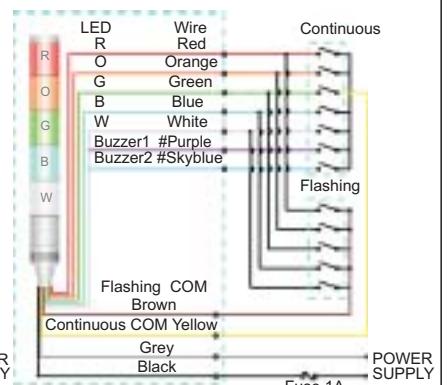


#Purple and Skyblue wire is only for the Model with Buzzer

Flashing type AC/DC 12V/24V type



AC 110V/220V type



#Brown wire is only for the type of Flashing/continuous.

#Brown wire is only for the type of Flashing/Continuous.

#Purple and Skyblue wire is only for the Model with Buzzer.

#Purple and Skyblue wire is only for the Model with Buzzer.

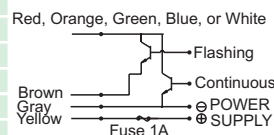
Wire colour

LED Unit Colour	Wire Colour
Red Unit	Red Wire
Orange Unit	Orange Wire
Green Unit	Green Wire
Blue Unit	Blue Wire
White Unit	White Wire
Buzzer1	Purple Wire
Buzzer2	Skyblue Wire

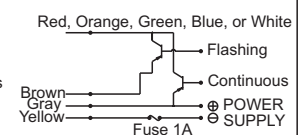
Open collector (24V)

DC Type

NPN Transistor



PNP transistor



#Five wires (Red, Orange, Green, Blue, White) are connected regardless of the number of LED Unit.

Describing

- Colours: Red, Orange, Super-high-intensity Green, Super-high-intensity Blue, Super-high-intensity White (Combination in photo is standard, for other combinations, please contact us.)
- Lens: Acrylic resin with superior weather resistance and light translucence.
- Our newly developed LED reflection system, improved luminosity and ends the problem of burned out bulbs.
- Thanks to the newly designed structure with independent colour unit, colour combinations can be easily changed.
- The buzzer has 2 different gentle sounds high volume;70-80 dB/m.
- Prism-cut lens disperses the light source, improving visibility.
- This model contains open-collector type NPN, PNP transistor which allows direct connection to Programmable controller.(100/220V type NPN only)
- The CSA & CE marking is available. The CSA approval number is 219967-143081.
- This series has Continuous , Continuous/Flashing, Continuous with warning sound and Continuous/Flashing with warning sound type according to operation methods.
- This series has normal, with pole type according to Distinguish code..
- For details information, please refer to selection guide.
- Vibration Resistance:10~55HZ Frequency, 0.5mm amplitude in Y direction for 40 minutes.
- Shock resistance 500m/s² acceleration(approx.50G)in Y direction for three times.

Type

■ With pole

Style	Rated Voltage	Wattage	Model				Wire type
			Continuous Light	Continuous/Flashing Light	Continuous Light With Warning Sound	Continuous/Flashing Light With Warning Sound	
1 Light	AC/DC 12V	1.5W	MOD57-LA1C-11	MOD57-LC1C-11	MOD57-LD1C-11	MOD57-LF1C-11	Power source and Lead wire UL AWM1430 105° 300V VW-1 AWG20
	AC/DC 24V		MOD57-LA1F-11	MOD57-LC1F-11	MOD57-LD1F-11	MOD57-LF1F-11	
	AC 110V	3.0W	MOD57-LA1M-11	MOD57-LC1M-11	MOD57-LD1M-11	MOD57-LF1M-11	
	AC 220V	3.5W	MOD57-LA1N-11	MOD57-LC1N-11	MOD57-LD1N-11	MOD57-LF1N-11	
2 Light	AC/DC 12V	2.5W	MOD57-LA1C-21	MOD57-LC1C-21	MOD57-LD1C-21	MOD57-LF1C-21	
	AC/DC 24V		MOD57-LA1F-21	MOD57-LC1F-21	MOD57-LD1F-21	MOD57-LF1F-21	
	AC 110V	5.0W	MOD57-LA1M-21	MOD57-LC1M-21	MOD57-LD1M-21	MOD57-LF1M-21	
	AC 220V	5.5W	MOD57-LA1N-21	MOD57-LC1N-21	MOD57-LD1N-21	MOD57-LF1N-21	
3 Light	AC/DC 12V	3.5W	MOD57-LA1C-31	MOD57-LC1C-31	MOD57-LD1C-31	MOD57-LF1C-31	
	AC/DC 24V		MOD57-LA1F-31	MOD57-LC1F-31	MOD57-LD1F-31	MOD57-LF1F-31	
	AC 110V	6.5W	MOD57-LA1M-31	MOD57-LC1M-31	MOD57-LD1M-31	MOD57-LF1M-31	
	AC 220V	7.0W	MOD57-LA1N-31	MOD57-LC1N-31	MOD57-LD1N-31	MOD57-LF1N-31	
4 Light	AC/DC 12V	4.5W	MOD57-LA1C-41	MOD57-LC1C-41	MOD57-LD1C-41	MOD57-LF1C-41	
	AC/DC 24V		MOD57-LA1F-41	MOD57-LC1F-41	MOD57-LD1F-41	MOD57-LF1F-41	
	AC 110V	7.5W	MOD57-LA1M-41	MOD57-LC1M-41	MOD57-LD1M-41	MOD57-LF1M-41	
	AC 220V	8.5W	MOD57-LA1N-41	MOD57-LC1N-41	MOD57-LD1N-41	MOD57-LF1N-41	
5 Light	AC/DC 12V	5.5W	MOD57-LA1C-51	MOD57-LC1C-51	MOD57-LD1C-51	MOD57-LF1C-51	
	AC/DC 24V		MOD57-LA1F-51	MOD57-LC1F-51	MOD57-LD1F-51	MOD57-LF1F-51	
	AC 110V	8.5W	MOD57-LA1M-51	MOD57-LC1M-51	MOD57-LD1M-51	MOD57-LF1M-51	
	AC 220V	10.0W	MOD57-LA1N-51	MOD57-LC1N-51	MOD57-LD1N-51	MOD57-LF1N-51	


■ Without pole

Style	Rated Voltage	Wattage	Model				Wire type
			Continuous Light	Continuous/Flashing Light	Continuous Light With Warning Sound	Continuous/Flashing Light With Warning Sound	
1 Light	AC/DC 12V	1.5W	MOD57-LA0C-11	MOD57-LC0C-11	MOD57-LD0C-11	MOD57-LF0C-11	Power source and Lead wire UL AWM1430 105° 300V VW-1 AWG20
	AC/DC 24V		MOD57-LA0F-11	MOD57-LC0F-11	MOD57-LD0F-11	MOD57-LF0F-11	
	AC 110V	3.0W	MOD57-LA0M-11	MOD57-LC0M-11	MOD57-LD0M-11	MOD57-LF0M-11	
	AC 220V	3.5W	MOD57-LA0N-11	MOD57-LC0N-11	MOD57-LD0N-11	MOD57-LF0N-11	
2 Light	AC/DC 12V	2.5W	MOD57-LA0C-21	MOD57-LC0C-21	MOD57-LD0C-21	MOD57-LF0C-21	
	AC/DC 24V		MOD57-LA0F-21	MOD57-LC0F-21	MOD57-LD0F-21	MOD57-LF0F-21	
	AC 110V	5.0W	MOD57-LA0M-21	MOD57-LC0M-21	MOD57-LD0M-21	MOD57-LF0M-21	
	AC 220V	5.5W	MOD57-LA0N-21	MOD57-LC0N-21	MOD57-LD0N-21	MOD57-LF0N-21	
3 Light	AC/DC 12V	3.5W	MOD57-LA0C-31	MOD57-LC0C-31	MOD57-LD0C-31	MOD57-LF0C-31	
	AC/DC 24V		MOD57-LA0F-31	MOD57-LC0F-31	MOD57-LD0F-31	MOD57-LF0F-31	
	AC 110V	6.5W	MOD57-LA0M-31	MOD57-LC0M-31	MOD57-LD0M-31	MOD57-LF0M-31	
	AC 220V	7.0W	MOD57-LA0N-31	MOD57-LC0N-31	MOD57-LD0N-31	MOD57-LF0N-31	
4 Light	AC/DC 12V	4.5W	MOD57-LA0C-41	MOD57-LC0C-41	MOD57-LD0C-41	MOD57-LF0C-41	
	AC/DC 24V		MOD57-LA0F-41	MOD57-LC0F-41	MOD57-LD0F-41	MOD57-LF0F-41	
	AC 110V	7.5W	MOD57-LA0M-41	MOD57-LC0M-41	MOD57-LD0M-41	MOD57-LF0M-41	
	AC 220V	8.5W	MOD57-LA0N-41	MOD57-LC0N-41	MOD57-LD0N-41	MOD57-LF0N-41	
5 Light	AC/DC 12V	5.5W	MOD57-LA0C-51	MOD57-LC0C-51	MOD57-LD0C-51	MOD57-LF0C-51	
	AC/DC 24V		MOD57-LA0F-51	MOD57-LC0F-51	MOD57-LD0F-51	MOD57-LF0F-51	
	AC 110V	8.5W	MOD57-LA0M-51	MOD57-LC0M-51	MOD57-LD0M-51	MOD57-LF0M-51	
	AC 220V	10.0W	MOD57-LA0N-51	MOD57-LC0N-51	MOD57-LD0N-51	MOD57-LF0N-51	

SIGNAL TOWER

Semi-manufactured goods order guide

Light Units Order



MOD57+AD24+BLUE MOD57+AD24+WHITE MOD57+AD24+GREEN

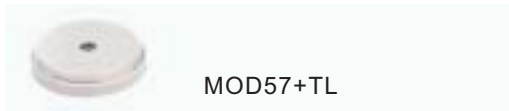
MOD57+AD24+ORANGE MOD57+AD24+RED

MOD57+AD12+GREEN

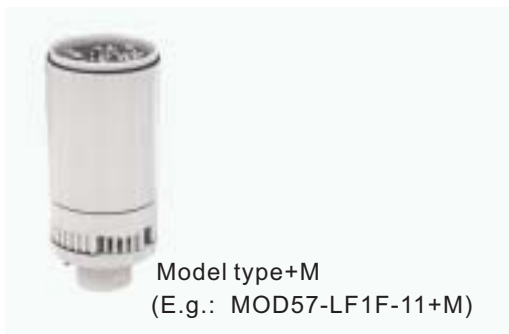
Series No.	Rate Voltage AD12:AC/DC 12V AD24:AC/DC24V	Light Colour RED GREEN BLUE ORANGE WHITE
-------------------	--	--

Note: 1. AD12 Light units only for the 12V power supply.
2. AD24 light units can be used in every voltage type, except 12V power supply.

Top Cap Order

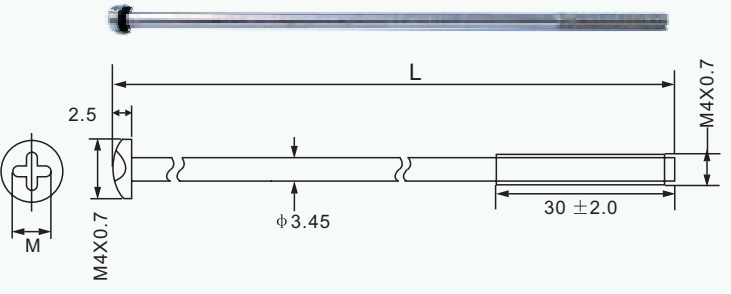


Main Body Order




Long Screw Order

Layer	Length(mm)	P/N
1	90	MOD57+S1
2	156	MOD57+S2
3	222	MOD57+S3
4	288	MOD57+S4
5	354	MOD57+S5



Assemble Guide



LED. Modules are interchangeable

Changing the colour configuration does not require re-wiring.

Note: When the same colour of LED modules are on one light tower, they will light simultaneously.

The wiring remains the same

The colour of the LED. Module will always correspond to the colour of the wire

Easy adding or removing

Up to five different colours can be stacked. The LED modules are easy to add or remove even after installation.

Note: Purchase of an add-on kit is required to add another colour.