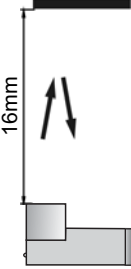






Convergent Mode

U: EP SERIES

Sensing Mode	Connection	Supply Voltage	Output Mode	Part Number
<p>Light Source: red light 650nm</p>  <p>16mm</p> <p>Convergent Mode Sensing Distance: 16mm</p>	<p>2m Cable</p> 	<p>10-30V DC (10ms on/off)</p>	NPN/PNP Light-ON	EP-C0016D-LY6C4U2
			NPN/PNP Dark-ON	EP-C0016D-DY6C4U2
			NPN/PNP L.O./D.O.	
		<p>10-30V DC (1ms on/off)</p>	NPN/PNP Light-ON	EP-C0016D-LY6C4U2-HS
			NPN/PNP Dark-ON	EP-C0016D-DY6C4U2-HS
			NPN/PNP L.O./D.O.	
	<p>9m Cable</p> 	<p>10-30V DC (10ms on/off)</p>	NPN/PNP Light-ON	
			NPN/PNP Dark-ON	
			NPN/PNP L.O./D.O.	
		<p>10-30V DC (1ms on/off)</p>	NPN/PNP Light-ON	
			NPN/PNP Dark-ON	
			NPN/PNP L.O./D.O.	
<p>Pico Style 4 Pins 6" Pigtail</p> 	<p>10-30V DC (10ms on/off)</p>	NPN/PNP Light-ON	EP-C0016D-LY6P4UP	
		NPN/PNP Dark-ON		
		NPN/PNP L.O./D.O.		
	<p>10-30V DC (1ms on/off)</p>	NPN/PNP Light-ON		
		NPN/PNP Dark-ON		
		NPN/PNP L.O./D.O.		
<p>Euro Style 4 Pins 6" Pigtail</p> 	<p>10-30V DC (10ms on/off)</p>	NPN/PNP Light-ON	EP-C0016D-LY6P4UE	
		NPN/PNP Dark-ON	EP-C0016D-DY6P4UE	
		NPN/PNP L.O./D.O.		
	<p>10-30V DC (1ms on/off)</p>	NPN/PNP Light-ON		
		NPN/PNP Dark-ON		
		NPN/PNP L.O./D.O.		