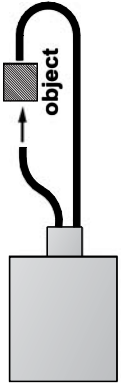






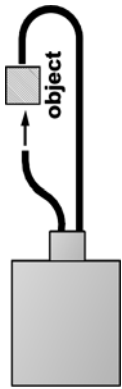




Glass Fiber Optic with Opposed Mode

U: EP SERIES

Sensing Mode	Connection	Supply Voltage	Output Mode	Part Number
<p>Light Source: Infrared 880nm</p>  <p>Glass Fiber Optic Opposed Mode Sensing Distance (Note)</p>	<p>2m Cable</p> 	<p>10-30V DC (10ms on/off)</p>	NPN/PNP Light-ON	
			NPN/PNP Dark-ON	
			NPN/PNP L.O./D.O.	
		<p>10-30V DC (1ms on/off)</p>	NPN/PNP Light-ON	
			NPN/PNP Dark-ON	
			NPN/PNP L.O./D.O.	
	<p>9m Cable</p> 	<p>10-30V DC (10ms on/off)</p>	NPN/PNP Light-ON	
			NPN/PNP Dark-ON	
			NPN/PNP L.O./D.O.	
		<p>10-30V DC (1ms on/off)</p>	NPN/PNP Light-ON	
			NPN/PNP Dark-ON	
			NPN/PNP L.O./D.O.	
	<p>6" Pigtail</p> 	<p>10-30V DC (10ms on/off)</p>	NPN/PNP Light-ON	
			NPN/PNP Dark-ON	
			NPN/PNP L.O./D.O.	
		<p>10-30V DC (1ms on/off)</p>	NPN/PNP Light-ON	
			NPN/PNP Dark-ON	
			NPN/PNP L.O./D.O.	
	<p>Euro Style 4 Pins 6" Pigtail</p> 	<p>10-30V DC (10ms on/off)</p>	NPN/PNP Light-ON	
			NPN/PNP Dark-ON	
			NPN/PNP L.O./D.O.	
		<p>10-30V DC (1ms on/off)</p>	NPN/PNP Light-ON	
			NPN/PNP Dark-ON	
			NPN/PNP L.O./D.O.	

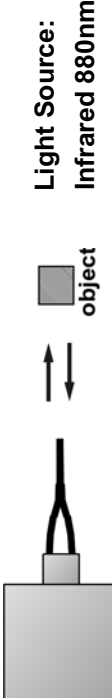




Plastic Fiber Optic with Opposed Mode

U: EP SERIES

Sensing Mode	Connection	Supply Voltage	Output Mode	Part Number
<p>Light Source: red light 650nm</p>  <p>Plastic Fiber Optic Opposed Mode Sensing Distance (Note)</p>	<p>2m Cable</p> 	<p>10-30V DC (10ms on/off)</p>	NPN/PNP Light-ON	
			NPN/PNP Dark-ON	
			NPN/PNP L.O./D.O.	
		<p>10-30V DC (1ms on/off)</p>	NPN/PNP Light-ON	
			NPN/PNP Dark-ON	
			NPN/PNP L.O./D.O.	
	<p>9m Cable</p> 	<p>10-30V DC (10ms on/off)</p>	NPN/PNP Light-ON	
			NPN/PNP Dark-ON	
			NPN/PNP L.O./D.O.	
		<p>10-30V DC (1ms on/off)</p>	NPN/PNP Light-ON	
			NPN/PNP Dark-ON	
			NPN/PNP L.O./D.O.	
<p>Pico Style 4 Pins 6" Pigtail</p> 	<p>10-30V DC (10ms on/off)</p>	NPN/PNP Light-ON		
		NPN/PNP Dark-ON		
		NPN/PNP L.O./D.O.		
	<p>10-30V DC (1ms on/off)</p>	NPN/PNP Light-ON		
		NPN/PNP Dark-ON		
		NPN/PNP L.O./D.O.		
<p>Euro Style 4 Pins 6" Pigtail</p> 	<p>10-30V DC (10ms on/off)</p>	NPN/PNP Light-ON		
		NPN/PNP Dark-ON		
		NPN/PNP L.O./D.O.		
	<p>10-30V DC (1ms on/off)</p>	NPN/PNP Light-ON		
		NPN/PNP Dark-ON		
		NPN/PNP L.O./D.O.		

Glass Fiber Optic with Diffuse Mode

U: EP SERIES

Sensing Mode	Connection	Supply Voltage	Output Mode	Part Number	
<p>Light Source: Infrared 880nm</p>  <p>object</p> <p>↑ ↓</p> <p>Glass Fiber Optic Diffuse Mode Sensing Distance (Note)</p>	<p>2m Cable</p> 	<p>10-30V DC (10ms on/off)</p>	<p>NPN/PNP Light-ON</p>		
			<p>NPN/PNP Dark-ON</p>		
			<p>NPN/PNP L.O./D.O.</p>		
			<p>10-30V DC (1ms on/off)</p>	<p>NPN/PNP Light-ON</p>	
				<p>NPN/PNP Dark-ON</p>	
				<p>NPN/PNP L.O./D.O.</p>	
	<p>9m Cable</p> 	<p>10-30V DC (10ms on/off)</p>	<p>NPN/PNP Light-ON</p>		
			<p>NPN/PNP Dark-ON</p>		
			<p>NPN/PNP L.O./D.O.</p>		
			<p>10-30V DC (1ms on/off)</p>	<p>NPN/PNP Light-ON</p>	
				<p>NPN/PNP Dark-ON</p>	
				<p>NPN/PNP L.O./D.O.</p>	
	<p>Pico Style 4 Pins 6" Pigtail</p> 	<p>10-30V DC (10ms on/off)</p>	<p>NPN/PNP Light-ON</p>		
			<p>NPN/PNP Dark-ON</p>		
			<p>NPN/PNP L.O./D.O.</p>		
		<p>10-30V DC (1ms on/off)</p>	<p>NPN/PNP Light-ON</p>		
			<p>NPN/PNP Dark-ON</p>		
			<p>NPN/PNP L.O./D.O.</p>		
	<p>Euro Style 4 Pins 6" Pigtail</p> 	<p>10-30V DC (10ms on/off)</p>	<p>NPN/PNP Light-ON</p>		
			<p>NPN/PNP Dark-ON</p>		
			<p>NPN/PNP L.O./D.O.</p>		
		<p>10-30V DC (1ms on/off)</p>	<p>NPN/PNP Light-ON</p>		
			<p>NPN/PNP Dark-ON</p>		
			<p>NPN/PNP L.O./D.O.</p>		