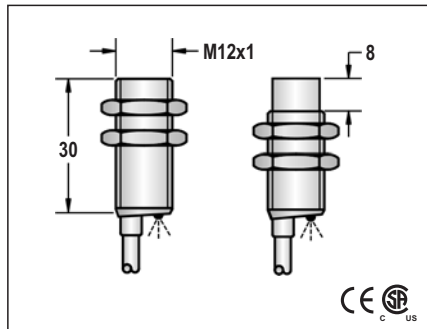


# M12、M18、M30

## DC INDUCTIVE PLASTIC HOUSING SHORT FORM PROXIMITY SWITCH

M 12	
●	○
2 mm	4 mm
PBT RESIN	
●	



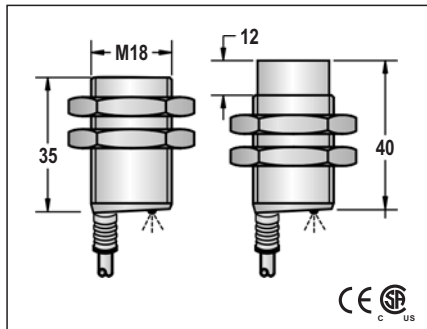
10-30VDC	
<10%	
<10mA	
200mA	
<0.01mA	
-	
<1.5V	
1KHZ	500HZ
0.2ms/0.2ms	0.5ms/0.5ms
<15%(Sr)	
<1.0%(Sr)	
IP67	
-25°C - +70°C	
<10%(Sr)	
YES	
220mA	
<10ms	
RFI>3V/m / EFT>1KV / ESD>4KV (contact)	
IEC 60947-5-2, Part 7.4.1 / IEC 60947-5-2, Part 7.4.2	
POM	PBT

FCP1-1202N-A3S2	1	FCP2-1204N-A3S2
FCP1-1202N-B3S2	2	FCP2-1204N-B3S2
FCP1-1202P-A3S2	3	FCP2-1204P-A3S2
FCP1-1202P-B3S2	4	FCP2-1204P-B3S2

Voltage Drop: <1.5V ( for Operating Volt. 10-30V)  
 <1V ( for Operating Volt. 5-36V)  
 <2V ( for Operating Volt. 10-55V)  
 This applies to all models in the category of DC INDUCTIVE PROXIMITY SWITCH.

4φ 3x0.15
Approx.56 g

M 18	
●	○
5 mm	8 mm
PBT RESIN	
●	



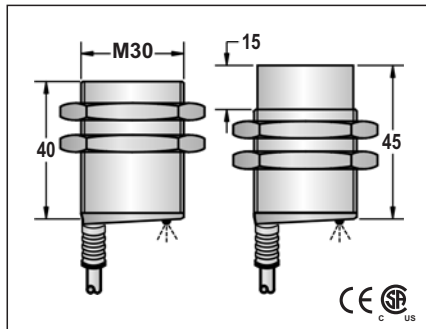
10-30VDC or 5-36VDC or 10-55VDC	
<10%	
<10mA	<20mA
200mA	
<0.01mA	
-	
<1.5V or <1.0V or <2.0V	
1KHZ	500HZ
0.2ms/0.2ms	0.5ms/0.5ms
<15%(Sr)	
<1.0%(Sr)	
IP67	
-25°C - +70°C	
<10%(Sr)	
YES	
220mA	
<10ms	
RFI>3V/m / EFT>1KV / ESD>4KV (contact)	
IEC 60947-5-2, Part 7.4.1 / IEC 60947-5-2, Part 7.4.2	
PBT	

FCP1-1805N-A3S2	1	FCP2-1808N-A3S2
FCP1-1805N-B3S2	2	FCP2-1808N-B3S2
FCP1-1805P-A3S2	3	FCP2-1808P-A3S2
FCP1-1805P-B3S2	4	FCP2-1808P-B3S2
FCP1-1805P-S4S2	6	FCP2-1808P-S4S2
FCP1-1805N-S4S2	5	FCP2-1808N-S4S2
FCP1-1805C-A2S2	7	FCP2-1808C-A2S2
HCP1-1805N-A3S2	1	HCP2-1808N-A3S2
HCP1-1805P-A3S2	3	HCP2-1808P-A3S2
ICP1-1805N-A3S2	1	ICP2-1808N-A3S2
ICP1-1805N-B3S2	2	ICP2-1808N-B3S2
ICP1-1805P-A3S2	3	ICP2-1808P-A3S2
ICP1-1805P-B3S2	4	ICP2-1808P-B3S2

Please see Page 18 for details and specifications of DC 2-Wire models on this page.

5.0φ 44x0.1
Approx.130 g

M 30	
●	○
10 mm	15 mm
PBT RESIN	
●	



10-30VDC or 5-36VDC or 10-55VDC	
<10%	
<10mA	<20mA
200mA	
<0.01mA	
-	
<1.5V or <1.0V or <2.0V	
300HZ	150HZ
0.5ms/0.5ms	1ms/1ms
<15%(Sr)	
<1.0%(Sr)	
IP67	
-25°C - +70°C	
<10%(Sr)	
YES	
220mA	
<10ms	
RFI>3V/m / EFT>1KV / ESD>4KV (contact)	
IEC 60947-5-2, Part 7.4.1 / IEC 60947-5-2, Part 7.4.2	
PBT	

FCP1-3010N-A3S2	1	FCP2-3015N-A3S2
FCP1-3010N-B3S2	2	FCP2-3015N-B3S2
FCP1-3010P-A3S2	3	FCP2-3015P-A3S2
FCP1-3010P-B3S2	4	FCP2-3015P-B3S2
FCP1-3010P-S4S2	6	FCP2-3015P-S4S2
FCP1-3010N-S4S2	5	FCP2-3015N-S4S2
FCP1-3010C-A2S2	7	FCP2-3015C-A2S2
HCP1-3010N-A3S2	1	HCP2-3015N-A3S2
HCP1-3010P-A3S2	3	HCP2-3015P-A3S2
ICP1-3010N-A3S2	1	ICP2-3015N-A3S2
ICP1-3010N-B3S2	2	ICP2-3015N-B3S2
ICP1-3010P-A3S2	3	ICP2-3015P-A3S2
ICP1-3010P-B3S2	4	ICP2-3015P-B3S2

5.8φ 3x0.5
Approx.168 g
Approx.172 g