

PART A-01 ~ A-37

DC ULTRA-MINI TYPE INDUCTIVE PROXIMITY SWITCH

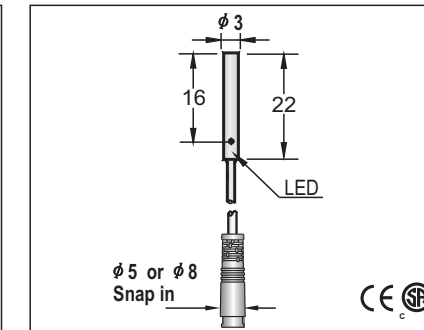
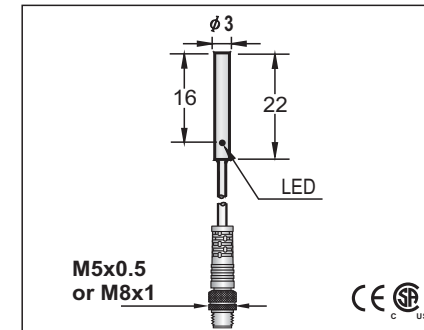
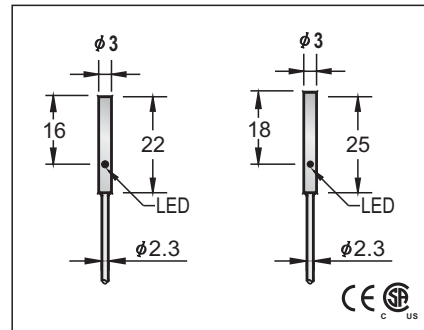
Diameter
● Shielded ○ non-Shielded
Switching Distance Sn mm
Housing Material
● With LED ○ Without LED

φ 3	φ 3
●	●
0.8 mm	
stainless steel	
●	

φ 3
●
0.8 mm
stainless steel
●

φ 3
●
0.8 mm
stainless steel
●

Dimensions (unit: mm)



Operating Voltage	10-30VDC or 5-36VDC
Ripple	<10%
No Load Current	<10mA
Max. Load Current	200mA
Leakge Current	<0.01mA
Surge Current	-
Min. Load Current	-
Voltage Drop	<1.5V
Switching Frequency	2KHZ
Response Time	0.1ms/0.1ms
Switching Hysteresis	<15%(Sr)
Repeat Accuracy	<1.0%(Sr)
Protection Category	IP67
Operating Temperature	-25°C - +70°C
Temperature Drift	<10%(Sr)
Short Circuit Protection	YES
Overload Trip Point	220mA
Time Delay Before Availability	<10ms
EMC	RFI>3V/m / EFT>1KV / ESD>4KV (contact)
Shock / Vibration	IEC 60947-5-2,Part 7.4.1 / IEC 60947-5-2,Part 7.4.2
Material Active Face	POM
DC 3 wire 10-30V NPN N.O.	FCU1-D030.8N-A3S2 1 FCU1-D030.8N-A3U2
DC 3 wire 10-30V NPN N.C.	FCU1-D030.8N-B3S2 2 FCU1-D030.8N-B3U2
DC 3 wire 10-30V PNP N.O.	FCU1-D030.8P-A3S2 3 FCU1-D030.8P-A3U2
DC 3 wire 10-30V PNP N.C.	FCU1-D030.8P-B3S2 4 FCU1-D030.8P-B3U2
DC 4 wire 10-30V Changeover PNP (N.O. & N.C.)	
DC 4 wire 10-30V Changeover NPN (N.O. & N.C.)	
DC 2 wire 10-60V N.O.	
DC 2 wire 10-60V N.C.	
DC 3 wire 10-55V NPN N.O. or NAMUR	
DC 3 wire 10-55V NPN N.C.	
DC 3 wire 10-55V PNP N.O.	
DC 3 wire 10-55V PNP N.C.	
DC 3 wire 5-36V NPN N.O.	ICU1-D030.8N-A3S2 1 ICU1-D030.8N-A3U2
DC 3 wire 5-36V NPN N.C.	ICU1-D030.8N-B3S2 2 ICU1-D030.8N-B3U2
DC 3 wire 5-36V PNP N.O.	ICU1-D030.8P-A3S2 3 ICU1-D030.8P-A3U2
DC 3 wire 5-36V PNP N.C.	ICU1-D030.8P-B3S2 4 ICU1-D030.8P-B3U2
DC 4 wire 5-36V Changeover PNP (N.O & N.C.)	
DC 4 wire 5-36V Changeover NPN (N.O & N.C.)	

10-30VDC or 5-36VDC	<10%	<10mA	200mA	<0.01mA	-	-	<1.5V	2KHZ	0.1ms/0.1ms	<15%(Sr)	<1.0%(Sr)	IP67	-25°C - +70°C	<10%(Sr)	YES	220mA	<10ms	RFI>3V/m / EFT>1KV / ESD>4KV (contact)	IEC 60947-5-2,Part 7.4.1 / IEC 60947-5-2,Part 7.4.2	POM	FCU1-D030.8N-A3S2/P5 25 FCU1-D030.8N-A3S0.2/P8 29	FCU1-D030.8N-B3S2/P5 26 FCU1-D030.8N-B3S0.2/P8 30	FCU1-D030.8P-A3S2/P5 27 FCU1-D030.8P-A3S0.2/P8 31	FCU1-D030.8P-B3S2/P5 28 FCU1-D030.8P-B3S0.2/P8 32
---------------------	------	-------	-------	---------	---	---	-------	------	-------------	----------	-----------	------	---------------	----------	-----	-------	-------	--	---	-----	---	---	---	---

10-30VDC or 5-36VDC	<10%	<10mA	200mA	<0.01mA	-	-	<1.5V	2KHZ	0.1ms/0.1ms	<15%(Sr)	<1.0%(Sr)	IP67	-25°C - +70°C	<10%(Sr)	YES	220mA	<10ms	RFI>3V/m / EFT>1KV / ESD>4KV (contact)	IEC 60947-5-2,Part 7.4.1 / IEC 60947-5-2,Part 7.4.2	POM	FCU1-D030.8N-A3S0.2/P5 25 FCU1-D030.8N-A3S0.2/P8 29	FCU1-D030.8N-B3S0.2/P5 26 FCU1-D030.8N-B3S0.2/P8 30	FCU1-D030.8P-A3S0.2/P5 27 FCU1-D030.8P-A3S0.2/P8 31	FCU1-D030.8P-B3S0.2/P5 28 FCU1-D030.8P-B3S0.2/P8 32	
10-30VDC or 5-36VDC	<10%	<10mA	200mA	<0.01mA	-	-	<1.5V	2KHZ	0.1ms/0.1ms	<15%(Sr)	<1.0%(Sr)	IP67	-25°C - +70°C	<10%(Sr)	YES	220mA	<10ms	RFI>3V/m / EFT>1KV / ESD>4KV (contact)	IEC 60947-5-2,Part 7.4.1 / IEC 60947-5-2,Part 7.4.2	POM	FCU1-D030.8N-A3S0.2/SN5 25 FCU1-D030.8N-A3S0.2/SN8 29	FCU1-D030.8N-B3S0.2/SN5 26 FCU1-D030.8N-B3S0.2/SN8 30	FCU1-D030.8P-A3S0.2/SN5 27 FCU1-D030.8P-A3S0.2/SN8 31	FCU1-D030.8P-B3S0.2/SN5 28 FCU1-D030.8P-B3S0.2/SN8 32	
ICU1-D030.8N-A3S2/P5 25 ICU1-D030.8N-A3S0.2/P8 29	ICU1-D030.8N-B3S0.2/P5 26 ICU1-D030.8N-B3S0.2/P8 30	ICU1-D030.8P-A3S0.2/P5 27 ICU1-D030.8P-A3S0.2/P8 31	ICU1-D030.8P-B3S0.2/P5 28 ICU1-D030.8P-B3S0.2/P8 32																						

10-30VDC or 5-36VDC	<10%	<10mA	200mA	<0.01mA	-	-	<1.5V	2KHZ	0.1ms/0.1ms	<15%(Sr)	<1.0%(Sr)	IP67	-25°C - +70°C	<10%(Sr)	YES	220mA	<10ms	RFI>3V/m / EFT>1KV / ESD>4KV (contact)	IEC 60947-5-2,Part 7.4.1 / IEC 60947-5-2,Part 7.4.2	POM	FCU1-D030.8N-A3S0.2/SN5 25 FCU1-D030.8N-A3S0.2/SN8 29	FCU1-D030.8N-B3S0.2/SN5 26 FCU1-D030.8N-B3S0.2/SN8 30	FCU1-D030.8P-A3S0.2/SN5 27 FCU1-D030.8P-A3S0.2/SN8 31	FCU1-D030.8P-B3S0.2/SN5 28 FCU1-D030.8P-B3S0.2/SN8 32
---------------------	------	-------	-------	---------	---	---	-------	------	-------------	----------	-----------	------	---------------	----------	-----	-------	-------	--	---	-----	---	---	---	---

Remark

↑
 Wiring diagram number see page 05-13
 The following page is the same.

FCU***/P5 M5 Pigtail mode
 FCU***/P8 M8 Pigtail mode

1、NAMUR type specifications see page 23
 2、 FCU***/SN5 φ 5 Pigtail mode
 FCU***/SN8 φ 8 Pigtail mode

Cable 2M (PVC)	2.3φ 3x0.15
Weight	approx.25 g

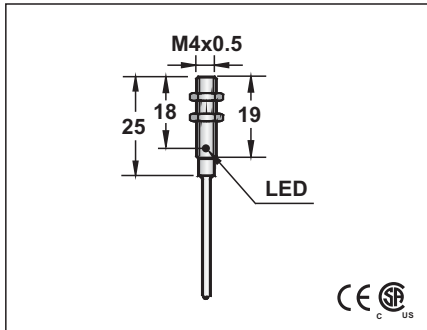
	2.3φ 3x0.15
	approx.25 g

	2.3φ 3x0.15
approx.25 g	Approx.26 g

	2.3φ 3x0.15
approx.25 g	Approx.26 g

DC ULTRA-MINI TYPE INDUCTIVE PROXIMITY SWITCH

M4	
0.8 mm	1.0 mm
stainless steel	

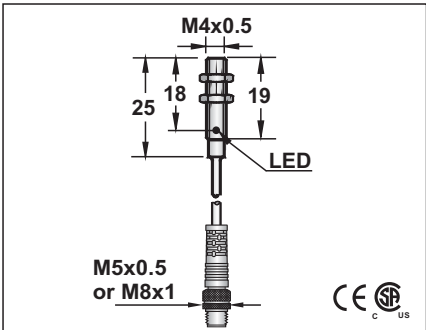


10-30VDC or 5-36VDC	
<10%	
<10mA	
200mA	
<0.01mA	
-	
-	
<1.5V	
2KHZ	
0.1ms/0.1ms	
<15%(Sr)	
<1.0%(Sr)	
IP67	
-25°C - +70°C	
<10%(Sr)	
YES	
220mA	
<10ms	
RFI>3V/m / EFT>1KV / ESD>4KV (contact)	
IEC 60947-5-2, Part 7.4.1 / IEC 60947-5-2, Part 7.4.2	
POM	

FCU1-040.8N-A3U2	1	LCU1-0401N-A3U2
FCU1-040.8N-B3U2	2	LCU1-0401N-B3U2
FCU1-040.8P-A3U2	3	LCU1-0401P-A3U2
FCU1-040.8P-B3U2	4	LCU1-0401P-B3U2
ICU1-040.8N-A3U2	1	ICU1-0401N-A3U2
ICU1-040.8N-B3U2	2	ICU1-0401N-B3U2
ICU1-040.8P-A3U2	3	ICU1-0401P-A3U2
ICU1-040.8P-B3U2	4	ICU1-0401P-B3U2

NAMUR type specifications see page 23	
2.3 ϕ 3x0.15	
Approx. 22 g	

M4	
0.8 mm	
stainless steel	

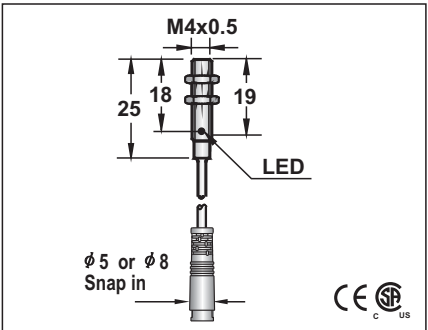


10-30VDC or 5-36VDC			
<10%			
<10mA			
200mA			
<0.01mA			
-			
-			
<1.5V			
2KHZ			
0.1ms/0.1ms			
<15%(Sr)			
<1.0%(Sr)			
IP67			
-25°C - +70°C			
<10%(Sr)			
YES			
220mA			
<10ms			
RFI>3V/m / EFT>1KV / ESD>4KV (contact)			
IEC 60947-5-2, Part 7.4.1 / IEC 60947-5-2, Part 7.4.2			
POM			

FCU1-040.8N-A3U0.2/P5	25	FCU1-040.8N-A3U0.2/P8	29
FCU1-040.8N-B3U0.2/P5	26	FCU1-040.8N-B3U0.2/P8	30
FCU1-040.8P-A3U0.2/P5	27	FCU1-040.8P-A3U0.2/P8	31
FCU1-040.8P-B3U0.2/P5	28	FCU1-040.8P-B3U0.2/P8	32
ICU1-040.8N-A3U0.2/P5	25	ICU1-040.8N-A3U0.2/P8	29
ICU1-040.8N-B3U0.2/P5	26	ICU1-040.8N-B3U0.2/P8	30
ICU1-040.8P-A3U0.2/P5	27	ICU1-040.8P-A3U0.2/P8	31
ICU1-040.8P-B3U0.2/P5	28	ICU1-040.8P-B3U0.2/P8	32

FCU***/P5		└─ M5 Pigtail mode	
FCU***/P8		└─ M8 Pigtail mode	
2.3 ϕ 3x0.15			
Approx. 30 g		Approx. 31 g	

M4	
0.8 mm	
stainless steel	

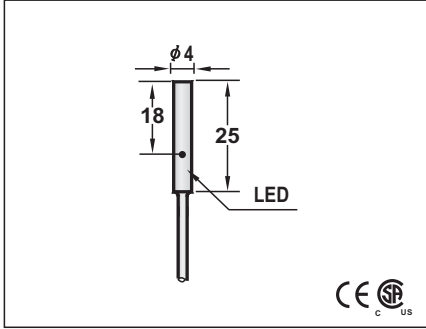
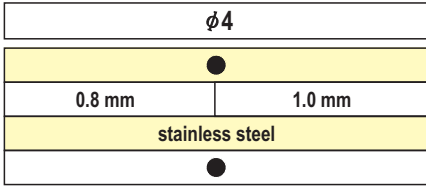


10-30VDC or 5-36VDC			
<10%			
<10mA			
200mA			
<0.01mA			
-			
-			
<1.5V			
2KHZ			
0.1ms/0.1ms			
<15%(Sr)			
<1.0%(Sr)			
IP67			
-25°C - +70°C			
<10%(Sr)			
YES			
220mA			
<10ms			
RFI>3V/m / EFT>1KV / ESD>4KV (contact)			
IEC 60947-5-2, Part 7.4.1 / IEC 60947-5-2, Part 7.4.2			
POM			

FCU1-040.8N-A3U0.2/SN5	25	FCU1-040.8N-A3U0.2/SN8	29
FCU1-040.8N-B3U0.2/SN5	26	FCU1-040.8N-B3U0.2/SN8	30
FCU1-040.8P-A3U0.2/SN5	27	FCU1-040.8P-A3U0.2/SN8	31
FCU1-040.8P-B3U0.2/SN5	28	FCU1-040.8P-B3U0.2/SN8	32
ICU1-040.8N-A3U0.2/SN5	25	ICU1-040.8N-A3U0.2/SN8	29
ICU1-040.8N-B3U0.2/SN5	26	ICU1-040.8N-B3U0.2/SN8	30
ICU1-040.8P-A3U0.2/SN5	27	ICU1-040.8P-A3U0.2/SN8	31
ICU1-040.8P-B3U0.2/SN5	28	ICU1-040.8P-B3U0.2/SN8	32

FCU***/SN5		└─ ϕ 5 Pigtail mode	
FCU***/SN8		└─ ϕ 8 Pigtail mode	
2.3 ϕ 3x0.15			
Approx. 30 g		Approx. 31 g	

DC ULTRA-MINI TYPE INDUCTIVE PROXIMITY SWITCH

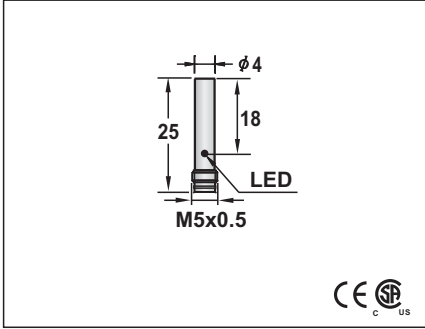
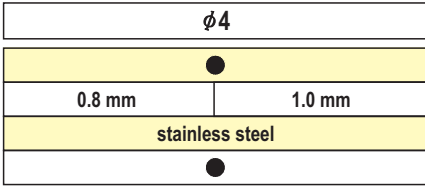


10-30VDC or 5-36VDC
<10%
<10mA
200mA
<0.01mA
-
-
<1.5V
2KHZ
0.1ms/0.1ms
<15%(Sr)
<1.0%(Sr)
IP67
-25°C - +70°C
<10%(Sr)
YES
220mA
<10ms
RFI>3V/m / EFT>1KV / ESD>4KV (contact)
IEC 60947-5-2,Part 7.4.1 / IEC 60947-5-2,Part 7.4.2
POM

FCU1-D040.8N-A3U2	1	FCU1-D0401N-A3U2
FCU1-D040.8N-B3U2	2	FCU1-D0401N-B3U2
FCU1-D040.8P-A3U2	3	FCU1-D0401P-A3U2
FCU1-D040.8P-B3U2	4	FCU1-D0401P-B3U2
ICU1-D040.8N-A3U2	1	ICU1-D0401N-A3U2
ICU1-D040.8N-B3U2	2	ICU1-D0401N-B3U2
ICU1-D040.8P-A3U2	3	ICU1-D0401P-A3U2
ICU1-D040.8P-B3U2	4	ICU1-D0401P-B3U2

NAMUR type specifications see page 22

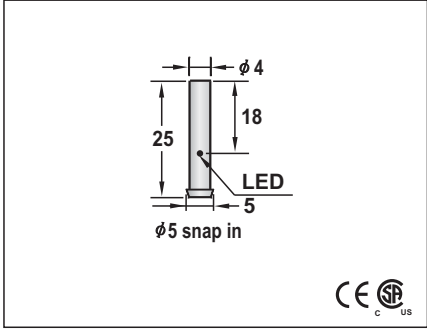
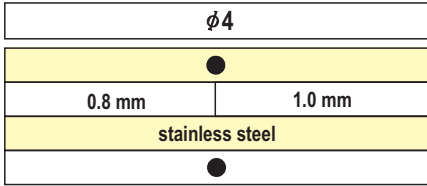
Approx.22 g



10-30VDC or 5-36VDC
<10%
<10mA
200mA
<0.01mA
-
-
<1.5V
2KHZ
0.1ms/0.1ms
<15%(Sr)
<1.0%(Sr)
IP67
-25°C - +70°C
<10%(Sr)
YES
220mA
<10ms
RFI>3V/m / EFT>1KV / ESD>4KV (contact)
IEC 60947-5-2,Part 7.4.1 / IEC 60947-5-2,Part 7.4.2
POM

NAMUR type specifications see page 22

Approx.18 g



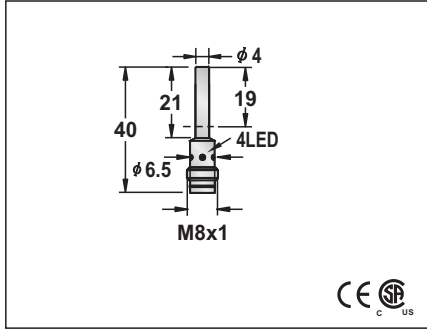
10-30VDC or 5-36VDC
<10%
<10mA
200mA
<0.01mA
-
-
<1.5V
2KHZ
0.1ms/0.1ms
<15%(Sr)
<1.0%(Sr)
IP67
-25°C - +70°C
<10%(Sr)
YES
220mA
<10ms
RFI>3V/m / EFT>1KV / ESD>4KV (contact)
IEC 60947-5-2,Part 7.4.1 / IEC 60947-5-2,Part 7.4.2
POM

$\phi 5$ Miniature snap in connector

2.7 ϕ 3x0.15
Approx.18 g

DC ULTRA-MINI TYPE INDUCTIVE PROXIMITY SWITCH

φ4	
●	
0.8 mm	1.0 mm
stainless steel	
●	



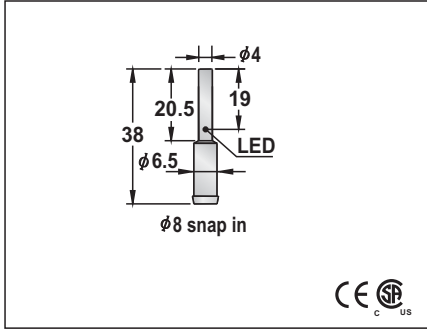
CE	SF
US	
10-30VDC	
<10%	
<10mA	
200mA	
<0.01mA	
-	
-	
<1.5V	
2KHZ	
0.1ms/0.1ms	
<15%(Sr)	
<1.0%(Sr)	
IP67	
-25°C - +70°C	
<10%(Sr)	
YES	
220mA	
<10ms	
RFI>3V/m / EFT>1KV / ESD>4KV (contact)	
IEC 60947-5-2,Part 7.4.1 / IEC 60947-5-2,Part 7.4.2	
POM	

FCU1-D040.8N-ACU3	29	FCU1-D0401N-ACU3
FCU1-D040.8N-BCU3	29	FCU1-D0401N-BCU3
FCU1-D040.8P-ACU3	30	FCU1-D0401P-ACU3
FCU1-D040.8P-BCU3	30	FCU1-D0401P-BCU3

Connecting cable:
M8 female pico-style,screw locking,with moulded cable.

approx.14 g

φ4	
●	
0.8 mm	
stainless steel	
●	



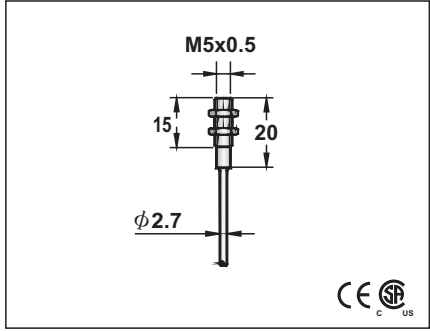
CE	SF
US	
10-30VDC	
<10%	
<10mA	
200mA	
<0.01mA	
-	
-	
<1.5V	
2KHZ	
0.1ms/0.1ms	
<15%(Sr)	
<1.0%(Sr)	
IP67	
-25°C - +70°C	
<10%(Sr)	
YES	
220mA	
<10ms	
RFI>3V/m / EFT>1KV / ESD>4KV (contact)	
IEC 60947-5-2,Part 7.4.1 / IEC 60947-5-2,Part 7.4.2	
POM	

FCU1-D040.8N-ACU3/SN	29	
FCU1-D040.8N-BCU3/SN	29	
FCU1-D040.8P-ACU3/SN	30	
FCU1-D040.8P-BCU3/SN	30	

Connecting cable:
female pico-style,snap-in device,with moulded cable.

approx.14 g

M5	
●	
0.8 mm	1.0 mm
stainless steel	
●	



CE	SF
US	
6-12VDC	
<10%	
>2.2mA(OFF)	
-	
-	
-	
-	
0.5KHZ	
0.2ms/0.2ms	
<15%(Sr)	
-	
IP67	
-25°C - +70°C	
<1%(Sr)	
-	
-	
<10ms	
RFI>3V/m / EFT>1KV / ESD>4KV (contact)	
IEC 60947-5-2,Part 7.4.1 / IEC 60947-5-2,Part 7.4.2	
POM	

FCU1-050.8NU	21	FCU1-0501NU

Note:
All cable type have pigtail connect mode,
*CU***/p pigtail mode

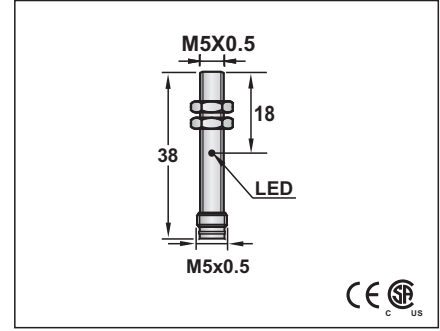
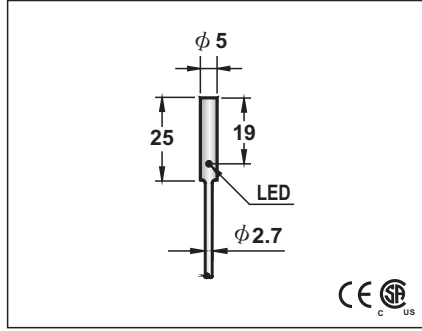
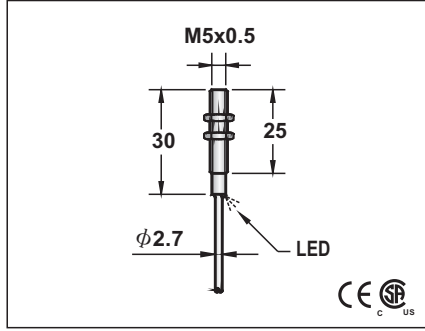
2.7φ 3x0.15
approx.25 g

DC ULTRA-MINI TYPE INDUCTIVE PROXIMITY SWITCH

M5
●
0.8 mm 1.0 mm
stainless steel
●

$\phi 5$
●
1.0 mm 1.5 mm
stainless steel
●

M5
●
0.8 mm
stainless steel
●



10-30VDC or 5-36VDC	
<10%	
<10mA	
100mA	
<0.01mA	
-	
-	
<1.5V(10~30V)	
2KHZ	
0.1ms/0.1ms	
<15%(Sr)	
<1.0%(Sr)	
IP67	
-25°C - +70°C	
<10%(Sr)	
NO	
-	
<10ms	
RFI>3V/m / EFT>1KV / ESD>4KV (contact)	
IEC 60947-5-2,Part 7.4.1 / IEC 60947-5-2,Part 7.4.2	
POM	

10-30VDC or 5-36VDC	
<10%	
<10mA	
200mA	
<0.01mA	
-	
-	
<1.5V(10~30V)	
2KHZ	
0.1ms/0.1ms	
<15%(Sr)	
<1.0%(Sr)	
IP67	
-25°C - +70°C	
<10%(Sr)	
YES	
220mA	
<10ms	
RFI>3V/m / EFT>1KV / ESD>4KV (contact)	
IEC 60947-5-2,Part 7.4.1 / IEC 60947-5-2,Part 7.4.2	
POM	

10-30VDC or 5-36VDC	
<10%	
<10mA	
200mA	
<0.01mA	
-	
-	
<1.5V	
2KHZ	
0.1ms/0.1ms	
<15%(Sr)	
<1.0%(Sr)	
IP67	
-25°C - +70°C	
<10%(Sr)	
YES	
220mA	
<10ms	
RFI>3V/m / EFT>1KV / ESD>4KV (contact)	
IEC 60947-5-2,Part 7.4.1 / IEC 60947-5-2,Part 7.4.2	
POM	

FCU1-050.8N-A3L2	1	FCU1-0501N-A3L2
FCU1-050.8N-B3L2	2	FCU1-0501N-B3L2
FCU1-050.8P-A3L2	3	FCU1-0501P-A3L2
FCU1-050.8P-B3L2	4	FCU1-0501P-B3L2
ICU1-050.8N-A3L2	1	ICU1-0501N-A3L2
ICU1-050.8N-B3L2	2	ICU1-0501N-B3L2
ICU1-050.8P-A3L2	3	ICU1-0501P-A3L2
ICU1-050.8P-B3L2	4	ICU1-0501P-B3L2

FCU1-D0501N-A3U2	1	FCU1-D051.5N-A3U2
FCU1-D0501N-B3U2	2	FCU1-D051.5N-B3U2
FCU1-D0501P-A3U2	3	FCU1-D051.5P-A3U2
FCU1-D0501P-B3U2	4	FCU1-D051.5P-B3U2
ICU1-D0501N-A3U2	1	ICU1-D051.5N-A3U2
ICU1-D0501N-B3U2	2	ICU1-D051.5N-B3U2
ICU1-D0501P-A3U2	3	ICU1-D051.5P-A3U2
ICU1-D0501P-B3U2	4	ICU1-D051.5P-B3U2

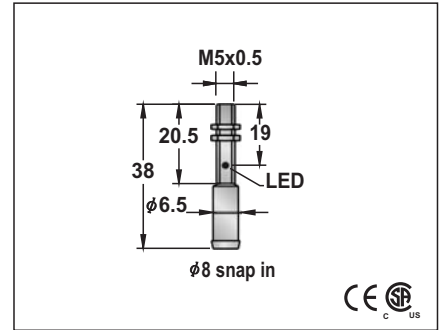
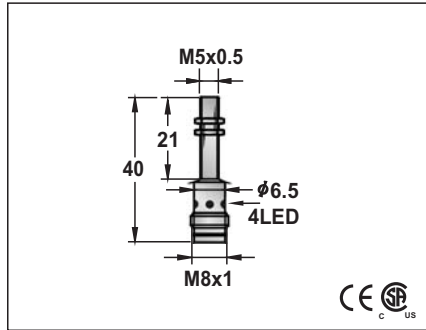
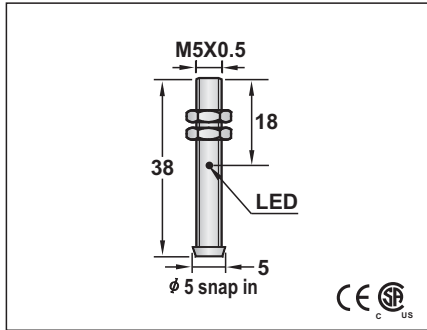
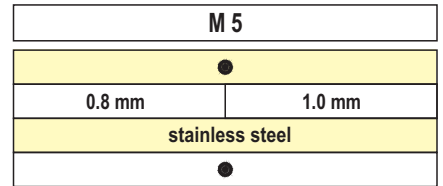
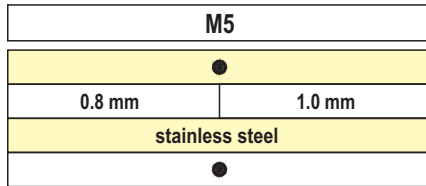
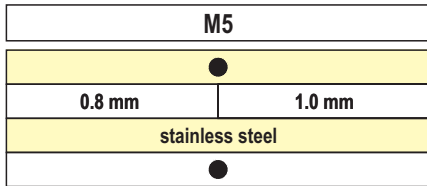
2.7 ϕ 3x0.15
approx.25 g

2.7 ϕ 3x0.15
approx.25 g

Approx.13 g

DC ULTRA-MINI TYPE INDUCTIVE PROXIMITY SWITCH

DC ULTRA-MINI SERIES PROXIMITY SWITCHES



10-30VDC or 5-36VDC
<10%
<10mA
200mA
<0.01mA
-
-
<1.5V
2KHZ
0.1ms/0.1ms
<15%(Sr)
<1.0%(Sr)
IP67
-25°C - +70°C
<10%(Sr)
YES
220mA
<10ms
RFI>3V/m / EFT>1KV / ESD>4KV (contact)
IEC 60947-5-2,Part 7.4.1 / IEC 60947-5-2,Part 7.4.2
POM

10-30VDC or 5-36VDC
<10%
<10mA
200mA
<0.01mA
-
-
<1.5V
2KHZ
0.1ms/0.1ms
<15%(Sr)
<1.0%(Sr)
IP67
-25°C - +70°C
<10%(Sr)
YES
220mA
<10ms
RFI>3V/m / EFT>1KV / ESD>4KV (contact)
IEC 60947-5-2,Part 7.4.1 / IEC 60947-5-2,Part 7.4.2
POM

10-30VDC or 5-36VDC
<10%
<10mA
200mA
<0.01mA
-
-
<1.5V
2KHZ
0.1ms/0.1ms
<15%(Sr)
<1.0%(Sr)
IP67
-25°C - +70°C
<10%(Sr)
YES
220mA
<10ms
RFI>3V/m / EFT>1KV / ESD>4KV (contact)
IEC 60947-5-2,Part 7.4.1 / IEC 60947-5-2,Part 7.4.2
POM

FCU1-050.8N-AMU4/SN	25
FCU1-050.8N-BMU4/SN	26
FCU1-050.8P-AMU4/SN	27
FCU1-050.8P-BMU4/SN	28

FCU1-050.8N-ACU3	29	FCU1-0501N-ACU3
FCU1-050.8N-BCU3	29	FCU1-0501N-BCU3
FCU1-050.8P-ACU3	30	FCU1-0501P-ACU3
FCU1-050.8P-BCU3	30	FCU1-0501P-BCU3

FCU1-050.8N-ACU3/SN	29	FCU1-0501N-ACU3/SN
FCU1-050.8N-BCU3/SN	29	FCU1-0501N-BCU3/SN
FCU1-050.8P-ACU3/SN	30	FCU1-0501P-ACU3/SN
FCU1-050.8P-BCU3/SN	30	FCU1-0501P-BCU3/SN

ø 5 Miniature snap in connector

Connecting cable:
M8 female pico-style,screw locking,with moulded cable.

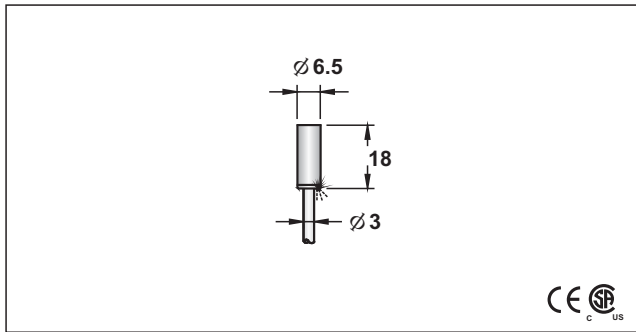
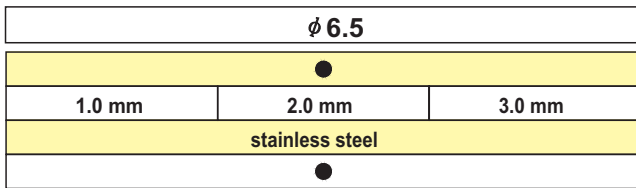
Connecting cable:
female pico-style,snap-in device,with moulded cable.

Approx.13 g

Approx.14 g

Approx.14 g

DC ULTRA-MINI TYPE INDUCTIVE PROXIMITY SWITCH

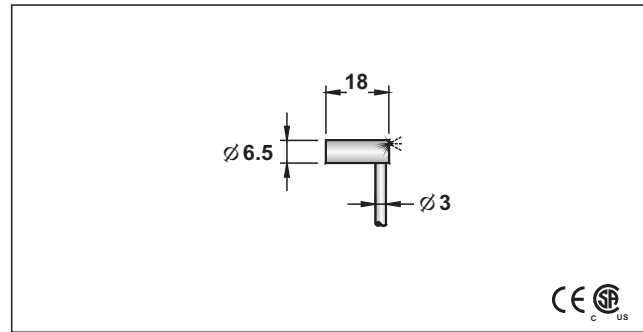
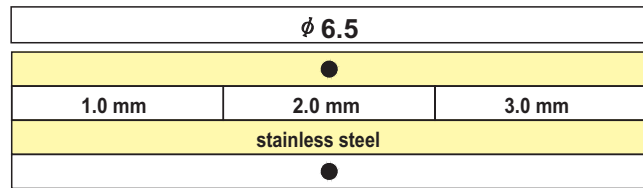


10-30VDC
<10%
<10mA
200mA
<0.01mA
-
-
<1.5V
2KHZ
0.1ms/0.1ms
<15%(Sr)
<1.0%(Sr)
IP67
-25°C - +70°C
<10%(Sr)
YES
220mA
<10ms
RFI>3V/m / EFT>1KV / ESD>4KV (contact)
IEC 60947-5-2,Part 7.4.1 / IEC 60947-5-2,Part 7.4.2
POM

FCU1-D0601N-A3R2	1	ECU1-D0602N-A3R2	1	LCU1-D0603N-A3R2
FCU1-D0601N-B3R2	2	ECU1-D0602N-B3R2	2	LCU1-D0603N-B3R2
FCU1-D0601P-A3R2	3	ECU1-D0602P-A3R2	3	LCU1-D0603P-A3R2
FCU1-D0601P-B3R2	4	ECU1-D0602P-B3R2	4	LCU1-D0603P-B3R2

Note:
All cable type have pigtail connect mode,
*CU**/ p → pigtail mode

3 Ø3x0.15
approx.25 g



10-30VDC
<10%
<10mA
200mA
<0.01mA
-
-
<1.5V
2KHZ
0.1ms/0.1ms
<15%(Sr)
<1.0%(Sr)
IP67
-25°C - +70°C
<10%(Sr)
YES
220mA
<10ms
RFI>3V/m / EFT>1KV / ESD>4KV (contact)
IEC 60947-5-2,Part 7.4.1 / IEC 60947-5-2,Part 7.4.2
POM

FCU1-D0601N-A3X2	1			
FCU1-D0601N-B3X2	2			
FCU1-D0601P-A3X2	3			
FCU1-D0601P-B3X2	4			

Note:
All cable type have pigtail connect mode,
*CU**/ p → pigtail mode

3 Ø3x0.15
approx.25 g

DC ULTRA-MINI TYPE INDUCTIVE PROXIMITY SWITCH

φ 6.5		
1.0 mm	2.0 mm	3.0 mm
stainless steel		

10-30VDC
<10%
<10mA
200mA
<0.01mA
-
-
<1.5V
2KHZ
0.1ms/0.1ms
<15%(Sr)
<1.0%(Sr)
IP67
-25°C - +70°C
<10%(Sr)
YES
220mA
<10ms
RFI>3V/m / EFT>1KV / ESD>4KV (contact)
IEC 60947-5-2,Part 7.4.1 / IEC 60947-5-2,Part 7.4.2
POM

FCU1-D0601N-ACR3	29	ECU1-D0602N-ACR3	29	LCU1-D0603N-ACR3
FCU1-D0601N-BCR3	29	ECU1-D0602N-BCR3	29	LCU1-D0603N-BCR3
FCU1-D0601P-ACR3	30	ECU1-D0602P-ACR3	30	LCU1-D0603P-ACR3
FCU1-D0601P-BCR3	30	ECU1-D0602P-BCR3	30	LCU1-D0603P-BCR3

Connecting cable:
M8 female pico-style,screw locking,with moulded cable.

Approx.15 g

M 8		
1.0 mm	2.0 mm	3.0 mm
stainless steel		

10-30VDC
<10%
<10mA
200mA
<0.01mA
-
-
<1.5V
2KHZ
0.1ms/0.1ms
<15%(Sr)
<1.0%(Sr)
IP67
-25°C - +70°C
<10%(Sr)
YES
220mA
<10ms
RFI>3V/m / EFT>1KV / ESD>4KV (contact)
IEC 60947-5-2,Part 7.4.1 / IEC 60947-5-2,Part 7.4.2
POM

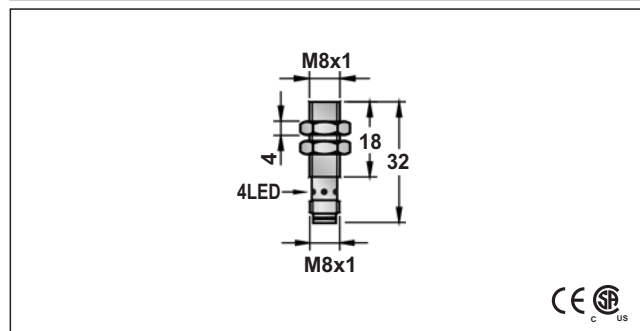
FCU1-0801N-A3R2	1	ECU1-0802N-A3R2	1	LCU1-0803N-A3R2
FCU1-0801N-B3R2	2	ECU1-0802N-B3R2	2	LCU1-0803N-B3R2
FCU1-0801P-A3R2	3	ECU1-0802P-A3R2	3	LCU1-0803P-A3R2
FCU1-0801P-B3R2	4	ECU1-0802P-B3R2	4	LCU1-0803P-B3R2

Note:
All cable type have pigtail connect mode,
*CU**/p pigtail mode

3 φ 3x0.15
approx.25 g

DC ULTRA-MINI TYPE INDUCTIVE PROXIMITY SWITCH

M 8		
●		
1.0 mm	2.0 mm	3.0 mm
stainless steel		
●		



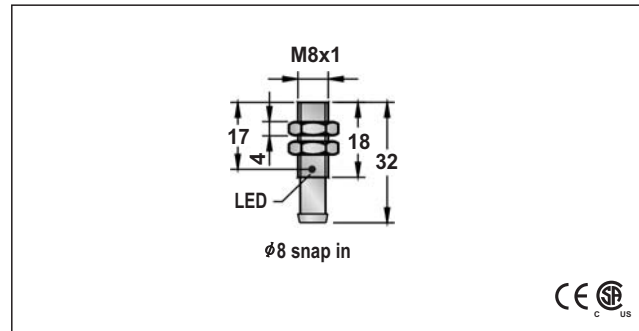
10-30VDC
<10%
<10mA
200mA
<0.01mA
-
-
<1.5V
2KHZ
0.1ms/0.1ms
<15%(Sr)
<1.0%(Sr)
IP67
-25°C - +70°C
<10%(Sr)
YES
220mA
<10ms
RFI>3V/m / EFT>1KV / ESD>4KV (contact)
IEC 60947-5-2,Part 7.4.1 / IEC 60947-5-2,Part 7.4.2
POM

FCU1-0801N-ACR3	1	ECU1-0802N-ACR3	1	LCU1-0803N-ACR3
FCU1-0801N-BCR3	2	ECU1-0802N-BCR3	2	LCU1-0803N-BCR3
FCU1-0801P-ACR3	3	ECU1-0802P-ACR3	3	LCU1-0803P-ACR3
FCU1-0801P-BCR3	4	ECU1-0802P-BCR3	4	LCU1-0803P-BCR3

Connecting cable:
M8 female pico-style, screw locking, with moulded cable.

Approx.17 g

M 8		
●		
1.0 mm	2.0 mm	3.0 mm
stainless steel		
●		



10-30VDC
<10%
<10mA
200mA
<0.01mA
-
-
<1.5V
2KHZ
0.1ms/0.1ms
<15%(Sr)
<1.0%(Sr)
IP67
-25°C - +70°C
<10%(Sr)
YES
220mA
<10ms
RFI>3V/m / EFT>1KV / ESD>4KV (contact)
IEC 60947-5-2,Part 7.4.1 / IEC 60947-5-2,Part 7.4.2
POM

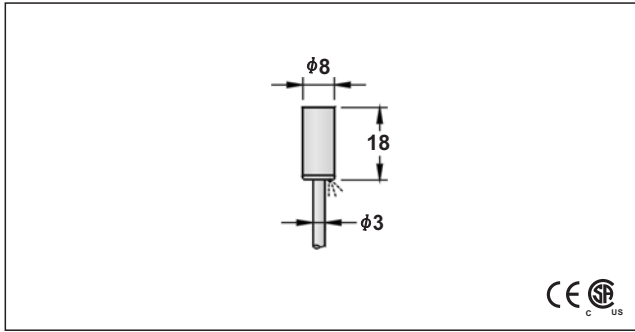
FCU1-0801N-ACR3/SN	25	ECU1-0802N-ACR3/SN	25	LCU1-0803N-ACR3/SN
FCU1-0801N-BCR3/SN	25	ECU1-0802N-BCR3/SN	25	LCU1-0803N-BCR3/SN
FCU1-0801P-ACR3/SN	26	ECU1-0802P-ACR3/SN	26	LCU1-0803P-ACR3/SN
FCU1-0801P-BCR3/SN	26	ECU1-0802P-BCR3/SN	26	LCU1-0803P-BCR3/SN

Connecting cable:
female pico-style, snap-in device, with moulded cable.

Approx.17 g

DC ULTRA-MINI TYPE INDUCTIVE PROXIMITY SWITCH

φ8		
●		
1.0 mm	2.0 mm	3.0 mm
stainless steel		
●		



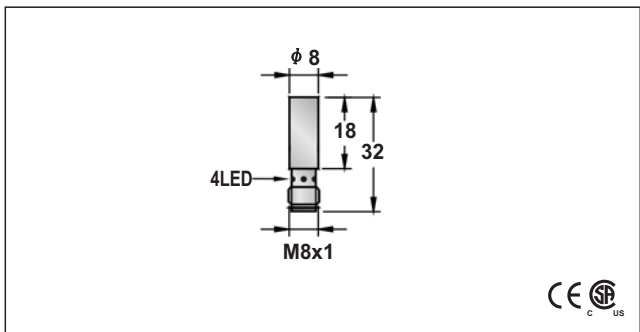
10-30VDC
<10%
<10mA
200mA
<0.01mA
-
-
<1.5V
2KHZ
0.1ms/0.1ms
<15%(Sr)
<1.0%(Sr)
IP67
-25°C - +70°C
<10%(Sr)
YES
220mA
<10ms
RFI>3V/m / EFT>1KV / ESD>4KV (contact)
IEC 60947-5-2,Part 7.4.1 / IEC 60947-5-2,Part 7.4.2
POM

FCU1-D0801N-A3R2	1	ECU1-D0802N-A3R2	1	LCU1-D0803N-A3R2
FCU1-D0801N-B3R2	2	ECU1-D0802N-B3R2	2	LCU1-D0803N-B3R2
FCU1-D0801P-A3R2	3	ECU1-D0802P-A3R2	3	LCU1-D0803P-A3R2
FCU1-D0801P-B3R2	4	ECU1-D0802P-B3R2	4	LCU1-D0803P-B3R2

Note:
 All cable type have pigtail connect mode,
 *CU***/p pigtail mode

3 φ 3x0.15
approx.25 g

φ8		
●		
1.0 mm	2.0 mm	3.0 mm
stainless steel		
●		



10-30VDC
<10%
<10mA
200mA
<0.01mA
-
-
<1.5V
2KHZ
0.1ms/0.1ms
<15%(Sr)
<1.0%(Sr)
IP67
-25°C - +70°C
<10%(Sr)
YES
220mA
<10ms
RFI>3V/m / EFT>1KV / ESD>4KV (contact)
IEC 60947-5-2,Part 7.4.1 / IEC 60947-5-2,Part 7.4.2
POM

FCU1-D0801N-ACR3	29	ECU1-D0802N-ACR3	29	LCU1-D0803N-ACR3
FCU1-D0801N-BCR3	29	ECU1-D0802N-BCR3	29	LCU1-D0803N-BCR3
FCU1-D0801P-ACR3	30	ECU1-D0802P-ACR3	30	LCU1-D0803P-ACR3
FCU1-D0801P-BCR3	30	ECU1-D0802P-BCR3	30	LCU1-D0803P-BCR3

Connecting cable:
 M8 female pico-style,screw locking,with moulded cable.

approx.25 g
