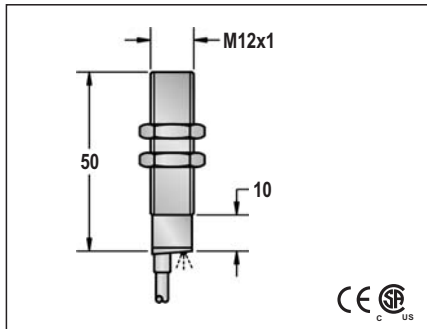


DC INDUCTIVE PLASTIC HOUSING PROXIMITY SWITCH

M 12	
●	○
2 mm	4 mm
PBT RESIN	
●	



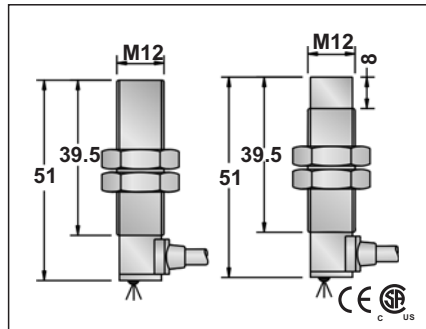
10-30VDC or 5-36VDC or 10-55VDC	
<10%	
<10mA	<20mA
200mA	
<0.01mA	
-	
-	
<1.5V or <1.0V or <2.0V	
2KHZ	1KHZ
0.1ms/0.1ms	0.2ms/0.2ms
<15%(Sr)	
<1.0%(Sr)	
IP67	
-25°C - +70°C	
<10%(Sr)	
YES	
220mA	
<10ms	
RFI>3V/m / EFT>1KV / ESD>4KV (contact)	
IEC 60947-5-2, Part 7.4.1 / IEC 60947-5-2, Part 7.4.2	
POM	

FCP1-1202N-A3U2	1	FCP2-1204N-A3U2
FCP1-1202N-B3U2	2	FCP2-1204N-B3U2
FCP1-1202P-A3U2	3	FCP2-1204P-A3U2
FCP1-1202P-B3U2	4	FCP2-1204P-B3U2
FCP1-1202P-S4U2	6	FCP2-1204P-S4U2
FCP1-1202N-S4U2	5	FCP2-1204N-S4U2
FCP1-1202C-A2U2	7	FCP2-1204C-A2U2
FCP1-1202C-B2U2	8	FCP2-1204C-B2U2
HCP1-1202N-A3U2	1	HCP2-1204N-A3U2
HCP1-1202P-A3U2	3	HCP2-1204P-A3U2
ICP1-1202N-A3U2	1	ICP2-1204N-A3U2
ICP1-1202N-B3U2	2	ICP2-1204N-B3U2
ICP1-1202P-A3U2	3	ICP2-1204P-A3U2
ICP1-1202P-B3U2	4	ICP2-1204P-B3U2

Voltage Drop: <1.5V (for Operating Volt. 10-30V)
 <1V (for Operating Volt. 5-36V)
 <2V (for Operating Volt. 10-55V)
 This applies to all models in the category of
 DC INDUCTIVE PROXIMITY SWITCH.

4φ 3x0.15
Approx.60 g

M 12	
●	○
2 mm	4 mm
PBT RESIN	
●	



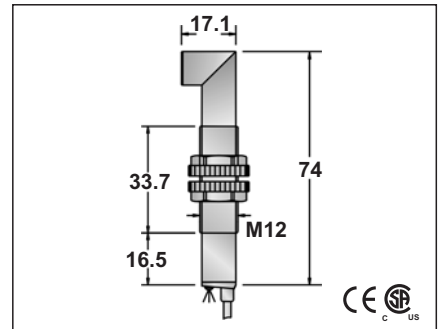
10-30VDC or 5-36VDC or 10-55VDC	
<10%	
<10mA	<20mA
200mA	
<0.01mA	
-	
-	
<1.5V or <1.0V or <2.0V	
2KHZ	1KHZ
0.1ms/0.1ms	0.2ms/0.2ms
<15%(Sr)	
<1.0%(Sr)	
IP67	
-25°C - +70°C	
<10%(Sr)	
YES	
220mA	
<10ms	
RFI>3V/m / EFT>1KV / ESD>4KV (contact)	
IEC 60947-5-2, Part 7.4.1 / IEC 60947-5-2, Part 7.4.2	
POM	PBT

FCP1-1202N-A3U2Y	1	FCP2-1204N-A3U2Y
FCP1-1202N-B3U2Y	2	FCP2-1204N-B3U2Y
FCP1-1202P-A3U2Y	3	FCP2-1204P-A3U2Y
FCP1-1202P-B3U2Y	4	FCP2-1204P-B3U2Y
FCP1-1202P-S4U2Y	6	FCP2-1204P-S4U2Y
FCP1-1202N-S4U2Y	5	FCP2-1204N-S4U2Y
FCP1-1202C-A2U2Y	7	FCP2-1204C-A2U2Y
FCP1-1202C-B2U2Y	8	FCP2-1204C-B2U2Y
HCP1-1202N-A3U2Y	1	HCP2-1204N-A3U2Y
HCP1-1202P-A3U2Y	3	HCP2-1204P-A3U2Y
ICP1-1202N-A3U2Y	1	ICP2-1204N-A3U2Y
ICP1-1202N-B3U2Y	2	ICP2-1204N-B3U2Y
ICP1-1202P-A3U2Y	3	ICP2-1204P-A3U2Y
ICP1-1202P-B3U2Y	4	ICP2-1204P-B3U2Y

Please see Page 18 for details and
 specifications of DC 2-Wire models
 on this page.

4φ 3x0.15
Approx.60 g

M 12	
●	○
2 mm	4 mm
PBT RESIN	
●	



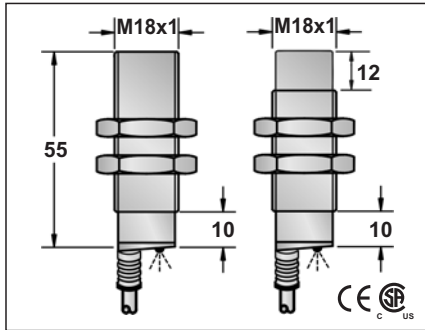
10-30VDC or 5-36VDC or 10-55VDC	
<10%	
<10mA	<20mA
200mA	
<0.01mA	
-	
-	
<1.5V or <1.0V or <2.0V	
2KHZ	1KHZ
0.1ms/0.1ms	0.2ms/0.2ms
<15%(Sr)	
<1.0%(Sr)	
IP67	
-25°C - +70°C	
<10%(Sr)	
YES	
220mA	
<10ms	
RFI>3V/m / EFT>1KV / ESD>4KV (contact)	
IEC 60947-5-2, Part 7.4.1 / IEC 60947-5-2, Part 7.4.2	
POM	

FCP1-1202N-A3U2Z	1	FCP2-1204N-A3U2Z
FCP1-1202N-B3U2Z	2	FCP2-1204N-B3U2Z
FCP1-1202P-A3U2Z	3	FCP2-1204P-A3U2Z
FCP1-1202P-B3U2Z	4	FCP2-1204P-B3U2Z
FCP1-1202P-S4U2Z	6	FCP2-1204P-S4U2Z
FCP1-1202N-S4U2Z	5	FCP2-1204N-S4U2Z
FCP1-1202C-A2U2Z	7	FCP2-1204C-A2U2Z
FCP1-1202C-B2U2Z	8	FCP2-1204C-B2U2Z
HCP1-1202N-A3U2Z	1	HCP2-1204N-A3U2Z
HCP1-1202P-A3U2Z	3	HCP2-1204P-A3U2Z
ICP1-1202N-A3U2Z	1	ICP2-1204N-A3U2Z
ICP1-1202N-B3U2Z	2	ICP2-1204N-B3U2Z
ICP1-1202P-A3U2Z	3	ICP2-1204P-A3U2Z
ICP1-1202P-B3U2Z	4	ICP2-1204P-B3U2Z

4φ 3x0.15
Approx.60 g

DC INDUCTIVE PLASTIC HOUSING PROXIMITY SWITCH

M 18	
●	○
2 mm	4 mm
PBT RESIN	
●	



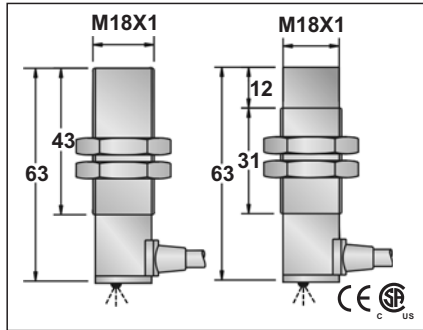
10-30VDC or 5-36VDC or 10-55VDC	
<10%	
<10mA	<20mA
200mA	
<0.01mA	
-	
<1.5V or <1.0V or <2.0V	
1KHZ	500HZ
0.2ms/0.2ms	0.5ms/0.5ms
<15%(Sr)	
<1.0%(Sr)	
IP67	
-25 °C - +70 °C	
<10%(Sr)	
YES	
220mA	
<10ms	
RFI>3V/m / EFT>1KV / ESD>4KV (contact)	
IEC 60947-5-2,Part 7.4.1 / IEC 60947-5-2,Part 7.4.2	
PBT	

FCP1-1805N-A3U2	1	FCP2-1808N-A3U2
FCP1-1805N-B3U2	2	FCP2-1808N-B3U2
FCP1-1805P-A3U2	3	FCP2-1808P-A3U2
FCP1-1805P-B3U2	4	FCP2-1808P-B3U2
FCP1-1805P-S4U2	6	FCP2-1808P-S4U2
FCP1-1805N-S4U2	5	FCP2-1808N-S4U2
FCP1-1805C-A2U2	7	FCP2-1808C-A2U2
FCP1-1805C-B2U2	8	FCP2-1808C-B2U2
HCP1-1805N-A3U2	1	HCP2-1808N-A3U2
HCP1-1805P-A3U2	3	HCP2-1808P-A3U2
ICP1-1805N-A3U2	1	ICP2-1808N-A3U2
ICP1-1805N-B3U2	2	ICP2-1808N-B3U2
ICP1-1805P-A3U2	3	ICP2-1808P-A3U2
ICP1-1805P-B3U2	4	ICP2-1808P-B3U2

Voltage Drop: <1.5V (for Operating Volt. 10-30V)
 <1V (for Operating Volt. 5-36V)
 <2V (for Operating Volt. 10-55V)
 This applies to all models in the category of
 DC INDUCTIVE PROXIMITY SWITCH.

5.0φ 44 x 0.1
Approx.135 g

M 18	
●	○
5 mm	8 mm
PBT RESIN	
●	



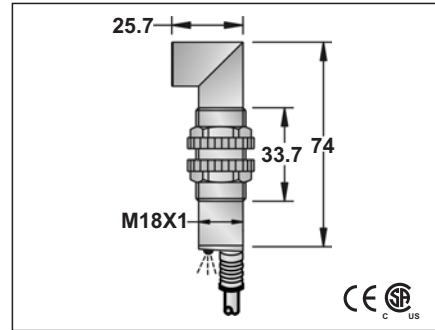
10-30VDC or 5-36VDC or 10-55VDC	
<10%	
<10mA	<20mA
200mA	
<0.01mA	
-	
<1.5V or <1.0V or <2.0V	
1KHZ	500HZ
0.2ms/0.2ms	0.5ms/0.5ms
<15%(Sr)	
<1.0%(Sr)	
IP67	
-25 °C - +70 °C	
<10%(Sr)	
YES	
220mA	
<10ms	
RFI>3V/m / EFT>1KV / ESD>4KV (contact)	
IEC 60947-5-2,Part 7.4.1 / IEC 60947-5-2,Part 7.4.2	
PBT	

FCP1-1805N-A3U2Y	1	FCP2-1808N-A3U2Y
FCP1-1805N-B3U2Y	2	FCP2-1808N-B3U2Y
FCP1-1805P-A3U2Y	3	FCP2-1808P-A3U2Y
FCP1-1805P-B3U2Y	4	FCP2-1808P-B3U2Y
FCP1-1805P-S4U2Y	6	FCP2-1808P-S4U2Y
FCP1-1805N-S4U2Y	5	FCP2-1808N-S4U2Y
FCP1-1805C-A2U2Y	7	FCP2-1808C-A2U2Y
FCP1-1805C-B2U2Y	8	FCP2-1808C-B2U2Y
HCP1-1805N-A3U2Y	1	HCP2-1808N-A3U2Y
	2	
HCP1-1805P-A3U2Y	3	HCP2-1808P-A3U2Y
ICP1-1805N-A3U2Y	1	ICP2-1808N-A3U2Y
ICP1-1805N-B3U2Y	2	ICP2-1808N-B3U2Y
ICP1-1805P-A3U2Y	3	ICP2-1808P-A3U2Y
ICP1-1805P-B3U2Y	4	ICP2-1808P-B3U2Y

Please see Page 18 for details and
 specifications of DC 2-Wire models
 on this page.

5.0φ 44x0.1
Approx.135 g

M 18	
●	○
5 mm	8 mm
PBT RESIN	
●	



10-30VDC or 5-36VDC or 10-55VDC	
<10%	
<10mA	<20mA
200mA	
<0.01mA	
-	
<1.5V or <1.0V or <2.0V	
1KHZ	500HZ
0.2ms/0.2ms	0.5ms/0.5ms
<15%(Sr)	
<1.0%(Sr)	
IP67	
-25 °C - +70 °C	
<10%(Sr)	
YES	
220mA	
<10ms	
RFI>3V/m / EFT>1KV / ESD>4KV (contact)	
IEC 60947-5-2,Part 7.4.1 / IEC 60947-5-2,Part 7.4.2	
PBT	

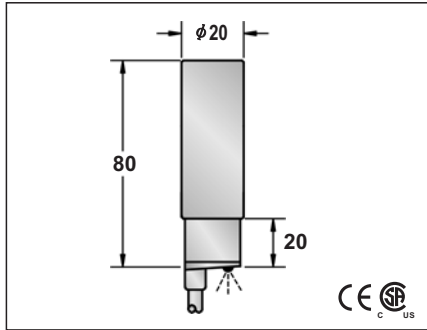
FCP1-1805N-A3U2Z	1	FCP2-1808N-A3U2Z
FCP1-1805N-B3U2Z	2	FCP2-1808N-B3U2Z
FCP1-1805P-A3U2Z	3	FCP2-1808P-A3U2Z
FCP1-1805P-B3U2Z	4	FCP2-1808P-B3U2Z
FCP1-1805P-S4U2Z	6	FCP2-1808P-S4U2Z
FCP1-1805N-S4U2Z	5	FCP2-1808N-S4U2Z
FCP1-1805C-A2U2Z	7	FCP2-1808C-A2U2Z
FCP1-1805C-B2U2Z	8	FCP2-1808C-B2U2Z
HCP1-1805N-A3U2Z	1	HCP2-1808N-A3U2Z
HCP1-1805P-A3U2Z	3	HCP2-1808P-A3U2Z
ICP1-1805N-A3U2Z	1	ICP2-1808N-A3U2Z
ICP1-1805N-B3U2Z	2	ICP2-1808N-B3U2Z
ICP1-1805P-A3U2Z	3	ICP2-1808P-A3U2Z
ICP1-1805P-B3U2Z	4	ICP2-1808P-B3U2Z

5.0φ 44x0.1
Approx.135 g

DC INDUCTIVE PLASTIC HOUSING PROXIMITY SWITCH

DC INDUCTIVE PLASTIC HOUSING PROXIMITY SWITCH

φ20
○
10 mm
PBT RESIN
●



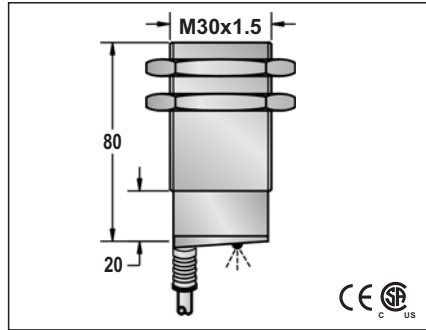
10-30VDC or 5-36VDC or 10-55VDC	
<10%	
<10mA	<20mA
200mA	
<0.01mA	
-	
-	
<1.5V or <1.0V or <2.0V	
500HZ	
0.5ms/0.5ms	
<15%(Sr)	
<1.0%(Sr)	
IP67	
-25°C - +70°C	
<10%(Sr)	
YES	
220mA	
<10ms	
RFI>3V/m / EFT>1KV / ESD>4KV (contact)	
IEC 60947-5-2,Part 7.4.1 / IEC 60947-5-2,Part 7.4.2	
POM	

FCP2-D2010N-A3U2	1
FCP2-D2010N-B3U2	2
FCP2-D2010P-A3U2	3
FCP2-D2010P-B3U2	4
FCP2-D2010C-A2U2	7
FCP2-D2010C-B2U2	8
HCP2-D2010N-A3U2	1
HCP2-D2010P-A3U2	
	4
ICP2-D2010N-A3U2	1
ICP2-D2010N-B3U2	2
ICP2-D2010P-A3U2	3
ICP2-D2010P-B3U2	4

Voltage Drop: <1.5V (for Operating Volt. 10-30V)
<1V (for Operating Volt. 5-36V)
<2V (for Operating Volt. 10-55V)
This applies to all models in the category of
DC INDUCTIVE PROXIMITY SWITCH.

5.8φ 3x0.5
Approx.153 g

M 30	
●	○
10 mm	15 mm
PBT RESIN	
●	



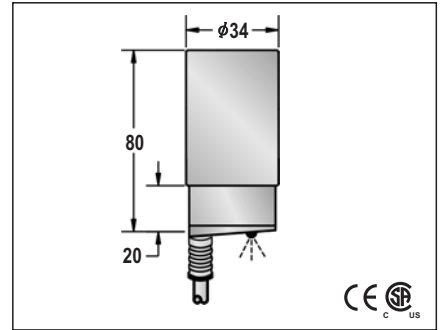
10-30VDC or 5-36VDC or 10-55VDC	
<10%	
<10mA	<20mA
200mA	
<0.01mA	
-	
-	
<1.5V or <1.0V or <2.0V	
300HZ	150HZ
0.5ms/0.5ms	1ms/1ms
<15%(Sr)	
<1.0%(Sr)	
IP67	
-25°C - +70°C	
<10%(Sr)	
YES	
220mA	
<10ms	
RFI>3V/m / EFT>1KV / ESD>4KV (contact)	
IEC 60947-5-2,Part 7.4.1 / IEC 60947-5-2,Part 7.4.2	
PBT	

FCP1-3010N-A3U2	1	FCP2-3015N-A3U2
FCP1-3010N-B3U2	2	FCP2-3015N-B3U2
FCP1-3010P-A3U2	3	FCP2-3015P-A3U2
FCP1-3010P-B3U2	4	FCP2-3015P-B3U2
FCP1-3010P-S4U2	6	FCP2-3015P-S4U2
FCP1-3010N-S4U2	5	FCP2-3015N-S4U2
FCP1-3010C-A2U2	7	FCP2-3015C-A2U2
HCP1-3010N-A3U2	1	HCP2-3015N-A3U2
HCP1-3010P-A3U2	3	HCP2-3015P-A3U2
ICP1-3010N-A3U2	1	ICP2-3015N-A3U2
ICP1-3010N-B3U2	2	ICP2-3015N-B3U2
ICP1-3010P-A3U2	3	ICP2-3015P-A3U2
ICP1-3010P-B3U2	4	ICP2-3015P-B3U2

Please see Page 18 for details and
specifications of DC 2-Wire models
on this page.

5.8φ 3x0.5
Approx.200 g

φ34
○
20 mm
PBT RESIN
●



10-30VDC or 5-36VDC or 10-55VDC	
<10%	
<10mA	<20mA
200mA	
<0.01mA	
-	
-	
<1.5V or <1.0V or <2.0V	
150HZ	
1ms/1ms	
<15%(Sr)	
<1.0%(Sr)	
IP67	
-25°C - +70°C	
<10%(Sr)	
YES	
220mA	
<10ms	
RFI>3V/m / EFT>1KV / ESD>4KV (contact)	
IEC 60947-5-2,Part 7.4.1 / IEC 60947-5-2,Part 7.4.2	
PBT	

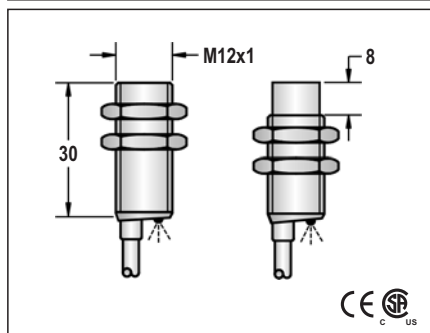
FCP2-D3420N-A3U2	1
FCP2-D3420N-B3U2	2
FCP2-D3420P-A3U2	3
FCP2-D3420P-B3U2	4
FCP2-D3420C-A2U2	7
FCP2-D3420C-B2U2	8
HCP2-D3420N-A3U2	1
HCP2-D3420P-A3U2	3
ICP2-D3420N-A3U2	1
ICP2-D3420N-B3U2	2
ICP2-D3420P-A3U2	3
ICP2-D3420P-B3U2	4

5.8φ 3x0.5
Approx.259 g

M12、M18、M30

DC INDUCTIVE PLASTIC HOUSING SHORT FORM PROXIMITY SWITCH

M 12	
●	○
2 mm	4 mm
PBT RESIN	
●	



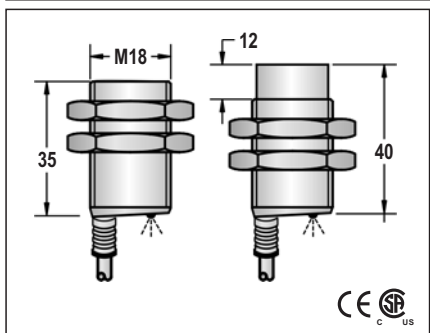
10-30VDC	
<10%	
<10mA	
200mA	
<0.01mA	
-	
<1.5V	
1KHZ	500HZ
0.2ms/0.2ms	0.5ms/0.5ms
<15%(Sr)	
<1.0%(Sr)	
IP67	
-25°C - +70°C	
<10%(Sr)	
YES	
220mA	
<10ms	
RFI>3V/m / EFT>1KV / ESD>4KV (contact)	
IEC 60947-5-2,Part 7.4.1 / IEC 60947-5-2,Part 7.4.2	
POM	PBT

FCP1-1202N-A3S2	1	FCP2-1204N-A3S2
FCP1-1202N-B3S2	2	FCP2-1204N-B3S2
FCP1-1202P-A3S2	3	FCP2-1204P-A3S2
FCP1-1202P-B3S2	4	FCP2-1204P-B3S2

Voltage Drop: <1.5V (for Operating Volt. 10-30V)
<1V (for Operating Volt. 5-36V)
<2V (for Operating Volt. 10-55V)
This applies to all models in the category of DC INDUCTIVE PROXIMITY SWITCH.

4φ 3x0.15
Approx.56 g

M 18	
●	○
5 mm	8 mm
PBT RESIN	
●	



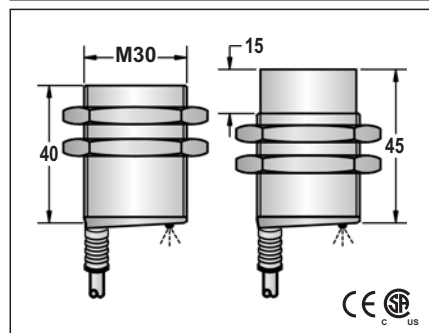
10-30VDC or 5-36VDC or 10-55VDC		
<10%		
<10mA		<20mA
200mA		
<0.01mA		
-		
<1.5V or <1.0V or <2.0V		
1KHZ	500HZ	
0.2ms/0.2ms	0.5ms/0.5ms	
<15%(Sr)		
<1.0%(Sr)		
IP67		
-25°C - +70°C		
<10%(Sr)		
YES		
220mA		
<10ms		
RFI>3V/m / EFT>1KV / ESD>4KV (contact)		
IEC 60947-5-2,Part 7.4.1 / IEC 60947-5-2,Part 7.4.2		
PBT		

FCP1-1805N-A3S2	1	FCP2-1808N-A3S2
FCP1-1805N-B3S2	2	FCP2-1808N-B3S2
FCP1-1805P-A3S2	3	FCP2-1808P-A3S2
FCP1-1805P-B3S2	4	FCP2-1808P-B3S2
FCP1-1805P-S4S2	6	FCP2-1808P-S4S2
FCP1-1805N-S4S2	5	FCP2-1808N-S4S2
FCP1-1805C-A2S2	7	FCP2-1808C-A2S2
HCP1-1805N-A3S2	1	HCP2-1808N-A3S2
HCP1-1805P-A3S2	3	HCP2-1808P-A3S2
ICP1-1805N-A3S2	1	ICP2-1808N-A3S2
ICP1-1805N-B3S2	2	ICP2-1808N-B3S2
ICP1-1805P-A3S2	3	ICP2-1808P-A3S2
ICP1-1805P-B3S2	4	ICP2-1808P-B3S2

Please see Page 18 for details and specifications of DC 2-Wire models on this page.

5.0φ 44x0.1
Approx.130 g

M 30	
●	○
10 mm	15 mm
PBT RESIN	
●	



10-30VDC or 5-36VDC or 10-55VDC		
<10%		
<10mA		<20mA
200mA		
<0.01mA		
-		
<1.5V or <1.0V or <2.0V		
300HZ	150HZ	
0.5ms/0.5ms	1ms/1ms	
<15%(Sr)		
<1.0%(Sr)		
IP67		
-25°C - +70°C		
<10%(Sr)		
YES		
220mA		
<10ms		
RFI>3V/m / EFT>1KV / ESD>4KV (contact)		
IEC 60947-5-2,Part 7.4.1 / IEC 60947-5-2,Part 7.4.2		
PBT		

FCP1-3010N-A3S2	1	FCP2-3015N-A3S2
FCP1-3010N-B3S2	2	FCP2-3015N-B3S2
FCP1-3010P-A3S2	3	FCP2-3015P-A3S2
FCP1-3010P-B3S2	4	FCP2-3015P-B3S2
FCP1-3010P-S4S2	6	FCP2-3015P-S4S2
FCP1-3010N-S4S2	5	FCP2-3015N-S4S2
FCP1-3010C-A2S2	7	FCP2-3015C-A2S2
HCP1-3010N-A3S2	1	HCP2-3015N-A3S2
HCP1-3010P-A3S2	3	HCP2-3015P-A3S2
ICP1-3010N-A3S2	1	ICP2-3015N-A3S2
ICP1-3010N-B3S2	2	ICP2-3015N-B3S2
ICP1-3010P-A3S2	3	ICP2-3015P-A3S2
ICP1-3010P-B3S2	4	ICP2-3015P-B3S2

5.8φ 3x0.5
Approx.168 g
Approx.172 g