

PART D-01 ~ D-13

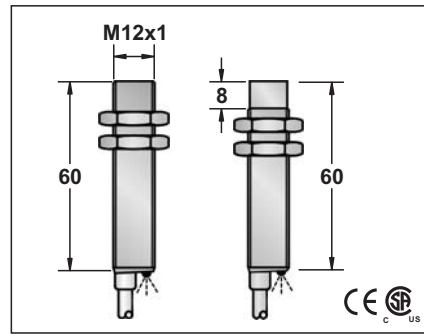
Diameter
● Shielded ○ non-Shielded
Switching Distance Sn mm
Housing Material
● With LED ○ Without LED

Dimensions (unit: mm)

Operating Voltage	20-250VAC
Ripple	-
No Load Current	<1.8mA
Max. Load Current	400mA
Leakge Current	<1.8mA
Surge Current	5A(20ms)
Min. Load Current	5mA
Voltage Drop	<8VAC AT 400mA
Switching Frequency	<25HZ
Response Time	10ms/10ms
Switching Hysteresis	<15%(Sr)
Repeat Accuracy	<1.0%(Sr)
Protection Category	IP67
Operating Temperature	-25 °C - +70 °C
Temperature Drift	<10%(Sr)
Short Circuit Protection	NO
Overload Trip Point	-
Time Delay Before Availability	-
EMC	RFI>3V/m / EFT>1KV / ESD>4KV (contact)
Shock / Vibration	IEC 60947-5-2,Part 7.4.1 / IEC 60947-5-2,Part 7.4.2
Material Active Face	POM PBT
DC 3 wire 10-30V NPN N.O.	
DC 3 wire 10-30V NPN N.C.	
DC 3 wire 10-30V PNP N.O.	
DC 3 wire 10-30V PNP N.C.	
DC 4 wire 10-30V Changeover PNP (N.O. & N.C.)	
DC 4 wire 10-30V Changeover NPN (N.O. & N.C.)	
DC 2 wire 10-60V N.O.	
DC 2 wire 10-60V N.C.	
DC 3 wire 10-55v NPN N.O. or NAMUR	
DC 3 wire 10-55v NPN N.C.	
DC 3 wire 10-55v PNP N.O.	
DC 3 wire 10-55v PNP N.C.	
AC 2 wire 20-250V N.O.	FCM1-1202A-A3L2 11 FCM2-1204A-A3L2
AC 2 wire 20-250V N.C.	FCM1-1202A-B3L2 12 FCM2-1204A-B3L2
AC 2 wire 20-250V N.O. or N.C. Changeable	
AC/DC 2 wire 20-250V N.O.	
AC/DC 2 wire 20-250V N.C.	
AC/DC 2 wire 20-250V N.O. or N.C. Changeable	
Remark	
Cable 2M (PVC)	4 φ 3x0.34
Weight	Approx.77 g Approx.76 g

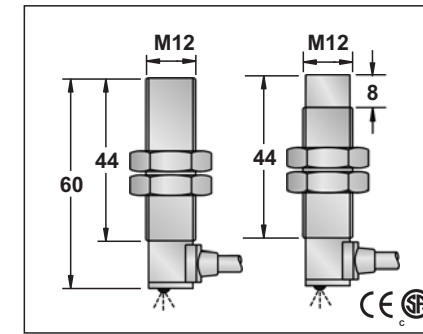
AC INDUCTIVE PROXIMITY SWITCH

M 12	
●	○
2 mm	4 mm
stainless steel or nickel plated brass	
●	



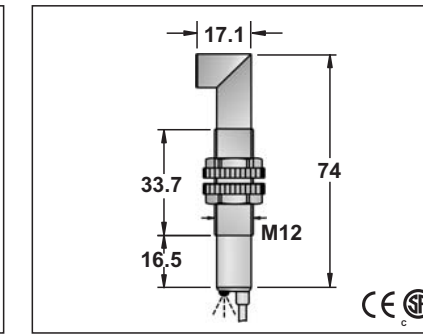
Operating Voltage	20-250VAC
Ripple	-
No Load Current	<1.8mA
Max. Load Current	400mA
Leakge Current	<1.8mA
Surge Current	5A(20ms)
Min. Load Current	5mA
Voltage Drop	<8VAC AT 400mA
Switching Frequency	<25HZ
Response Time	10ms/10ms
Switching Hysteresis	<15%(Sr)
Repeat Accuracy	<1.0%(Sr)
Protection Category	IP67
Operating Temperature	-25 °C - +70 °C
Temperature Drift	<10%(Sr)
Short Circuit Protection	NO
Overload Trip Point	-
Time Delay Before Availability	-
EMC	RFI>3V/m / EFT>1KV / ESD>4KV (contact)
Shock / Vibration	IEC 60947-5-2,Part 7.4.1 / IEC 60947-5-2,Part 7.4.2
Material Active Face	POM PBT
DC 3 wire 10-30V NPN N.O.	
DC 3 wire 10-30V NPN N.C.	
DC 3 wire 10-30V PNP N.O.	
DC 3 wire 10-30V PNP N.C.	
DC 4 wire 10-30V Changeover PNP (N.O. & N.C.)	
DC 4 wire 10-30V Changeover NPN (N.O. & N.C.)	
DC 2 wire 10-60V N.O.	
DC 2 wire 10-60V N.C.	
DC 3 wire 10-55v NPN N.O. or NAMUR	
DC 3 wire 10-55v NPN N.C.	
DC 3 wire 10-55v PNP N.O.	
DC 3 wire 10-55v PNP N.C.	
AC 2 wire 20-250V N.O.	FCM1-1202A-A3L2 11 FCM2-1204A-A3L2
AC 2 wire 20-250V N.C.	FCM1-1202A-B3L2 12 FCM2-1204A-B3L2
AC 2 wire 20-250V N.O. or N.C. Changeable	
AC/DC 2 wire 20-250V N.O.	
AC/DC 2 wire 20-250V N.C.	
AC/DC 2 wire 20-250V N.O. or N.C. Changeable	
Remark	
Cable 2M (PVC)	4 φ 3x0.34
Weight	Approx.77 g Approx.76 g

M 12	
●	○
2 mm	4 mm
stainless steel or nickel plated brass	
●	



Operating Voltage	20-250VAC
Ripple	-
No Load Current	<1.8mA
Max. Load Current	400mA
Leakge Current	<1.8mA
Surge Current	5A(20ms)
Min. Load Current	5mA
Voltage Drop	<8VAC AT 400MA
Switching Frequency	<25HZ
Response Time	10ms/10ms
Switching Hysteresis	<15%(Sr)
Repeat Accuracy	<1.0%(Sr)
Protection Category	IP67
Operating Temperature	-25 °C - +70 °C
Temperature Drift	<10%(Sr)
Short Circuit Protection	NO
Overload Trip Point	-
Time Delay Before Availability	-
EMC	RFI>3V/m / EFT>1KV / ESD>4KV (contact)
Shock / Vibration	IEC 60947-5-2,Part 7.4.1 / IEC 60947-5-2,Part 7.4.2
Material Active Face	POM PBT
DC 3 wire 10-30V NPN N.O.	
DC 3 wire 10-30V NPN N.C.	
DC 3 wire 10-30V PNP N.O.	
DC 3 wire 10-30V PNP N.C.	
DC 4 wire 10-30V Changeover PNP (N.O. & N.C.)	
DC 4 wire 10-30V Changeover NPN (N.O. & N.C.)	
DC 2 wire 10-60V N.O.	
DC 2 wire 10-60V N.C.	
DC 3 wire 10-55v NPN N.O. or NAMUR	
DC 3 wire 10-55v NPN N.C.	
DC 3 wire 10-55v PNP N.O.	
DC 3 wire 10-55v PNP N.C.	
AC 2 wire 20-250V N.O.	FCM1-1202A-A3L2Y 11 FCM2-1204A-A3L2Y
AC 2 wire 20-250V N.C.	FCM1-1202A-B3L2Y 12 FCM2-1204A-B3L2Y
AC 2 wire 20-250V N.O. or N.C. Changeable	
AC/DC 2 wire 20-250V N.O.	
AC/DC 2 wire 20-250V N.C.	
AC/DC 2 wire 20-250V N.O. or N.C. Changeable	
Remark	
Cable 2M (PVC)	4 φ 3x0.34
Weight	Approx.77 g Approx.76 g

M 12	
●	○
2 mm	4 mm
stainless steel or nickel plated brass	
●	

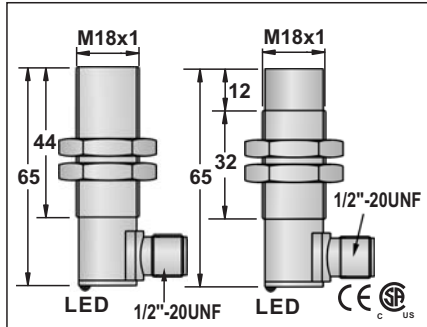


Operating Voltage	20-250VAC
Ripple	-
No Load Current	<1.8mA
Max. Load Current	400mA
Leakge Current	<1.8mA
Surge Current	5A(20ms)
Min. Load Current	5mA
Voltage Drop	<8VAC AT 400MA
Switching Frequency	<25HZ
Response Time	10ms/10ms
Switching Hysteresis	<15%(Sr)
Repeat Accuracy	<1.0%(Sr)
Protection Category	IP67
Operating Temperature	-25 °C - +70 °C
Temperature Drift	<10%(Sr)
Short Circuit Protection	NO
Overload Trip Point	-
Time Delay Before Availability	-
EMC	RFI>3V/m / EFT>1KV / ESD>4KV (contact)
Shock / Vibration	IEC 60947-5-2,Part 7.4.1 / IEC 60947-5-2,Part 7.4.2
Material Active Face	POM
DC 3 wire 10-30V NPN N.O.	
DC 3 wire 10-30V NPN N.C.	
DC 3 wire 10-30V PNP N.O.	
DC 3 wire 10-30V PNP N.C.	
DC 4 wire 10-30V Changeover PNP (N.O. & N.C.)	
DC 4 wire 10-30V Changeover NPN (N.O. & N.C.)	
DC 2 wire 10-60V N.O.	
DC 2 wire 10-60V N.C.	
DC 3 wire 10-55v NPN N.O. or NAMUR	
DC 3 wire 10-55v NPN N.C.	
DC 3 wire 10-55v PNP N.O.	
DC 3 wire 10-55v PNP N.C.	
AC 2 wire 20-250V N.O.	FCM1-1202A-A3L2Z 11 FCM2-1204A-A3L2Z
AC 2 wire 20-250V N.C.	FCM1-1202A-B3L2Z 12 FCM2-1204A-B3L2Z
AC 2 wire 20-250V N.O. or N.C. Changeable	
AC/DC 2 wire 20-250V N.O.	
AC/DC 2 wire 20-250V N.C.	
AC/DC 2 wire 20-250V N.O. or N.C. Changeable	
Remark	
Cable 2M (PVC)	4 φ 3x0.34
Weight	Approx.77 g Approx.76 g

AC INDUCTIVE PROXIMITY SWITCH CONNECTOR TYPE

AC INDUCTIVE PROXIMITY SWITCH CONNECTOR TYPE

M 18	
●	○
5 mm	8 mm
stainless steel or nickel plated brass	

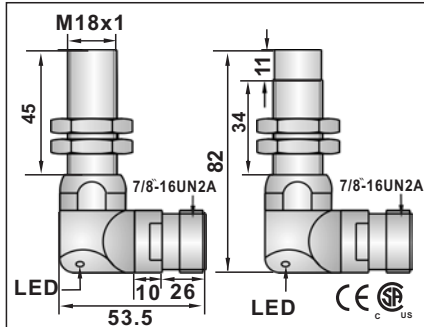


20-250VAC	
-	
<1.8mA	
400mA	
<1.8mA	
5A(20ms)	
5mA	
<8VAC AT 400MA	
<25HZ	
10ms/10ms	
<15%(Sr)	
<1.0%(Sr)	
IP67	
-25°C - +70°C	
<10%(Sr)	
NO	
-	
-	
RFI>3V/m / EFT>1KV / ESD>4KV (contact)	
IEC 60947-5-2,Part 7.4.1 / IEC 60947-5-2,Part 7.4.2	
PBT	

FCM1-1805A-AUL3Y	56	FCM2-1808A-AUL3Y
FCM1-1805A-BUL3Y	56	FCM2-1808A-BUL3Y

Approx.69 g		Approx.68 g	
-------------	--	-------------	--

M 18	
●	○
5 mm	8 mm
stainless steel or nickel plated brass	

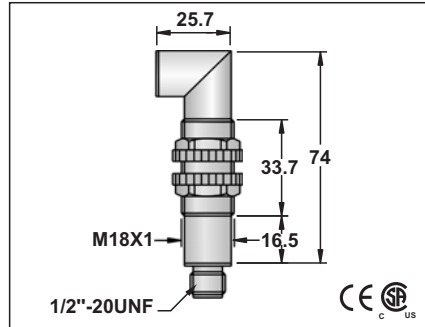


20-250VAC	
-	
<1.8mA	
400mA	
<1.8mA	
5A(20ms)	
5mA	
<8VAC AT 400MA	
<25HZ	
10ms/10ms	
<15%(Sr)	
<1.0%(Sr)	
IP67	
-25°C - +70°C	
<10%(Sr)	
NO	
-	
-	
RFI>3V/m / EFT>1KV / ESD>4KV (contact)	
IEC 60947-5-2,Part 7.4.1 / IEC 60947-5-2,Part 7.4.2	
PBT	

FCM1-1805A-AZL3Y	56	
FCM1-1805A-BZL3Y	56	

FCM*-*****-*Z**Y			
└─ Z= 7/8"-16UN2A			
U= 1/2"-20UNF			
Approx.251 g		Approx.283 g	

M 18	
●	○
5 mm	8 mm
stainless steel or nickel plated brass	



20-250VAC	
-	
<1.8mA	
400mA	
<1.8mA	
5A(20ms)	
5mA	
<8VAC AT 400MA	
<25HZ	
10ms/10ms	
<15%(Sr)	
<1.0%(Sr)	
IP67	
-25°C - +70°C	
<10%(Sr)	
NO	
-	
-	
RFI>3V/m / EFT>1KV / ESD>4KV (contact)	
IEC 60947-5-2,Part 7.4.1 / IEC 60947-5-2,Part 7.4.2	
PBT	

FCM1-1805A-AUL3Z	56	FCM2-1808A-AUL3Z
FCM1-1805A-BUL3Z	56	FCM2-1808A-BUL3Z

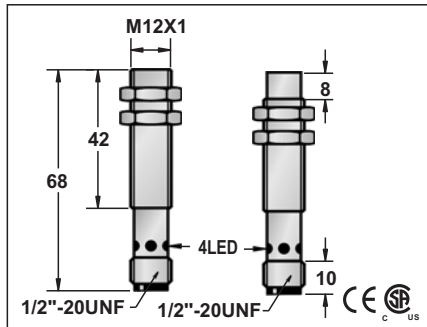
Approx.69 g		Approx.68 g	
-------------	--	-------------	--

M12、M18

AC INDUCTIVE PLASTIC HOUSING PROXIMITY SWITCH CONNECTOR TYPE

AC INDUCTIVE PLASTIC HOUSING PROXIMITY SWITCH CONNECTOR TYPE

M 12	
●	○
2 mm	4 mm
PBT RESIN	
●	

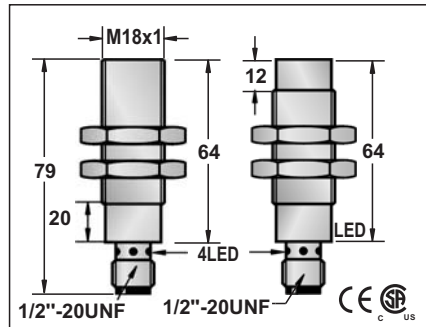


20-250VAC	
-	
<1.8mA	
400mA	
<1.8mA	
5A(20ms)	
5mA	
<8VAC AT 400MA	
<25HZ	
10ms/10ms	
<15%(Sr)	
<1.0%(Sr)	
IP67	
-25 °C - +70 °C	
<10%(Sr)	
NO	
-	
-	
RFI>3V/m / EFT>1KV / ESD>4KV (contact)	
IEC 60947-5-2,Part 7.4.1 / IEC 60947-5-2,Part 7.4.2	
POM	PBT

FCP1-1202A-AUL3	58	FCP2-1204A-AUL3
FCP1-1202A-BUL3	58	FCP2-1204A-BUL3

Approx.14 g

M 18	
●	○
5 mm	8 mm
PBT RESIN	
●	

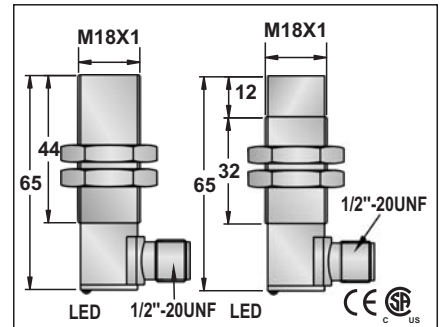


20-250VAC	
-	
<1.8mA	
400mA	
<1.8mA	
5A(20ms)	
5mA	
<8VAC AT 400MA	
<25HZ	
10ms/10ms	
<15%(Sr)	
<1.0%(Sr)	
IP67	
-25 °C - +70 °C	
<10%(Sr)	
NO	
-	
-	
RFI>3V/m / EFT>1KV / ESD>4KV (contact)	
IEC 60947-5-2,Part 7.4.1 / IEC 60947-5-2,Part 7.4.2	
PBT	

FCP1-1805A-AUL3	58	FCP2-1808A-AUL3
FCP1-1805A-BUL3	58	FCP2-1808A-BUL3

Approx.80 g

M 18	
●	○
5 mm	8 mm
PBT RESIN	
●	



20-250VAC	
-	
<1.8mA	
400mA	
<1.8mA	
5A(20ms)	
5mA	
<8VAC AT 400MA	
<25HZ	
10ms/10ms	
<15%(Sr)	
<1.0%(Sr)	
IP67	
-25 °C - +70 °C	
<10%(Sr)	
NO	
-	
-	
RFI>3V/m / EFT>1KV / ESD>4KV (contact)	
IEC 60947-5-2,Part 7.4.1 / IEC 60947-5-2,Part 7.4.2	
PBT	

FCP1-1805A-AUL3Y	58	FCP2-1808A-AUL3Y
FCP1-1805A-BUL3Y	58	FCP2-1808A-BUL3Y

Approx.80 g

M18、 ϕ 20、M30

AC INDUCTIVE PLASTIC HOUSING PROXIMITY SWITCH CONNECTOR TYPE

AC INDUCTIVE PLASTIC HOUSING PROXIMITY SWITCH CONNECTOR TYPE

M 18	
5 mm	8 mm
PBT RESIN	

20-250VAC
-
<1.8mA
400mA
<1.8mA
5A(20ms)
5mA
<8VAC AT 400MA
<25HZ
10ms/10ms
<15%(Sr)
<1.0%(Sr)
IP67
-25 °C - +70 °C
<10%(Sr)
NO
-
-
RFI>3V/m / EFT>1KV / ESD>4KV (contact)
IEC 60947-5-2, Part 7.4.1 / IEC 60947-5-2, Part 7.4.2
PBT

FCP1-1805A-AUL3Z	58	FCP2-1808A-AUL3Z
FCP1-1805A-BUL3Z	58	FCP2-1808A-BUL3Z

Approx.14 g

ϕ 20	
8 mm	12 mm
PBT RESIN	

20-250VAC
-
<1.8mA
400mA
<1.8mA
5A(20ms)
5mA
<8VAC AT 400MA
<25HZ
10ms/10ms
<15%(Sr)
<1.0%(Sr)
IP67
-25 °C - +70 °C
<10%(Sr)
NO
-
-
RFI>3V/m / EFT>1KV / ESD>4KV (contact)
IEC 60947-5-2, Part 7.4.1 / IEC 60947-5-2, Part 7.4.2
PBT

Approx.90 g

M 30	
10 mm	15 mm
PBT RESIN	

20-250VAC
-
<1.8mA
400mA
<1.8mA
5A(20ms)
5mA
<8VAC AT 400MA
<25HZ
10ms/10ms
<15%(Sr)
<1.0%(Sr)
IP67
-25 °C - +70 °C
<10%(Sr)
NO
-
-
RFI>3V/m / EFT>1KV / ESD>4KV (contact)
IEC 60947-5-2, Part 7.4.1 / IEC 60947-5-2, Part 7.4.2
PBT

FCP1-3010A-AUL3	58	FCP2-3015A-AUL3
FCP1-3010A-BUL3	58	FCP2-3015A-BUL3

Approx.120 g
